
项目名称

R2250-D10s pro

版本号

A00

设计时间

20220818

物料名称

说明书（欧版）

设计师

夏东波

审核

批准

料号

04170500001113

材质工艺要求：胶装

材质要求： 封面：157g 哑粉纸，单面过油；内页：68g 晨鸣云镜

颜色及专色： 灰色：K 55

尺寸要求： 成品尺寸：210*140MM

变更履历：

EN The word "dreame" is the abbreviation of Dreame Technology Co., Ltd. and its subsidiaries in China. It is the transliteration of the company's Chinese name " 追觅 ", which means striving for excellence in every endeavor and reflects the company's vision of continuous pursuit, exploration and search in technology.

DE Das Wort "dreame" ist die Abkürzung von Dreame Technology Co., Ltd und seinen Tochterunternehmen in China. Es ist die Transliteration des chinesischen Namens " 追觅 " dieser Firma, was für das Streben nach Vollendung steht und die Vision des Unternehmens widerspiegelt, nämlich im Bereich der Technologie unaufhaltsam weiterzustreben, zu erforschen und entdecken.

FR Dreame est l'abréviation de l'entreprise chinoise Dreame Technology Co. et ses filiales, qui est la traduction phonétique du nom chinois de l'entreprise, reflétant la vision de l'entreprise qui consiste à poursuivre, explorer et rechercher constamment les avancées technologiques.

IT La parola "dreame" è l'abbreviazione dell'azienda Dreame Technology Co., Ltd. e delle sue filiali in Cina. È la traslitterazione del nome cinese dell'azienda " 追觅 ", che dimostra la continua ricerca, esplorazione e visione di ricerca dell'azienda nella tecnologia.

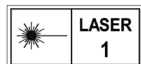
ES La palabra "dreame" es la abreviatura de Dreame Technology Co., Ltd. y sus subsidiarias en China. Es la transliteración del nombre chino de "Dreame", que significa luchar por la excelencia en cada esfuerzo y refleja la visión de la compañía de continuamente buscar, explorar e investigar en tecnologías.

RU Dreame — сокращённое название китайской компании Dreame Technology Co., Ltd. и ее дочерних предприятий. Dreame является транслитерацией названия компании на китайском языке « 追觅 », в котором отражено корпоративное видение компании в сфере науки и технологий — непрерывный поиск, исследования и стремление к успеху.

PL Słowo "dreame" to skrót od Dreame Technology Co., Ltd. i spółek w Chinach. Jest to transliteracja chińskiej nazwy firmy " 追觅 " co oznacza dążenie do doskonałości w każdym przedsięwzięciu, odzwierciedlając wizję firmy, jaką jest ciągłe prowadzenie, odkrywanie i poszukiwania w nauce i technologii.

HE Dreame הינו שמו המקוצר של החברה הסינית Dreame Technology Co., Ltd. and its subsidiaries. זהו תעתיק המבוסס על צליל השם הסיני " 追觅 " וממחיש בתוכו את חזון החברה לחפש ולדרוף באופן בלתי פוסק בתחום הטכנולוגיה.

SA دريم هي مؤسسة صينية ويطلق على شركة دريم للتكنولوجيا المحدودة والشركات التابعة لها، وتعكس الترجمة الصوتية للمسمى الصيني " 追觅 " رؤية الشركة للسعي المستمر والاستكشاف والبحث في التكنولوجيا.



For more support, contact us via aftersales@dreame.tech

Website: <https://global.dreame.tech>

Manufactured by: Dreame Trading (Tianjin) Co., Ltd.

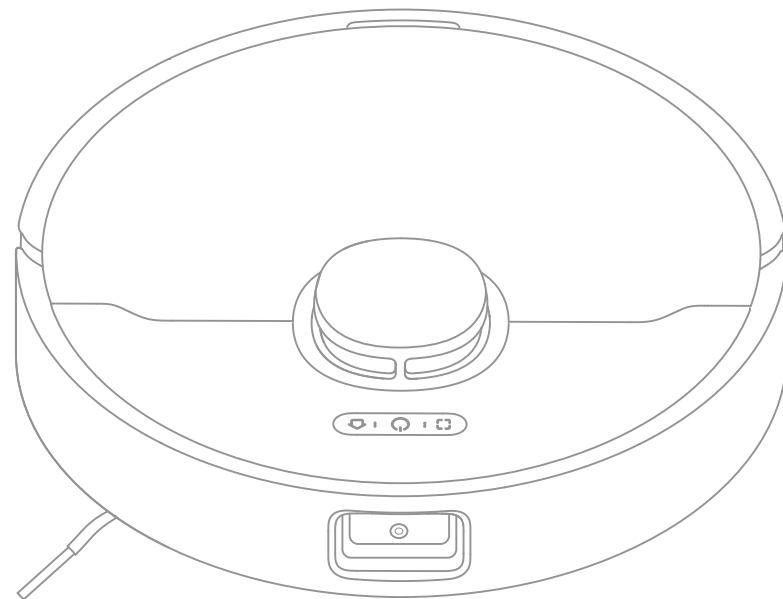
Made in China



RLS6A-EU-A00
08/2022

DreameBot D10s Pro

Robot Vacuum and Mop User Manual



The illustrations in this manual are for reference only. Please refer to the actual product.

dreame

Contents

EN	User Manual	1
DE	Benutzerhandbuch	22
FR	Manuel d'utilisation	44
IT	Manuale utente	65
ES	Manual de usuario	86
RU	Инструкция по эксплуатации	107
PL	Instrukcja obsługi	129
HE	מדריך למשתמש	150
SA	دليل الاستخدام	170

Safety Information

To avoid electric shock, fire or injury caused by improper use of the appliance, please read the user manual carefully before using the appliance and keep it for future reference.

Usage Restrictions

- This product should not be used by children younger than 8 years old nor persons with physical, sensory, intellectual deficiencies, or limited experience or knowledge without the supervision of a parent or guardian to ensure safe operation and to avoid any risks. Cleaning and maintenance shall not be performed by children without supervision.
- Children shall not play with this product. Ensure children and pets are kept at a safe distance from the robot while it is operating.
- If the power cord becomes damaged or broken, stop using it immediately and contact after-sales service.
- This product is for floor cleaning in a home environment only. Do not use it outdoors, on non-floor surfaces, or in a commercial or industrial setting.
- Do not use the robot in an area suspended above ground level without a protective barrier.
- Do not place the robot upside down. Do not use the LDS cover, robot cover, or bumper as a handle for the robot.
- Do not use the robot at an ambient temperature above 40° C or below 0° C or on a floor with liquids or sticky substances.
- Pick up any cables from the floor before using the robot to prevent it from dragging them while cleaning.
- Remove fragile or small items from the floor to prevent the robot from bumping into and damaging them.

Safety Information

Usage Restrictions

- Keep hair, fingers, and other body parts away from the suction opening of the robots.
- To prevent damage or harm from dragging, clear any loose objects from the floor, and remove cables or power cords on the cleaning path before operating the appliance.
- Keep the brush cleaning tool out of reach of children.
- Do not place children, pets, or any item on top of the robot regardless of whether it is stationary or moving.
- Do not use the robot to clean any burning objects. Do not use the robot to pick up flammable or combustible liquids, corrosive gases, or undiluted acids or solvents.
- Do not vacuum hard or sharp objects. Do not use the appliance to pick up objects such as stones, large pieces of paper or any item that may clog the appliance.
- Make sure the robot is turned off and the charging dock is unplugged before cleaning or performing maintenance.
- Do not use a wet cloth to wipe or any liquid to rinse the robot and charging dock. Washable parts must be dried completely before installing and using them.
- Make sure the robot is turned off when being transported and kept in its original packaging if possible.
- Please use this product in accordance with the instructions in the User Manual. Users are responsible for any loss or damage that arise from improper use of this product.

Batteries and Charging

- Do not use any third-party battery, power cord, or charging dock. Use only with RCS0 supply unit.
- Do not attempt to disassemble, repair, or modify the battery or charging dock on your own.

Safety Information

Batteries and Charging

- Do not place the charging dock near a heat source.
- Do not use a wet cloth or wet hands to wipe or clean the dock's charging contacts.
- Do not improperly dispose of old batteries. Unneeded batteries should be discarded at an appropriate recycling facility.
- If the robot will not be used for an extended period, fully charge it, then turn it off and store in a cool, dry place. Recharge the robot at least once every 3 months to avoid over-discharging the battery.
- This product contains batteries that can only be replaced by qualified technicians or after-sales service.

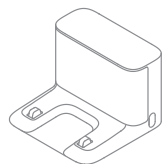
Laser Safety Information

- The laser sensor in this product meets the IEC 60825-1: 2014 Standard for Class 1 laser products. Please avoid direct eye contact with it during use.

Hereby, Dreame Trading (Tianjin) Co., Ltd. declares that the radio equipment type RL56A is in compliance with Directive 2014/53/EU. The full text of the EU declaration of conformity is available at the following internet address: <https://global.dreametech.com>
For detailed e-manual, please go to <https://global.dreametech.com/pages/user-manuals-and-faqs>

Product Overview

Accessories



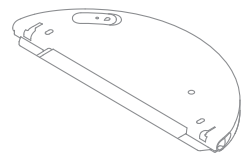
Charging Dock



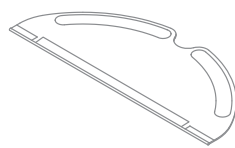
Cleaning Tool



Power Cord



Water Tank



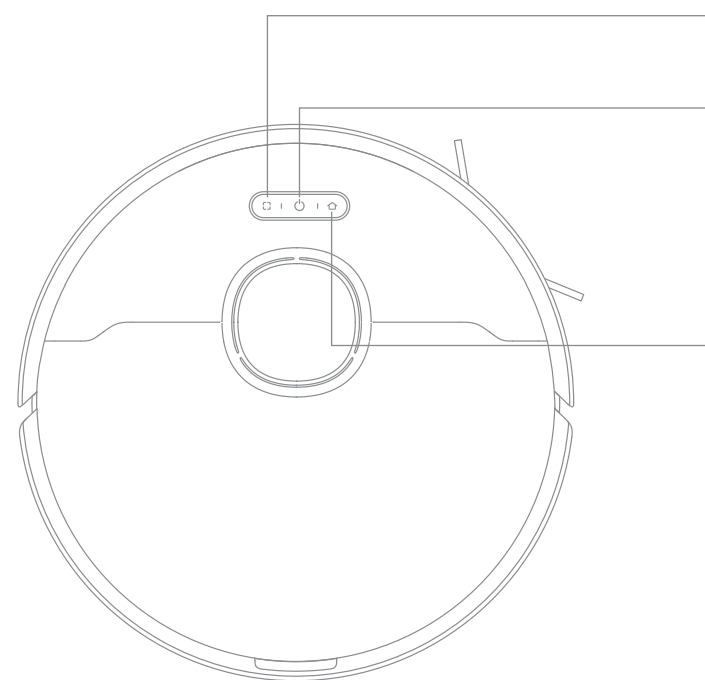
Mop Pad



Side Brush

Product Overview

Robot



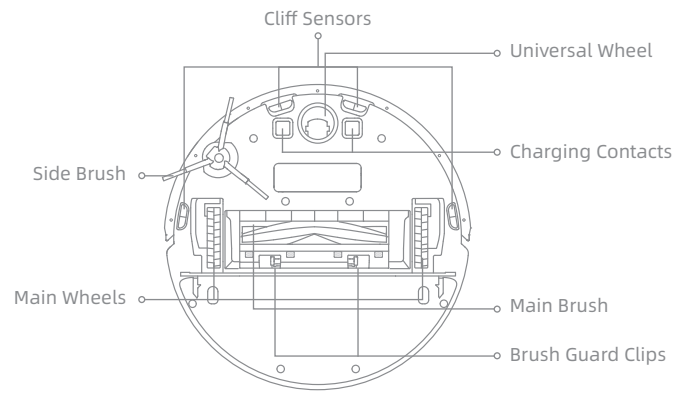
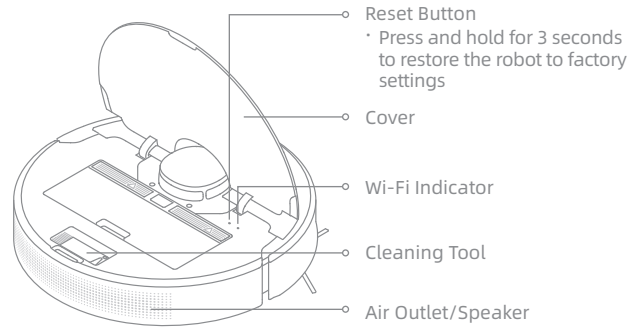
- Spot Cleaning Button
 - Press briefly to start spot cleaning
- Power/Clean Button
 - Press and hold for 3 seconds to turn on or off
 - Press briefly to start cleaning after the robot is turned on

- Dock Button
 - Press to send robot back to the charging dock
 - Press and hold for 3 seconds to disable Child Lock

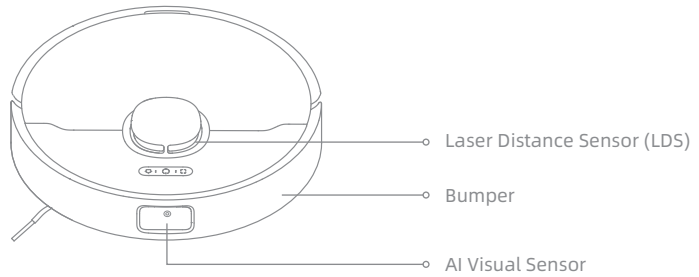
- Status Indicator
- Solid white: Cleaning or cleanup is completed
 - Blinking Orange: Error
 - Solid blue: Camera monitoring enabled

Product Overview

Robot

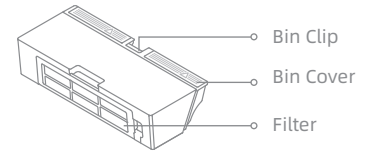


Robot Sensors

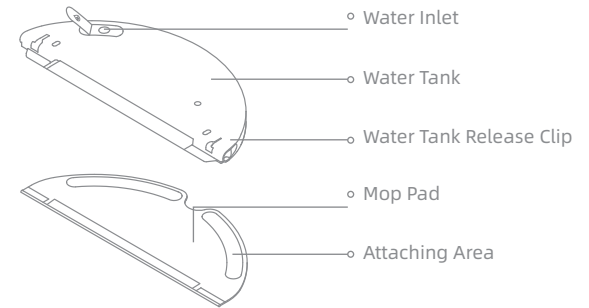


Product Overview

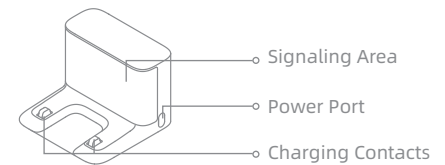
Dust Bin



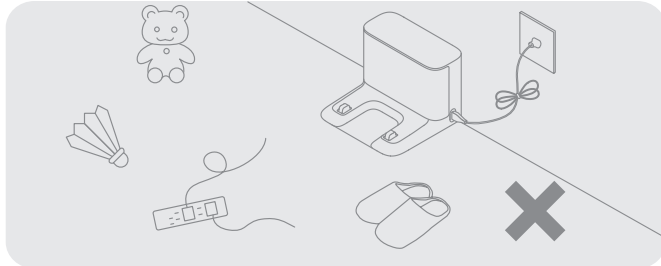
Mopping Module



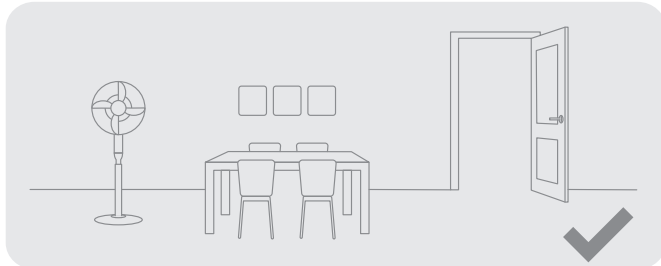
Charging Dock



Preparing Your Home



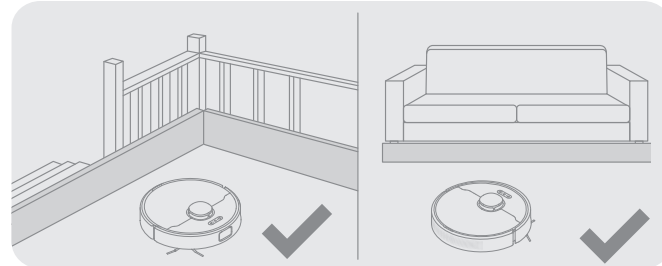
Tidy up items such as power cords, cloths, slippers, and toys to improve the efficiency of the robot.



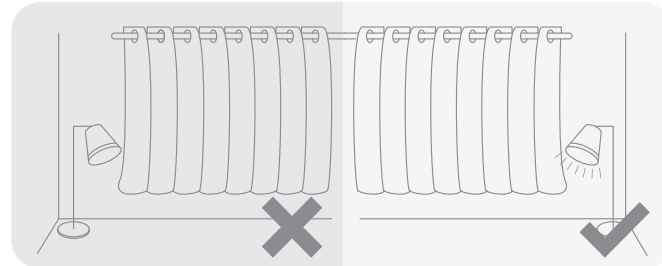
Open the door of the room to be cleaned, and put the furniture in its proper place to leave more space.

Note:

- When operating the robot for the first time, follow it around while cleaning to remove any potential obstacles in time.
- To prevent the robot from not recognizing areas that need to be cleaned, do not stand in front of the robot, threshold, hallway, or narrow places.



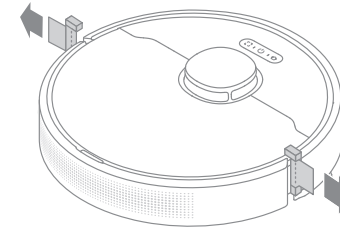
Before cleaning, place a physical barrier at the edge of the stairs and sofa to ensure the secure and smooth operations of the robot.



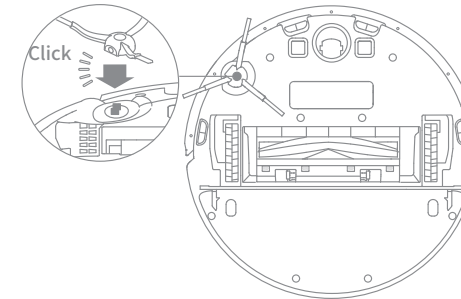
With the AI visual sensor, the robot can better recognize and avoid obstacles such as power cords, shoes, and socks, to get the most out of the AI visual sensor, make sure that all areas to be cleaned are well-lit.

Before Use

1. Remove the protective strips



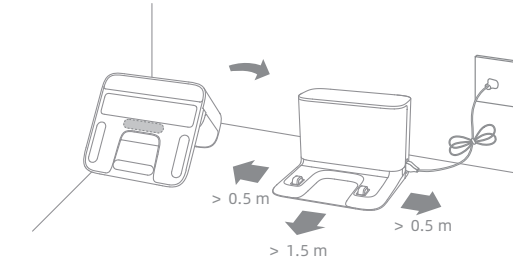
2. Install the side brush



Note: Install the side brush until it clicks into place.

3. Set up the charging dock

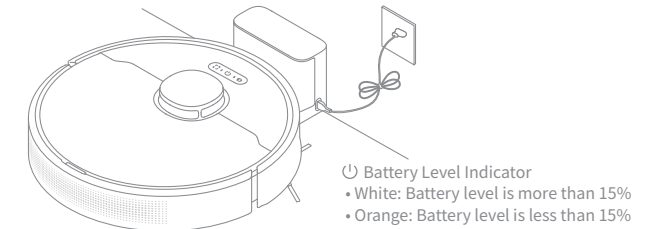
Stick the double-sided tape at the bottom of the charging dock, then place the dock on the level ground against the wall and connect it to a power outlet.



Note:

- Keep the immediate area 1.5m in front of the charger and 0.5m to both sides of the charging dock clear of objects.
- To ensure you can connect to the robot with your phone well, make sure the robot and charging dock are within Wi-Fi range.
- Do not place the charging dock in an area with direct sunlight or where other objects might block the signal, as this may hinder the robot from returning to the charging dock.
- Use of the double-sided tape depends on your need.
- Please clean the floor area where the charging dock will be placed with a dry rag.
- If necessary, remove the double-sided tape slowly to reduce adhesive residue.

4. Place the robot onto the charging dock to charge



Note:

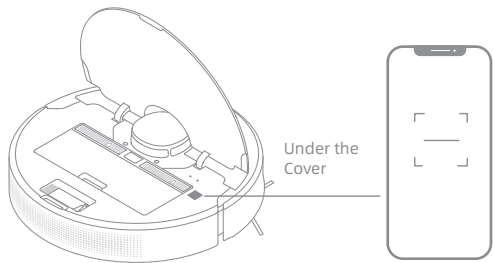
- Fully charging is recommended before first-time use.
- Do not install the mopping module while charging. Be extra careful with the wet mop as it can damage the floor.

Connecting with Dreamehome App

This product works with the Dreamehome app, which can be used to control your device.

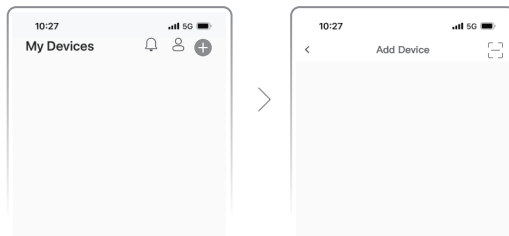
1. Download the Dreamehome App

Scan the QR code on the robot, or search "Dreamehome" in the app store to download and install the app based on your needs.



2. Add Device

Open the Dreamehome app, tap "+" in the upper right, and then scan the QR code above again to add "DreameBot D10s Pro". Please follow the prompts to finish the Wi-Fi connection.

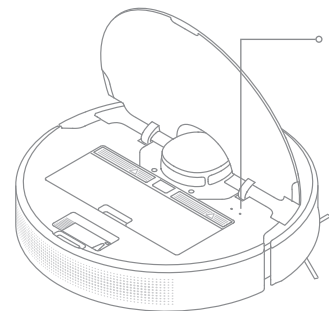


Note:

- Only 2.4 GHz Wi-Fi networks are supported.
- Due to upgrades in the app software, the actual operations may be different from the statements in this manual. Please follow the instructions based on the current app version.

3. Reset Wi-Fi

Simultaneously press and hold the buttons and until you hear a voice say, "Waiting for the network configuration." Once the Wi-Fi indicator is blinking slowly, the Wi-Fi has been successfully reset.



Wi-Fi Indicator

- Blinking slowly: To be connected
- Blinking quickly: Connecting
- On: Connected

Note: If your robot cannot connect to the app successfully, reset the Wi-Fi and add the device again.

How to Use

1. Fast Mapping

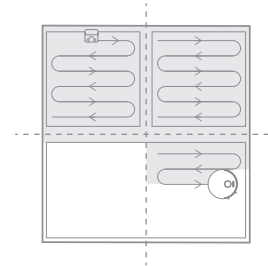
After configuring the network for the first time, follow the instructions on the app to quickly create a map, and the robot will start mapping without cleaning. The mapping process will be completed when the robot returns to the charging dock, and the map will be saved automatically.

2. Turn On/Of

Press and hold the button for 3 seconds to turn on the robot. The power indicator should be illuminated. Place the robot onto the charging dock, the robot should turn on automatically and begin charging. To turn off the robot, move the robot away from the dock and press and hold the button for 3 seconds.

3. Start Cleaning

Press the button briefly to start cleaning after the robot is turned on. The robot will accurately map out a route, methodically clean along the edges and walls, then finish by cleaning each room in an S-shaped pattern to ensure a thorough job.



Note: Before a cleaning task, make sure the robot starts from the charging dock. Do not move the charging dock while the robot is cleaning.

4. Pause/Sleep

When the robot is running, press any button to pause it. If the robot is paused for more than 10 minutes, it automatically enters sleep mode. All indicators on the robot will turn off. Press any button on the robot, or use the app to wake up the robot.

Note:

- The robot will turn off automatically if left in Sleep Mode for more than 12 hours.
- When the robot is paused, placing it onto the charging dock will end the current cleaning task.

5. Do Not Disturb (DND) Mode

When the robot is set to the Do Not Disturb (DND) mode, the robot will be prevented from resuming cleaning and the power indicator goes out. The DND mode is disabled by default at the factory. You can use the app to enable the DND mode or modify the DND period. The DND period is 22:00-8:00 by default.

Note:

- The scheduled cleaning tasks will be performed on time during the DND period.
- The robot will resume cleanup where it left off after the DND period expires.

6. Spot Cleaning

When the robot is on standby, press briefly the button to enable the spot cleaning mode. In this mode, the robot cleans a square-shaped area of 1.5 × 1.5 meters around it and returns to its starting point once the spot cleaning is completed.

How to Use

7. Scheduled Cleaning

You can schedule cleaning time in the Dreamehome app. The robot will automatically start cleaning at the designated time and then return to the charging dock to recharge when the cleaning is done.

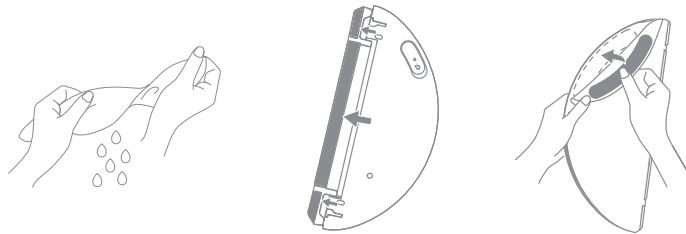
8. Additional App Functions

Follow the instructions on the app interface to use more functions. The version of the app might have been updated; please follow the instructions based on the current app version.

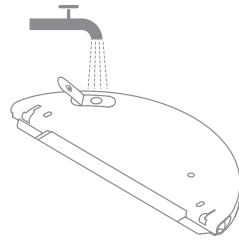
9. Use the Mopping Function

It is recommended that all floors are vacuumed at least three times before the first mopping session to achieve a better cleaning effect.

1) Dampen the mop pad and wring out excess water. Install the mop pad as shown in the diagram.




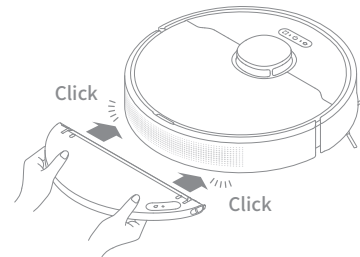
2) Fill the tank with water.



Note:

- Do not use detergent or disinfectant.
- Do not fill with hot water, which may cause distortion of the water tank.

3) Align the mopping module as indicated by the arrow, then slide it into the back of the robot until it clicks into place. Press the button  or use the Dreamehome app to start cleaning.



Note:

- It is not recommended to use the mopping function on carpets.
- Use the app to adjust the water flow as required.

Routine Maintenance

Parts

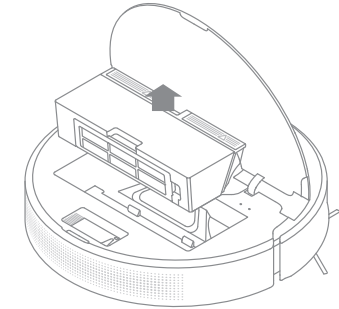
To keep the robot in good condition, it is recommended to refer to the following table for routine maintenance.

Part	Maintenance Frequency	Replacement Period
Mop pad	After each use	Every 3 to 6 months
Main brush	Once every 2 weeks	Every 6 to 12 months
Dust bin filter		Every 3 to 6 months
Side brush		
Charging dock's signaling area	Once every month	/
Charging contacts		
Universal wheel		
Laser Distance Sensor (LDS)		
AI visual sensor		
Cliff sensors		
Water tank		
Dust bin		

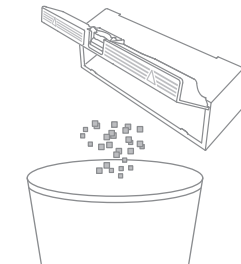
Note: The replacement frequency will depend on your usage of the robot. If an exception occurs due to special circumstances, the parts should be replaced.

Clean the Dust Bin and Filter

1. Open the robot cover and press the bin clip to remove the dust bin.

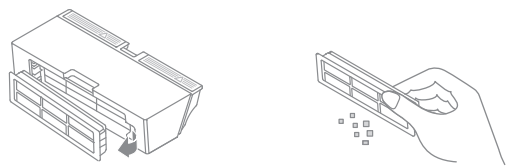


2. Open the bin cover and empty the bin as shown in the diagram.



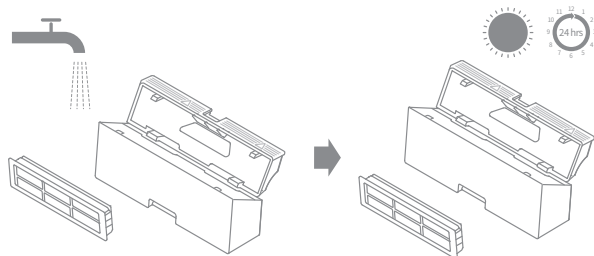
Routine Maintenance

3. Remove the filter and tap its basket gently.



Note: Do not attempt to clean the filter with a brush, a finger or sharp objects to prevent damage.

4. Rinse the dust bin and filter with water and dry them completely before reinstalling.

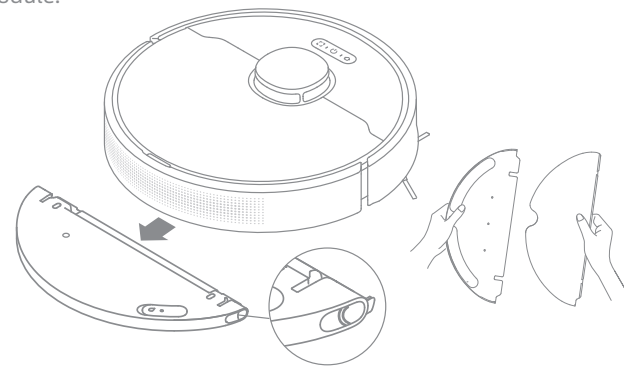


Note:

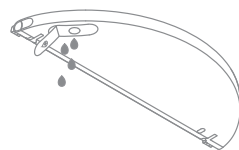
- Rinse the dust bin and filter with clean water only. Do not use any detergent.
- Use the dust bin and filter only when they are completely dry.

Clean the Mopping Module

1. Slide the two release clips on the side of water tank to remove the mopping module, and then pull the mop pad off the mopping module.



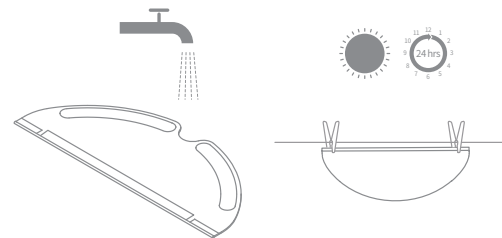
2. Pour out the water in the tank. Clean with water only and leave to air dry before re-installing.



Note: Do not expose the tank to the sun directly.

Routine Maintenance

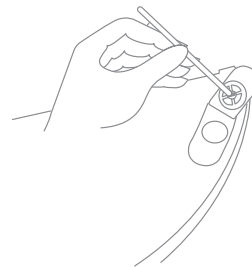
3. Clean the mop pad with water only and leave to air dry before re-installing.



Note:

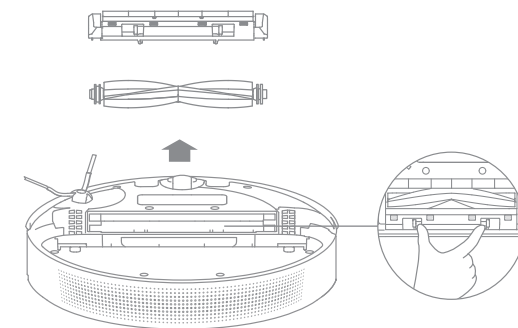
- Remove the pad from the mopping module before cleaning it, and make sure dirty water does not flow back into the water outlet to avoid clogging.

4. If slow water flow occurs, or the outflow is not well-distributed, please clean the air hole in the cover of the water tank.

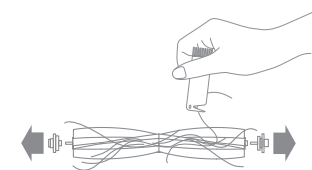


Clean the Main Brush

1. Press the brush guard clips inwards to remove the brush guard and lift the brush out of the robot.



2. Pull out the brush cover as shown in the diagram. Use the included cleaning tool to remove any hairs tangled in the brush.

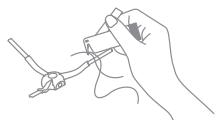


Note: Do not pull out the hair tangled in the main brush excessively. Otherwise, the brush may be damaged.

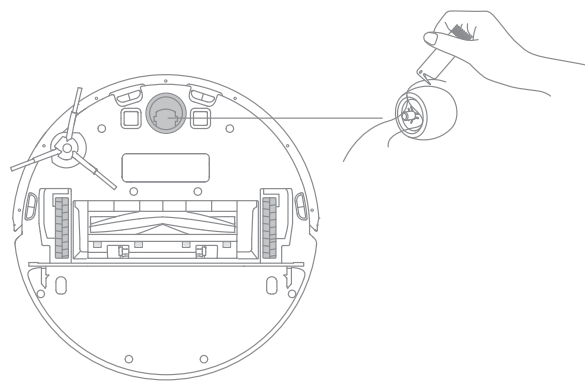
Routine Maintenance

Clean the Side Brush

Pull out the side brush and use the included cleaning tool to remove any hair tangled in the brush.



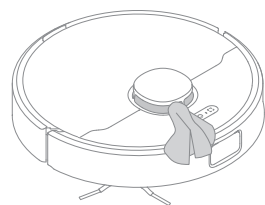
Clean the Main Wheel / Universal Wheel



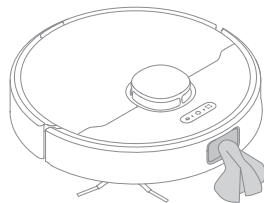
Note: Use a tool such as a small screwdriver to separate the axle and tire of the universal wheel.

Note: Wet cloths can damage sensitive elements within the robot and charging dock. Please use dry rags for cleaning.

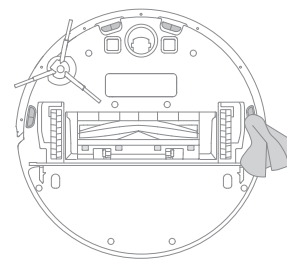
Clean the LDS Laser Sensor



Clean the AI Visual Sensor

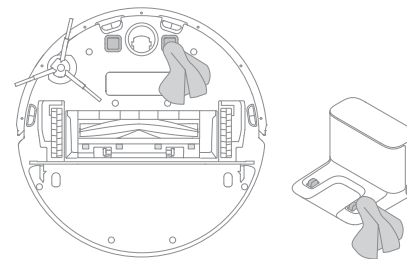


Clean the Cliff Sensor





Routine Maintenance

Clean the Charging Contacts



Robot Restarting

If the robot stops responding or cannot be turned off, press and hold down the button  for 10 seconds to forcefully turn it off. Then press and hold the button  for 3 seconds to turn the robot on.

Battery

The robot contains a high-performance lithium-ion battery pack. Please ensure that it remains well-charged for daily use to maintain optimal battery performance. If the robot is not used for an extended period of time, turn it off and put it away. To prevent damage from over-discharging, the robot should be recharged at least once every three months.

FAQ

Problem	Solution
Robot does not turn on	Battery level is low. Recharge the robot at the charging dock, then try again. The temperature of the battery is too low or too high. It is recommended to operate the appliance at a temperature between 32 °F (0°C) and 104 °F (40°C).
Robot does not recharge	The charging dock is not receiving power. Please confirm that both ends of the power cord are plugged in correctly. Poor contact. Clean the charging contacts of the charging dock and the robot.
Robot does not return to charging dock	There are too many obstructions around the charging dock. Place the charging dock in a more open area. Please clean the dock's signaling area.
Robot is malfunctioning	Turn off the robot and then reactivate it.
Robot is making a strange noise	A foreign object may be caught in the main brush, side brush, or one of the main wheels. Stop the robot and remove any debris.
Robot no longer cleans efficiently or leaves dust behind	The dust bin is full. Please clean it. The filter is blocked. Please clean it. A foreign object is caught in the main brush. Please clean it.
Robot cannot connect to Wi-Fi	There is something wrong with the Wi-Fi connection. Reset the Wi-Fi and download the latest version of the Dreamehome app, then try reconnecting. Location permission is not open. Please ensure the location permission on the Dreamehome app is enabled. Wi-Fi signal is weak. Make sure the robot is in an area with good Wi-Fi coverage. 5GHz Wi-Fi is not supported. Please ensure your robot connects to 2.4GHz Wi-Fi. The username or password of Wi-Fi is incorrect. Please enter the correct username and password.
Robot does not perform scheduled cleaning	The robot has low battery. Scheduled cleaning will not start unless the robot has at least 15% battery left.

FAQ

Problem	Solution
Does leaving the robot on the charging dock consume power if it is already fully charged?	Leaving the robot on the charging dock after it's fully charged consumes very little electricity and helps maintain optimal battery performance.
No water comes out of the water tank, or only a little bit comes out	Confirm that the water tank is filled with water, and clean the mop pad if necessary. Clean the mop pad if it becomes dirty. Make sure the mop pad is installed correctly according to the user manual. Clean the air hole on the top of the water tank.
Robot doesn't resume cleaning after charging	Make sure the robot is not set to Do Not Disturb Mode, which will prevent it from resuming cleaning. The robot does not resume cleaning when it is manually recharged or placed onto the charging dock.
Robot doesn't return to charging dock after being moved	Moving the robot may cause it to re-position itself or re-map its surroundings. If the robot is too far from the charging dock, it might not be able to automatically return on its own, in which case you need to manually place the robot onto the charging dock.

For additional services, please contact us via aftersales@dreame.tech

Website: <https://global.dreametech.com>

Specifications

Robot

Model	RLS6A
Charging Time	Approx. 6 hours
Rated Voltage	14.4 V \equiv
Rated Power	46 W
Operation Frequency	2400-2483.5 MHz
Maximum Output Power	< 20 dBm

Charging Dock

Model	RCS0
Rated Input	100-240 V~50/60 Hz 0.5 A
Rated Output	19.8 V \equiv 1 A

Under normal use of condition, this equipment should be kept a separation distance of at least 20 cm between the antenna and the body of the user.

Battery Disposal and Removal

The built-in lithium-ion battery contains substances that are hazardous to the environment. Before disposing of the battery, make sure the battery is removed by qualified technicians and discarded at an appropriate recycling facility.

- the battery must be removed from the appliance before it is scrapped;
- the appliance must be disconnected from the supply mains when removing the battery;
- the battery is to be disposed of safely.

CAUTION:

- Before removing the battery, disconnect the power and run out the battery as much as possible.
- Unneeded batteries should be discarded at an appropriate recycling facility.
- Do not expose to high temperature environment to avoid risks of explosion.
- Under abusive conditions, liquid may be ejected from the battery. If contact occurs, flush with water and seek medical help.

Removal Guide

1. Turn over the robot, use a proper tool to remove the screws on the back of the robot, and then remove the cover.
2. Unplug the terminals between the battery and PCB board to remove the battery.

WEEE Information



All products bearing this symbol are waste electrical and electronic equipment (WEEE as in directive 2012/19/EU) which should not be mixed with unsorted household waste. Instead, you should protect human health and the environment by handing over your waste equipment to a designated collection point for the recycling of waste electrical and electronic equipment, appointed by the government or local authorities. Correct disposal and recycling will help prevent potential negative consequences to the environment and human health. Please contact the installer or local authorities for more information about the location as well as terms and conditions of such collection points.

Sicherheitsinformationen

Um Stromschläge, Brände oder Verletzungen durch unsachgemäßen Gebrauch des Geräts zu vermeiden, lesen Sie bitte die Bedienungsanleitung vor dem Gebrauch sorgfältig durch und bewahren Sie sie zum späteren Gebrauch auf.

Nutzungseinschränkungen

- Um einen sicheren Betrieb zu gewährleisten und Risiken zu vermeiden, darf dieses Produkt nicht von Kindern unter 8 Jahren, von Personen mit körperlichen, sensorischen oder geistigen Einschränkungen oder von Personen mit mangelnden Kenntnissen ohne Aufsicht eines Elternteils oder Vormunds verwendet werden. Kinder dürfen die Reinigung und Wartung nicht ohne Aufsicht durchführen.
- Kinder dürfen nicht mit diesem Produkt spielen. Sorgen Sie dafür, dass Kinder und Haustiere während des Betriebs des Roboters einen sicheren Abstand zum Gerät halten.
- Wenn das Stromkabel beschädigt ist, schalten Sie das Gerät sofort aus und wenden Sie sich an den Kundendienst.
- Dieses Produkt ist nur für die Bodenreinigung in einer häuslichen Umgebung geeignet. Benutzen Sie es nicht im Freien, auf anderen Oberflächen als dem Boden oder in einer kommerziellen oder industriellen Umgebung.
- Verwenden Sie den Roboter nicht in einem Bereich, der sich über dem Bodenniveau befindet und der nicht durch eine Schutzbarriere begrenzt wird.
- Stellen Sie den Roboter nicht auf den Kopf. Verwenden Sie die LDS-Abdeckung, die Roboterabdeckung oder den Bumper nicht als Griff für den Roboter.
- Benutzen Sie den Roboter nicht in Umgebungen, in denen die Temperaturen über 40 °C oder unter 0 °C liegen, und auch nicht auf Böden mit Flüssigkeiten oder klebrigen Substanzen.
- Heben Sie Kabel vom Boden auf, bevor Sie den Roboter benutzen, um zu verhindern, dass diese während der Reinigung mitgezogen werden.
- Entfernen Sie zerbrechliche oder kleine Gegenstände vom Boden, um zu verhindern, dass der Roboter sie anstößt und beschädigt.

Sicherheitsinformationen

Nutzungseinschränkungen

- Entfernen Sie lose Gegenstände vom Boden und entfernen Sie Kabel oder Netzkabel am Reinigungsweg, bevor Sie das Gerät in Betrieb nehmen, um Schäden oder Schäden beim Anziehen zu verhindern.
- Halten Sie Haare, Finger und andere Körperteile von der Saugöffnung des Roboters fern.
- Bitte halten Sie die Reinigungswerkzeuge für die Bürste von Kindern fern.
- Kinder, Haustiere oder Gegenstände dürfen weder auf dem stillstehenden noch dem sich bewegenden Roboter positioniert werden.
- Benutzen Sie den Roboter nicht zum Aufwischen oder Aufsaugen brennender Substanzen. Verwenden Sie den Roboter nicht zum Aufsaugen von entflammaren oder brennbaren Flüssigkeiten, ätzenden Gasen oder unverdünnten Säuren oder Lösungsmitteln.
- Saugen Sie keine harten oder scharfen Gegenstände ein. Verwenden Sie das Gerät nicht zum Aufnehmen von Gegenständen wie Steinen, großen Papierstücken oder anderen Dingen, die das Gerät verstopfen könnten.
- Stellen Sie sicher, dass der Roboter ausgeschaltet und die Ladestation vom Strom getrennt ist, bevor Sie Reinigungs- oder Wartungsarbeiten durchführen.
- Verwenden Sie kein nasses Tuch zum Abwischen oder eine Flüssigkeit zum Spülen des Roboters und der Ladestation. Waschbare Teile müssen vollständig getrocknet werden, bevor sie installiert und verwendet werden.
- Stellen Sie sicher, dass der Roboter beim Transport ausgeschaltet ist und möglichst in der Originalverpackung befördert wird.
- Bitte verwenden Sie das Produkt gemäß den Anweisungen im Benutzerhandbuch. Der Benutzer ist für jeglichen Verlust oder Schaden verantwortlich, der aufgrund inkorrektter Verwendung dieses Produkts entsteht.

Sicherheitsinformationen

Akkus und Ladung

- Verwenden Sie keine Batterien, Netzkabel oder Ladestationen von Drittanbietern. Bitte ausschließlich mit RCS0 Netzgerät verwenden.
- Versuchen Sie nicht, den Akku oder die Ladestation selbst zu zerlegen, zu reparieren oder zu modifizieren.
- Stellen Sie die Ladestation nicht in der Nähe einer Wärmequelle ab.
- Benutzen Sie kein nasses Tuch oder nasse Hände, um die Ladkontakte der Ladestation zu reinigen.
- Entsorgen Sie alte Akkus sachgemäß. Unbenutzte Akkus sollten in einer geeigneten Recycling-Einrichtung entsorgt werden.
- Wenn der Roboter für eine längere Zeit nicht benutzt werden soll, laden Sie ihn voll auf, schalten ihn aus und lagern ihn an einem kühlen und trockenen Ort. Laden Sie den Roboter mindestens je 3 Monate auf, um eine Tiefentladung des Akkus zu vermeiden.
- Dieses Produkt enthält Akkus, die nur von qualifizierten Technikern oder dem Kundendienst ausgewechselt werden können.

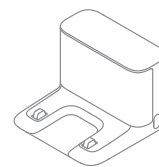
Lasersicherheitsinformationen

- Der Lasersensor in diesem Produkt erfüllt die Norm IEC 60825-1: 2014 für Laserprodukte der Klasse 1. Bitte vermeiden Sie direkten Augenkontakt mit ihm während des Gebrauchs.

Hiermit bestätigt, Dreame Trading (Tianjin) Co., Ltd. dass das Funkgerät des Typs RLS6A mit der Verordnung 2014/53/EU in Einklangsteht. Der vollständige Wortlaut der EU-Konformitätserklärung ist unter der folgenden Internetadresse abrufbar: <https://global.dreame.tech.com>
Ein detailliertes elektronisches Handbuch finden Sie unter <https://global.dreame.tech.com/pages/user-manuals-and-faqs>

Produktübersicht

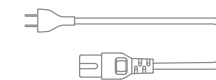
Zubehör



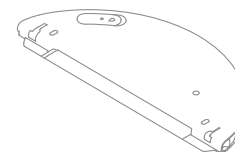
Ladestation



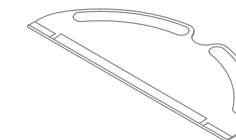
Reinigungswerkzeug



Netzkabel



Wassertank



Wischmopp

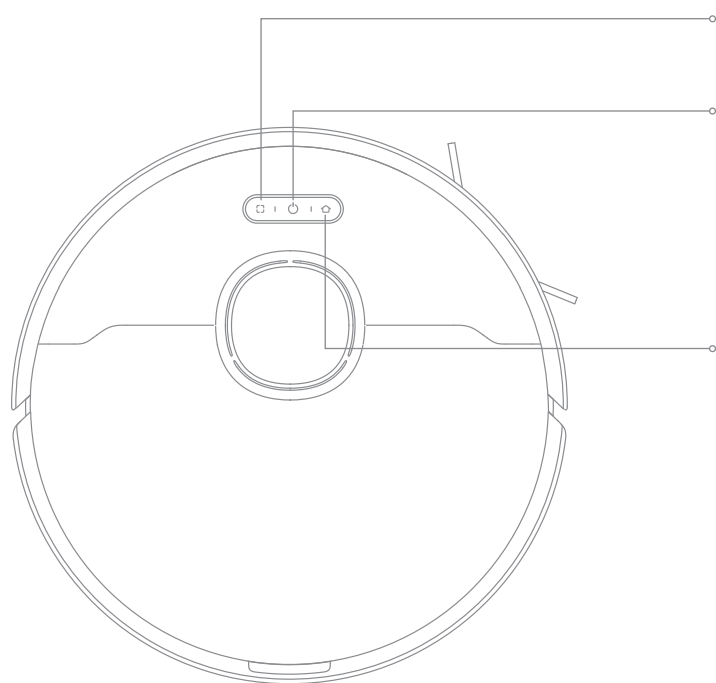


Seitenbürste

Produktübersicht

DE

Roboter



- Taste für die Punktreinigung
 - Kurz drücken, um die Punktreinigung zu starten
 - Ein-/Aus- und Reinigungstaste
 - Halten Sie die Taste 3 Sekunden lang gedrückt, um das Gerät ein- oder auszuschalten
 - Kurz drücken zum Start der Reinigung nach dem Einschalten des Roboters
 - Schaltfläche zum Andocken
 - Drücken, um den Roboter zur Ladestation zurückzufahren
 - Halten Sie die Taste 3 Sekunden lang gedrückt, um die Kindersicherung zu deaktivieren
- Statusanzeige
- Weiß: Reinigung im Prozess oder Reinigung ist abgeschlossen
 - Blinkt Orange: Fehler
 - Blau: Kameraüberwachung aktiviert

Produktübersicht

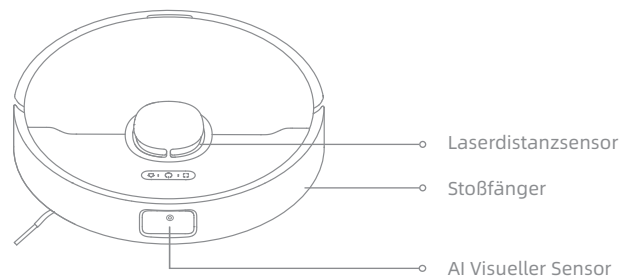
DE

Roboter

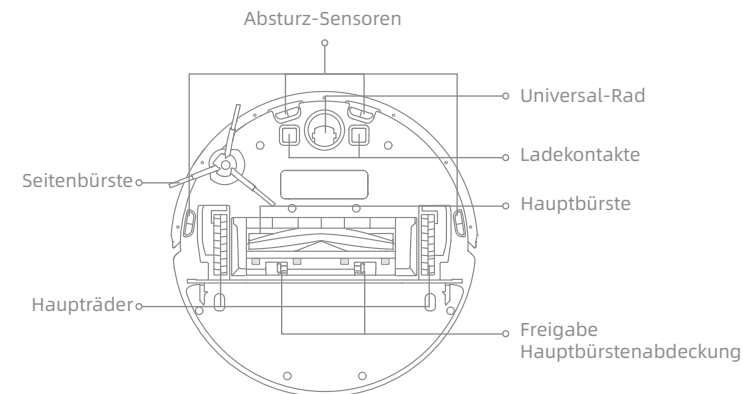


- Reset-Taste
 - Halten Sie 3 Sekunden lang gedrückt, um die ursprünglichen Einstellungen wiederherzustellen
- Abdeckung
- WLAN-Anzeiger
- Reinigungswerkzeug
- Luftauslass/Lautsprecher

Robotersensor



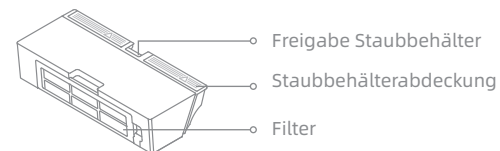
- Laserdistanzsensor
- Stoßfänger
- AI Visueller Sensor



- Absturz-Sensoren
- Universal-Rad
- Ladekontakte
- Hauptbürste
- Freigabe Hauptbürstenabdeckung
- Seitenbürste
- Haupträder

Produktübersicht

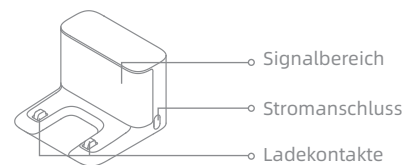
Staubbehälter



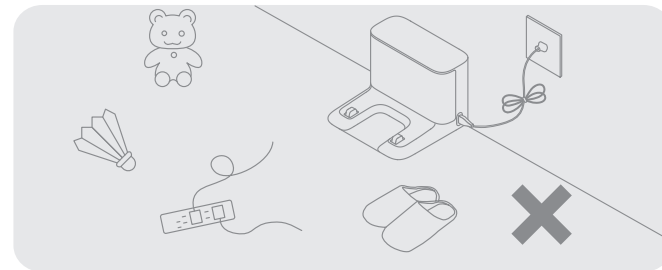
Wischmodul



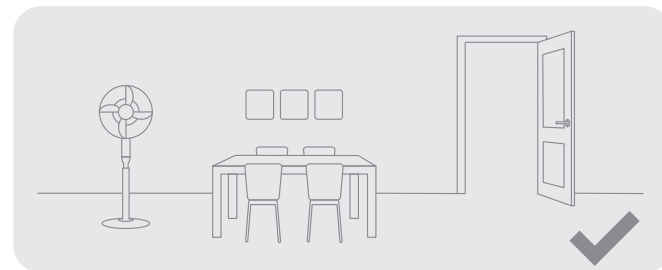
Ladestation



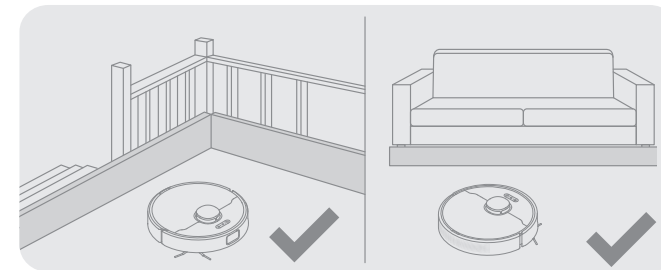
Ihr Zuhause vorbereiten



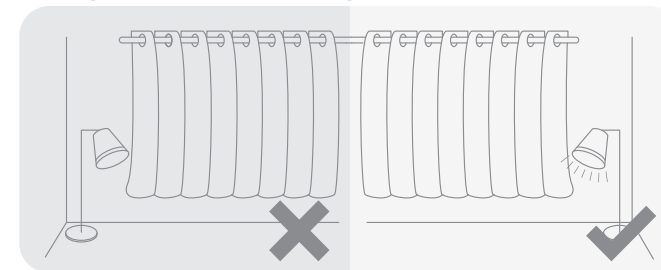
Ordnen Sie Gegenstände wie Netzkabel, Tücher, Hausschuhe und Spielzeug, um die Effizienz der Reinigung zu verbessern.



Öffnen Sie die Tür des zu reinigenden Raumes und stellen Sie die Möbel in die geeignete Position, um mehr Platz zu schaffen.



Montieren Sie vor der Reinigung die physische Barriere an den Kanten von Treppen und Möbeln, um dem Roboter ein reibungsloses Arbeiten zu ermöglichen.



Mit dem visuellen KI-Sensor kann der Roboter Hindernisse wie Stromkabel, Schuhe und Socken besser erkennen und vermeiden, um den visuellen KI-Sensor auszunutzen. Stellen Sie sicher, dass alle zu reinigenden Bereiche gut beleuchtet sind.

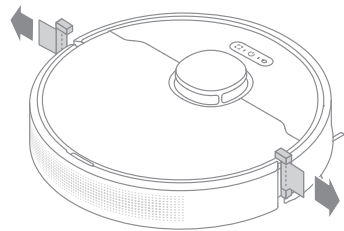
Hinweis:

- Wenn Sie den Roboter zum ersten Mal in Betrieb nehmen, folgen Sie ihm während der Reinigung, um mögliche Hindernisse rechtzeitig zu beseitigen.
- Um zu verhindern, dass der Roboter den zu reinigenden Bereich nicht erkennt, stellen Sie sich nicht vor den Roboter, vor eine Schwelle, oder die enge Stelle einer Flur hin.

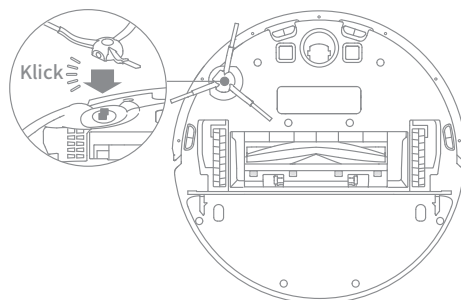
Vor der Verwendung

DE

1. Die Schutzstreifen entfernen



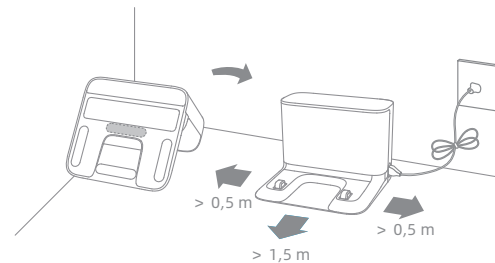
2. Seitenbürste installieren



Hinweis: Installieren Sie die Seitenbürste, bis sie einrastet.

3. Richten Sie die Ladestation ein

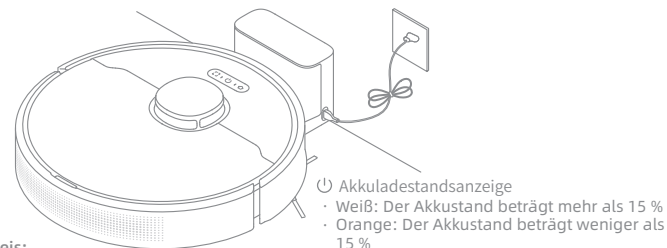
Kleben Sie das doppelseitige Klebeband an die Unterseite der Ladestation, legen Sie die Ladestation auf den ebenen Boden an die Wand und schließen Sie sie an eine Steckdose an.



Hinweis:

- Stellen Sie sicher, dass auf beiden Seiten der Ladestation ein Abstand von mindestens 0,5 Metern und vor der Ladestation ein Abstand von mehr als 1,5 Metern eingehalten wird.
- Um sicherzustellen, dass Sie den Roboter einfach mit dem Telefon verbinden können, stellen Sie sicher, dass sich der Roboter und die Ladestation im Bereich des WLAN befinden.
- Platzieren Sie die Ladestation nicht in einem Bereich mit direkter Sonneneinstrahlung oder in einem Bereich, in dem andere Objekte den Signalbereich blockieren könnten, da dies den Roboter daran hindern könnte, zur Ladestation zurückzukehren.
- Verwenden Sie doppelseitiges Band nach Ihren Bedürfnissen.
- Bitte reinigen Sie die Bodenfläche, in der die Ladestation platziert wird, mit einem trockenen Lappen.
- Entfernen Sie das doppelseitige Klebeband bei Bedarf langsam, um Kleberückstände zu reduzieren.

4. Platzieren Sie den Roboter zum Aufladen in der Ladestation



Hinweis:

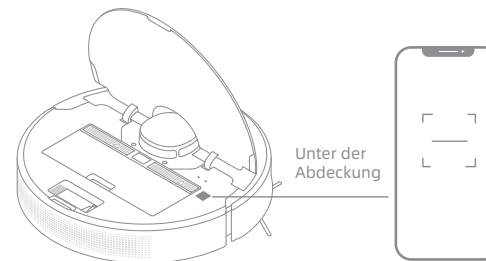
- Vollständige Aufladung vor dem ersten Gebrauch.
- Montieren Sie den Moppaufsatz nicht, während das Gerät geladen wird. Gehen Sie vorsichtig mit dem nassen Mop um, da die Feuchtigkeit den Boden beschädigen kann.

Verbinden mit Dreamehome App

Dieses Produkt funktioniert mit der Dreamehome App, mit der Sie Ihr Gerät steuern können.

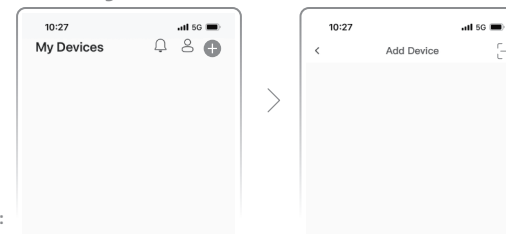
1. Laden Sie die Dreamehome App herunter

Scannen Sie den QR-Code auf dem Roboter oder suchen Sie im App Store nach "Dreamehome" um die App nach Ihren Bedürfnissen herunterzuladen und zu installieren.



2. Fügen Sie das Gerät hinzu

Öffnen Sie das Dreamehome, tippen Sie oben rechts auf "+" und scannen Sie den obigen QR-Code erneut, um "DreameBot D10s Pro" hinzuzufügen. Bitte folgen Sie den Anweisungen, um die WLAN-Verbindung abzuschließen.



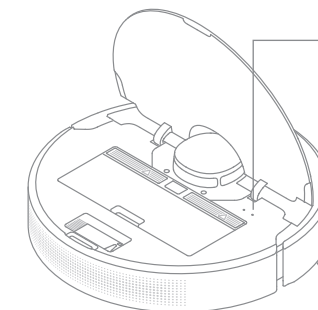
Hinweis:

- Es wird nur WLAN mit 2,4 GHz unterstützt.
- Die App-Software wird aktualisiert, die tatsächliche Bedienung kann sich von den Angaben in diesem Handbuch abweichen. Bitte befolgen Sie die Anweisungen basierend auf der aktuellen App-Version.

DE

3. WLAN zurücksetzen

Gleichzeitig drücken und halten Sie die und Taste bis Sie eine Sprachmeldung hören „Warten auf Netzwerkkonfiguration“. Sobald die WLAN-Anzeige langsam blinkt, wurde das WLAN erfolgreich zurückgesetzt.



WLAN-Anzeiger

- Langsam blinkend: Wartet auf Verbindung
- Schnell blinkend: Verbindung wird hergestellt
- Ein: Verbunden

Hinweis: Wenn Ihr Telefon keine erfolgreiche Verbindung mit dem Roboter herstellen kann, setzen Sie das WLAN zurück und fügen Sie das Gerät erneut hinzu.



Gebrauchsanleitung

DE


1. Schnelle Kartenerstellung

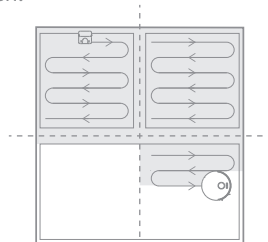
Nachdem Sie das Netzwerk zum ersten Mal konfiguriert haben, folgen Sie den Anweisungen in der App, um schnell eine Karte zu erstellen, wobei der Roboter die Kartierung ohne Reinigung startet. Der Kartierung-Prozess wird abgeschlossen, wenn der Roboter zur Ladestation zurückkehrt, und die Karte wird automatisch gespeichert.

2. Einschalten/Ausschalten

Halten Sie die Taste  3 Sekunden lang gedrückt, um den Roboter einzuschalten, und die Betriebsanzeige leuchtet dauerhaft. Stellen Sie den Roboter auf die Ladestation. Der Roboter sollte sich dann automatisch einschalten und mit dem Laden beginnen. Um den Roboter auszuschalten, entfernen Sie den Roboter vom Dock und halten Sie die Taste  3 Sekunden lang gedrückt.

3. Mit der Reinigung beginnen

Drücken Sie die Taste  kurz, um die Reinigung nach dem Einschalten des Roboters zu starten. Dann wird der Roboter eine Route genau planen, methodisch entlang der Kanten und Wände reinigen und schließlich jeden Raum in einem S-förmigen Muster gründlich reinigen.



Hinweis: Stellen Sie vor einer Reinigungsaufgabe sicher, dass der Roboter von der Ladestation startet. Bewegen Sie die Ladestation nicht während des Reinigungsvorgangs.

4. Pause / Schlaf

Wenn der Roboter läuft, drücken Sie eine beliebige Taste, um ihn zu pausieren. Wenn der Roboter länger als 10 Minuten pausiert wird, wechselt er automatisch in den Schlafmodus. Alle Anzeigen am Roboter werden ausgeschaltet. Drücken Sie eine beliebige Taste am Roboter oder verwenden Sie die App, um den Roboter aufzuwecken.

Hinweis:

- Wenn das Gerät länger als 12 Stunden im Ruhemodus ist, schaltet es sich automatisch aus.
- Wenn der Roboter sich im Pause-Modus befindet, wird die aktuelle Reinigungsaufgabe beendet, wenn Sie ihn auf die Ladestation setzen.


5. Nicht stören (DND) Modus

Wenn der Roboter auf den DND-Modus (Do Not Disturb) eingestellt ist, führt der Roboter die Reinigungsaufgabe nicht mehr durch und die Betriebsanzeige erlischt. Der DND-Modus ist werkseitig standardmäßig deaktiviert. Sie können die App verwenden, um den DND-Modus zu aktivieren oder den DND-Zeitraum zu ändern. Der DND-Zeitraum ist standardmäßig 22:00-8:00.

Hinweis:

- Die geplanten Reinigungsaufgaben werden während des DND-Zeitraums pünktlich durchgeführt.
- Der Roboter wird die Reinigung fortsetzen, wo er nach Ablauf der DND-Periode aufgehört hat.

6. Punktreinigung

Wenn der Roboter in Bereitschaft ist, drücken Sie kurz die Taste , um den Spot-Reinigungsmodus zu aktivieren. In diesem Modus reinigt der Roboter einen quadratischen Bereich von 1,5 x 1,5 Metern um ihn herum und kehrt zu seinem Ausgangspunkt zurück, sobald die Reinigung bestimmter Bereiche abgeschlossen ist.

Gebrauchsanleitung

DE

7. Geplantes Reinigen

Sie können die Reinigungszeiten automatisch mit der Dreamehome App planen. Der Roboter wird zu der geplanten Zeiten automatisch mit der Reinigung anfangen und nach ausgeführter Reinigung wieder zur Ladung an die Ladestation zurückkehren.

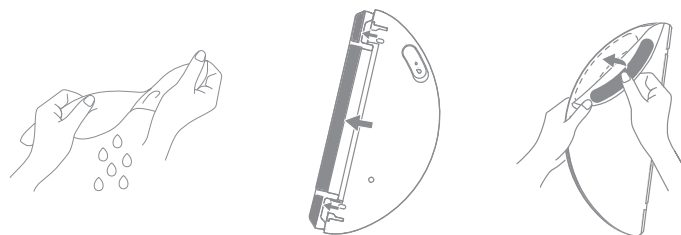
8. Weitere APP-Funktionen

Folgen Sie den Anweisungen auf der APP-Schnittstelle, um weitere Funktionen zu nutzen. Die App-Version könnte aktualisiert worden sein. Bitte folgen Sie den Anweisungen entsprechend der aktuellen App-Version.

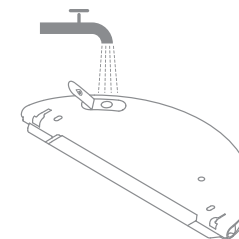
9. Verwenden der Wischfunktion

Zur Erzielung eines besseren Reinigungseffekts, wird empfohlen, alle Boden mindestens dreimal vor der ersten Mopp-Reinigung zu saugen.

1) Befeuchten Sie den Wischer und wringen Sie überschüssiges Wasser aus. Installieren Sie den Wischmopp wie im Diagramm gezeigt.



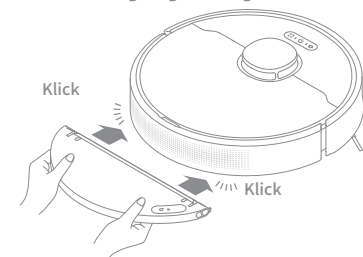
2) Füllen Sie den Tank mit Wasser.



Hinweis:

- Verwenden Sie keine Reinigungs- oder Desinfektionsmittel.
- Füllen Sie nicht mit heißem Wasser, das Verzerrung des Wassertanks verursachen kann.

3) Richten Sie das Wischmodul wie durch den Pfeil angezeigt aus, und schieben Sie es dann in die Rückseite des Roboters, bis es einrastet. Drücken Sie die Taste  oder verwenden Sie die App Dreamehome, um mit der Reinigung zu beginnen.



Hinweis:

- Die Verwendung der Wischfunktion auf Teppichen wird nicht empfohlen.
- Verwenden Sie die App, um den Wasserfluss wie benötigt einzustellen.

Regelmäßige Wartung

DE

Teile

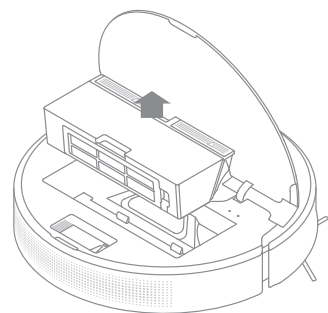
Es wird empfohlen, sich für die routinemäßige Wartung auf die folgende Tabelle zu beziehen, um den Roboter in gutem Zustand zu halten.

Teil	Häufigkeit der Wartung	Häufigkeit des Austausches
Wischer	Nach jedem Gebrauch	Alle 3 bis 6 Monate
Hauptbürste	Einmal alle 2 Wochen	Alle 6 bis 12 Monate
Staubbehälterfilter		Alle 3 bis 6 Monate
Seitenbürste	Einmal im Monat	/
Der Signalisierungsbereich der Ladestation		
Ladekontakte		
Universal-Rad		
Laserdistanzsensor		
AI Visueller Sensor		
Absturz-Sensoren		
Wassertank		
Staubbehälter		

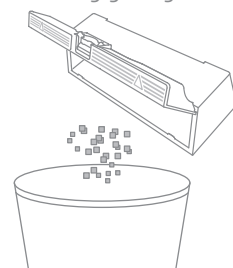
Hinweis: Die Häufigkeit des Austauschs hängt von der Nutzung des Roboters ab. Wenn aufgrund besonderer Umstände eine Störung auftritt, sollten die Teile ausgetauscht werden.

Staubbehälter und Filter reinigen

1. Öffnen Sie die Roboterabdeckung und drücken Sie auf den Staubbehälterklipp, um den Staubbehälter zu entfernen.



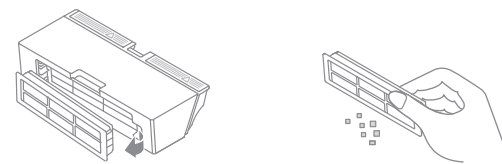
2. Öffnen Sie die Behälterabdeckung und leeren Sie den Behälter wie in der Abbildung gezeigt.



Regelmäßige Wartung

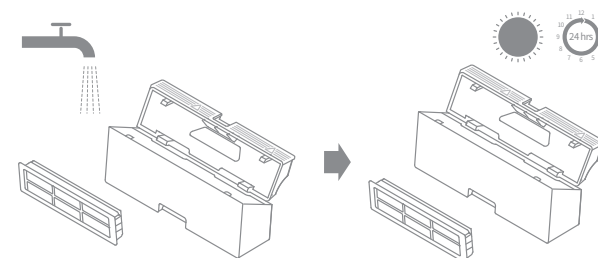
DE

3. Nehmen Sie den Filter heraus und klopfen Sie vorsichtig auf seinen Korb.



Hinweis: Versuchen Sie nicht, den Filter mit einer Bürste, einem Finger oder scharfen Gegenständen zu reinigen, um Schäden zu vermeiden.

4. Spülen Sie den Staubbehälter und den Filter mit Wasser und trocknen Sie sie vollständig vor dem Wiedereinbau.

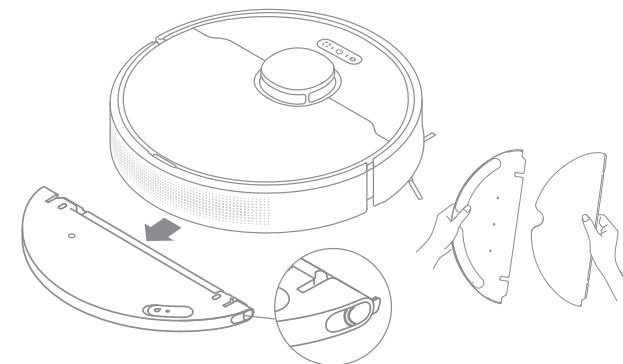


Hinweis:

- Spülen Sie den Staubbehälter und den Filter nur mit sauberem Wasser aus. Verwenden Sie keine Reinigungsmittel.
- Verwenden Sie den Staubbehälter und den Filter nur, wenn sie vollständig trocken sind.

Reinigen Sie das Wischmodul

1. Schieben Sie die beiden Freigabeklammern an der Seite des Wassertanks, um den Moppaufsatz zu entfernen, und ziehen Sie dann den Wischmopp vom Moppaufsatz ab.



2. Entleeren Sie das Restwasser aus dem Wassertank und lassen Sie ihn an der Luft trocknen.

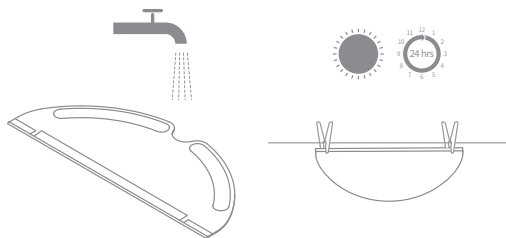


Hinweis: Setzen Sie den Tank keiner direkten Sonneneinstrahlung aus.

Regelmäßige Wartung

DE

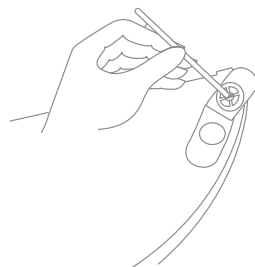
3. Die Wischlappen ausschließlich mit Wasser reinigen und vor Reinstallieren an der Luft trocknen lassen.



Hinweis:

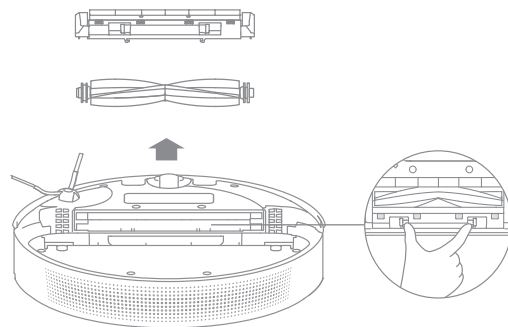
· Nehmen Sie den Wischlappen vor der Reinigung aus dem Wischmodul heraus und stellen Sie sicher, dass das Schmutzwasser nicht in den Wasserauslass zurückfließt, um eine Verstopfung zu vermeiden.

4. Falls eine langsamer Wasserdurchfluss auftritt bzw. das Wasservolumen nicht gut verteilt ist, reinigen Sie das Luftloch in der Abdeckung des Wassertanks.

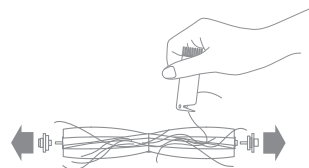


Bürste reinigen

1. Drücken Sie den Bürstenschutzclip nach innen, um den Bürstenschutz zu entfernen und die Bürste aus dem Roboter zu heben.



2. Ziehen Sie den Bürstendeckel wie im Diagramm gezeigt heraus. Verwenden Sie das mitgelieferte Reinigungswerkzeug, um die in der Bürste verwickelten Haare zu entfernen.



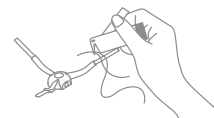
Hinweis: Ziehen Sie die in der Bürste verhedderten Haare nicht übermäßig heraus. Andernfalls kann die Hauptbürste beschädigt werden.

Regelmäßige Wartung

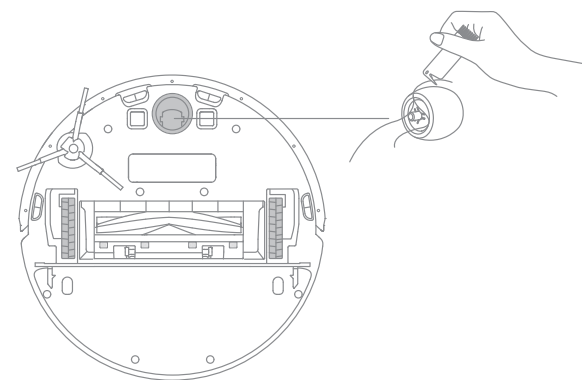
DE

Seitenbürste reinigen

Ziehen Sie die Seitenbürste heraus und entfernen Sie mit dem mitgelieferten Reinigungswerkzeug alle in der Bürste verwickelten Haare.



Das Hauptrad und das Universal-Rad reinigen

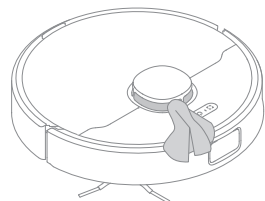


Hinweis: Verwenden Sie ein Werkzeug, z. B. einen kleinen Schraubendreher, um die Achse und den Reifen des Universalrads zu trennen.

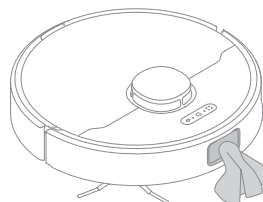
Regelmäßige Wartung

Hinweis: Bitte verwenden Sie zur Reinigung ein trockenes Geschirrtuch, da der Roboter und das innere der Ladestation empfindliche Komponenten enthalten. Verwenden Sie keine nassen Spültücher, um durch Wasser verursachte Schäden zu vermeiden.

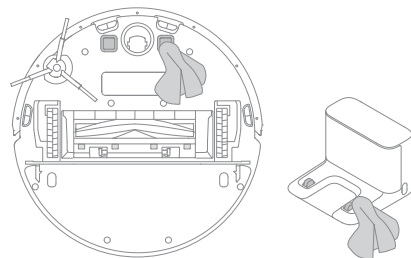
Reinigen Sie den LDS Lasersensor



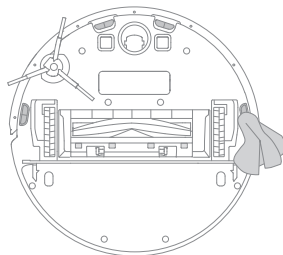
Reinigen Sie den AI Visuellen Sensor



Reinigen Sie die Kontakte der Ladestation



Reinigen Sie die Abstürzesensoren



Roboter neu starten

Wenn der Roboter nicht mehr reagiert oder nicht ausgeschaltet werden kann, halten Sie die Taste  10 Sekunden lang gedrückt, um sie gewaltsam auszuschalten. Halten Sie dann die Taste  3 Sekunden lang gedrückt, um den Roboter einzuschalten.

Batterie

Der Roboter enthält einen Hochleistungs-Lithium-Ionen-Akku. Bitte stellen Sie sicher, dass dieser bei täglicher Nutzung gut geladen ist, um die optimale Akkuleistung beizubehalten. Wenn der Roboter längere Zeit nicht benutzt wird, schalten Sie ihn aus und stellen Sie ihn weg. Um Schäden durch Tiefentladung zu vermeiden, sollte der Roboter mindestens einmal je drei Monate aufgeladen werden.

FAQ

Problem	Lösung
Roboter lässt sich nicht einschalten	Der Akkustand ist niedrig. Laden Sie den Roboter an der Ladestation auf und versuchen Sie es dann erneut. Die Temperatur des Akkus ist zu niedrig oder zu hoch. Es wird empfohlen, das Gerät bei einer Temperatur zwischen 0°C und 40°C in Betrieb zu nehmen.
Roboter lädt sich nicht auf	Die Ladestation erhält keinen Strom. Bitte stellen Sie sicher, dass beide Spitzen des Stromkabels korrekt eingesteckt sind. Schlechter Kontakt. Reinigen Sie die Ladkontakte der Ladestation und des Roboters.
Roboter kehrt nicht zur Ladestation zurück	Es gibt zu viele Hindernisse um die Ladestation herum. Stellen Sie die Ladestation in einer offeneren Umgebung. Bitte reinigen Sie den Signalbereich der Ladestation.
Roboter arbeitet nicht einwandfrei	Schalten Sie den Roboter aus und dann wieder an.
Roboter gibt ein merkwürdiges Geräusch ab	Ein Fremdkörper könnte sich in der Hauptbürste, Seitenbürste oder einem der Räder verfangen haben. Schalten Sie den Roboter aus und entfernen Sie eventuell vorhandenen Schmutz.
Der Roboter reinigt nicht mehr wirksam, oder er hinterlässt Staub	Der Staubbehälter ist voll. Bitte leeren Sie ihn. Der Filter ist verstopft. Bitte reinigen Sie ihn. Ein Fremdkörper hat sich in der Hauptbürste verfangen. Bitte reinigen Sie diese.
Roboter kann nicht mit dem WLAN verbinden	Es besteht ein Problem mit der WLAN-Verbindung. Setzen Sie das WLAN zurück und laden Sie die neuste Version der Dreamehome App herunter. Versuchen Sie dann erneut, eine Verbindung herzustellen. Die Standortberechtigung ist nicht aktiviert. Bitte stellen Sie sicher, dass die Standortberechtigung auf der Dreamehome App geöffnet ist. Das WLAN-Signal ist schwach. Stellen Sie sicher, dass der Roboter sich in einem Bereich mit gutem WLAN-Empfang befindet. WLAN mit 5 GHz wird nicht unterstützt. Bitte stellen Sie sicher, dass Ihr Roboter mit einem 2,4 GHz WLAN verbunden ist. Der Benutzername oder das Kennwort des WLAN ist falsch. Bitte stellen Sie die korrekte Eingabe des Benutzernamens und Kennworts sicher.
Der Roboter führt die geplante Reinigung nicht aus	Der Akku des Roboters hat einen niedrigen Akkuladestand. Die planmäßige Reinigung wird nur dann begonnen, wenn der Roboter einen Ladestand von mindestens 15 % hat.

Problem	Lösung
Verbraucht das Belassen des Roboters auf der Ladestation Strom, wenn er bereits aufgeladen ist?	Das Belassen des Roboters auf der Ladestation nach dem Ladevorgang verbraucht nur sehr wenig Strom und trägt zur Aufrechterhaltung einer optimalen Akkuleistung bei.
Kein Wasser kommt aus dem Wassertank, oder nur ein kleines bisschen kommt heraus	Vergewissern Sie sich, dass der Wassertank mit Wasser gefüllt ist, und reinigen Sie das Wischer-Pad, falls erforderlich. Reinigen Sie den Mopp, wenn er schmutzig wird. Vergewissern Sie sich, dass der Wischlappen entsprechend Gebrauchsanleitung korrekt angebracht ist. Das Luftloch auf dem Wassertank reinigen.
Der Roboter nimmt die Reinigung nach dem Aufladen nicht wieder auf	Vergewissern Sie sich, dass der Roboter sich nicht im Nicht-Stören-Modus befindet, denn dieser verhindert eine Fortsetzung der Reinigung. Der Roboter setzt die Reinigung nicht automatisch fort, wenn er manuell aufgeladen oder auf der Ladestation gestellt wird.
Der Roboter kehrt nicht zur Ladestation zurück, nachdem er versetzt wurde	Das Versetzen des Roboters kann dazu führen, dass er sich selbst neu positioniert oder seine Umgebung neu kartiert. Wenn der Roboter zu weit von der Ladestation entfernt ist, kann er möglicherweise nicht automatisch von selbst zurückkehren. In diesem Fall müssen Sie den Roboter manuell auf der Ladestation platzieren.

Für weitere Dienstleistungen kontaktieren Sie uns bitte über aftersales@dreame.tech

Webseite: <https://global.dreametech.com>

Spezifikationen

Roboter

Modell	RLS6A
Ladedauer	Ca. 6 Stunden
Nennspannung	14,4 V \approx
Bemessungsleistung	46 W
Betriebsfrequenz	2400-2483,5 MHz
Maximale Ausgangsleistung	< 20 dBm

Ladestation

Modell	RCS0
Nenningang	100-240 V~50/60 Hz 0,5 A
Nennausgang	19,8 V \approx 1 A

Unter normalen Einsatzbedingungen muss dieses Gerät einen Abstand von mindestens 20 cm zwischen der Antenne und dem Körper des Benutzers einhalten.

Entsorgung und Entfernung von Batterien

Die eingebaute Lithium-Ionen-Batterie enthält umweltgefährdende Substanzen. Stellen Sie vor der Entsorgung der Batterie sicher, dass die Batterie von qualifizierten Technikern entfernt und in einer geeigneten Recyclinganlage entsorgt wird.

- die Batterie muss vor dem Verschrotten aus dem Gerät entfernt werden;
- das Gerät muss beim Ausbau der Batterie vom Netz getrennt werden;
- die Batterie muss sicher entsorgt werden.

ACHTUNG:

- Bevor Sie den Akku entfernen, trennen Sie die Stromversorgung und lassen Sie den Akku komplett leer laufen.
- Nicht benötigte Batterien sollten in einer geeigneten Recyclinganlage entsorgt werden.
- Lassen Sie den Akku nicht in einer Umgebung mit extrem hohen Temperaturen, um Explosionsrisiken zu vermeiden.
- Unter missbräuchlicher Verwendung kann Flüssigkeit aus der Batterie ausgestoßen werden. Wenn Sie aus Versehen anfassen, spülen Sie mit Wasser und suchen Sie medizinische Hilfe.

Informations DEEE



Alle mit diesem Symbol gekennzeichneten Produkte sind Elektroschrott und Elektrogeräte (WEEE entsprechend EU-Richtlinie 2012/19/EU) und dürfen nicht mit unsortiertem Haushaltsmüll vermischt werden. Schützen Sie stattdessen Ihre Mitmenschen und die Umwelt, indem Sie Ihre zu entsorgenden Geräte an eine dafür vorgesehene, von der Regierung oder einer lokalen Behörde eingerichtete Sammelstelle zum Recycling von Elektroschrott und Elektrogeräten bringen. Eine ordnungsgemäße Entsorgung und Recycling helfen, negative Auswirkungen auf die Gesundheit von Umwelt und Menschen zu vermeiden. Wenden Sie sich bitte an den Installateur oder lokale Behörden, um Informationen zum Standort und den allgemeinen Geschäftsbedingungen solcher Sammelstellen zu erhalten.

Anleitung zum Entfernen

1. Drehen Sie den Roboter um, entfernen Sie mit einem geeigneten Werkzeug die Schrauben auf der Rückseite des Roboters und entfernen Sie dann die Abdeckung.
2. Ziehen Sie die Klemmen zwischen der Batterie und der Leiterplatte ab, um die Batterie zu entfernen.

Entsorgung von Elektro- und Elektronikgeräten



Die durchgestrichene Mülltonne bedeutet, dass Sie gesetzlich verpflichtet sind, diese Geräte einer vom unsortierten Siedlungsabfall getrennten Erfassung zuzuführen. Die Entsorgung über die Restmülltonne oder die gelbe Tonne ist untersagt. Enthalten die Produkte Batterien oder Akkus, die nicht fest verbaut sind, müssen diese vor der Entsorgung entnommen und getrennt als Batterie entsorgt werden.

Möglichkeiten der Rückgabe von Altgeräten

Besitzer von Altgeräten können diese im Rahmen der durch öffentlich-rechtlichen Entsorgungsträger eingerichteten und zur Verfügung stehenden Möglichkeiten der Rückgabe oder Sammlung von Altgeräten abgeben, damit eine ordnungsgemäße Entsorgung der Altgeräte sichergestellt ist. Unter dem folgenden Link besteht die Möglichkeit, sich ein Onlineverzeichnis der Sammel- und Rücknahmestellen anzuzeigen zu lassen: <https://www.ear-system.de/ear-verzeichnis/sammel-und-ruecknahmestellen>

Datenschutz

Wir weisen alle Endnutzer von Elektro- und Elektronikaltgeräten darauf hin, dass Sie für das Löschen personenbezogener Daten auf den zu entsorgenden Altgeräten selbst verantwortlich sind.

Informations sur la sécurité

FR

Pour éviter tout risque de choc électrique, d'incendie ou de blessure causé par une utilisation incorrecte de l'appareil, veuillez lire attentivement le manuel d'utilisation avant d'utiliser l'appareil et le conserver pour pouvoir vous y référer ultérieurement.

Restrictions d'utilisation

- Ce produit ne doit pas être utilisé par des enfants de moins de 8 ans ni par des personnes présentant un handicap moteur, sensoriel ou mental, ou ayant une expérience ou des connaissances limitées, sans la supervision d'un parent ou d'un tuteur afin de garantir un fonctionnement sûr et d'éviter tout risque. Le nettoyage et l'entretien ne doivent pas être effectués par des enfants sans surveillance.
- Les enfants ne doivent pas jouer avec ce produit. Pendant le nettoyage, assurez-vous que les enfants et les animaux de compagnie sont maintenus à une distance de sécurité du robot aspirateur.
- Si le cordon d'alimentation est endommagé ou rompu, cessez immédiatement de l'utiliser et contactez le service après-vente.
- Ce produit est uniquement destiné au nettoyage des sols dans un environnement domestique. Ne l'utilisez pas à l'extérieur, sur des surfaces autres que des sols ou dans un environnement commercial ou industriel.
- N'utilisez pas le robot dans une zone située au-dessus du niveau du sol sans barrière de protection.
- Ne placez pas le robot à l'envers. N'utilisez pas le couvercle du LDS, le couvercle du robot ou le pare-chocs comme poignée pour déplacer le robot.
- N'utilisez pas le robot dans des environnements où la température ambiante est supérieure à 40° C ou inférieure à 0° C, ni sur un sol avec des liquides ou des substances collantes.
- Retirez tous les câbles au sol avant d'utiliser le robot pour éviter qu'il ne les entraîne dedans pendant le nettoyage.
- Retirez tous les objets fragiles ou de petite taille au sol afin d'éviter que le robot ne les percute ou ne les endommage.

Informations sur la sécurité

Restrictions d'utilisation

- Pour éviter d'endommager l'appareil ou de le traîner, débarrassez le sol de tout objet mobile et retirez les câbles ou les cordons d'alimentation qui se trouvent sur le trajet de nettoyage avant d'utiliser l'appareil.
- Maintenez vos cheveux, vos doigts et les autres parties de votre corps éloignés de l'orifice d'aspiration du robot.
- Conservez l'outil de nettoyage de brosse hors de la portée des enfants.
- Ne mettez pas d'enfants, d'animaux ou d'objets sur le robot, qu'il soit à l'arrêt ou en mouvement.
- N'utilisez pas le robot pour nettoyer des objets brûlants. N'utilisez pas le robot pour ramasser des liquides inflammables ou combustibles, des gaz corrosifs ou des acides ou solvants non dilués.
- N'aspirez pas d'objets durs ou tranchants. N'utilisez pas l'appareil pour ramasser des objets tels que des pierres, de gros morceaux de papier ou tout autre élément susceptible d'obstruer l'appareil.
- Assurez-vous que le robot est éteint et que le socle de charge est débranché avant d'effectuer le nettoyage ou l'entretien.
- N'utilisez pas de chiffon humide pour essuyer ou de liquide pour rincer le robot et le socle de charge. Les pièces lavables doivent être totalement séchées avant de les installer et de les utiliser.
- Dans la mesure du possible, assurez-vous que le robot est éteint lorsque vous le transportez et rangez-le dans son emballage d'origine.
- Veuillez utiliser ce produit conformément aux instructions du Mode d'emploi. Les utilisateurs sont responsables des pertes ou dommages résultant d'une mauvaise utilisation de ce produit.

Batteries et charge

- N'utilisez pas de batterie, de cordon d'alimentation ou de station de recharge tiers. Veuillez n'utiliser que l'unité d'alimentation RCS0.

FR

Informations sur la sécurité

Batteries et charge

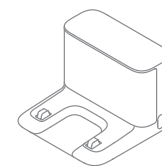
- N'essayez pas de démonter, réparer ou modifier vous-même la batterie ou la station de charge.
- Ne placez pas la station de charge près d'une source de chaleur.
- N'utilisez pas de chiffon humide, ni vos mains humides, pour essuyer ou nettoyer les contacts de charge de la station.
- Ne jetez pas vos batteries usagées de façon incorrecte. Les batteries inutilisées doivent être jetées aux centres de recyclage appropriés.
- Si vous ne prévoyez pas d'utiliser le robot pendant une période prolongée, chargez-le complètement, éteignez-le, puis entreposez-le dans un endroit frais et sec. Rechargez le robot au moins une fois tous les 3 mois pour éviter un déchargement excessif de la batterie.
- Ce produit contient des batteries qui ne peuvent être remplacées que par des techniciens qualifiés ou par le service après-vente.

Informations sur la sécurité liée à l'utilisation du laser

- Le capteur laser de ce produit est conforme à la norme CEI 60825-1 : 2014 relative aux produits laser de classe 1. Veuillez éviter tout contact direct avec les yeux pendant l'utilisation.

Présentation du produit

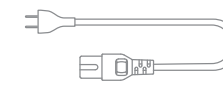
Accessoires



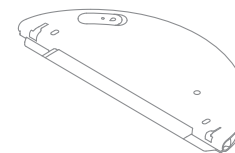
Socket de charge



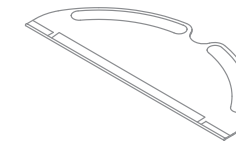
Outil de nettoyage



Câble d'alimentation



Réservoir d'eau



Serpillière

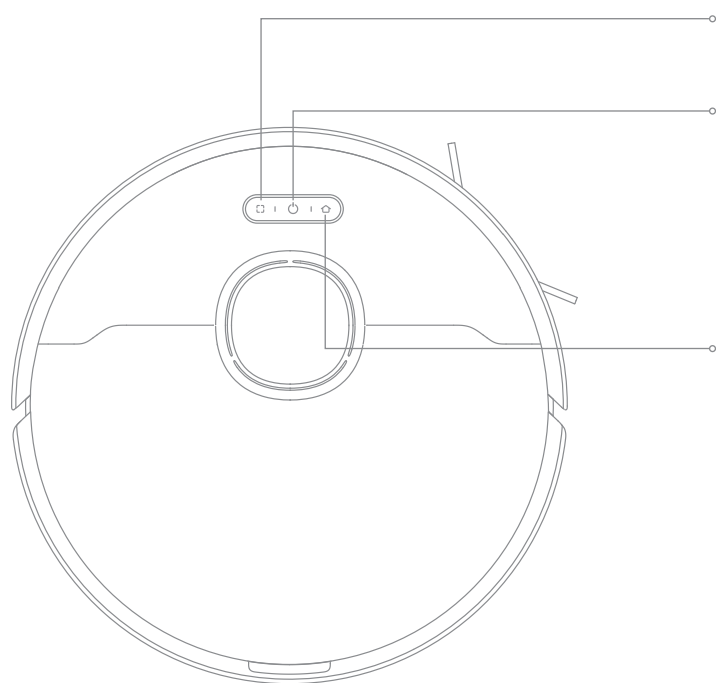


Brosse latérale

Présentation du produit

FR

Robot



Nettoyage local
· Appuyez brièvement pour commencer le nettoyage local

Bouton d'alimentation/nettoyage
· Appuyez sur cette touche pendant 3 secondes pour allumer ou éteindre le robot
· Appuyez brièvement sur cette touche pour lancer le nettoyage après la mise en marche du robot

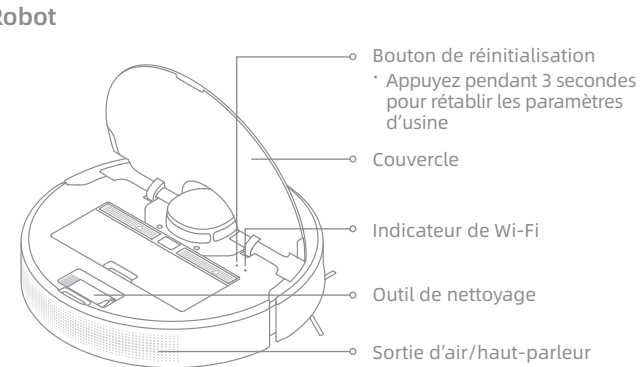
Bouton d'accueil
· Appuyer pour renvoyer le robot au socle de charge
· Appuyez et maintenez enfoncé pendant 3 secondes pour désactiver la sécurité enfant

Indicateur d'état
· Blanc : nettoyage en cours ou terminé
· Clignotant orange : erreur
· Bleu : Surveillance de la caméra activée

Présentation du produit

FR

Robot



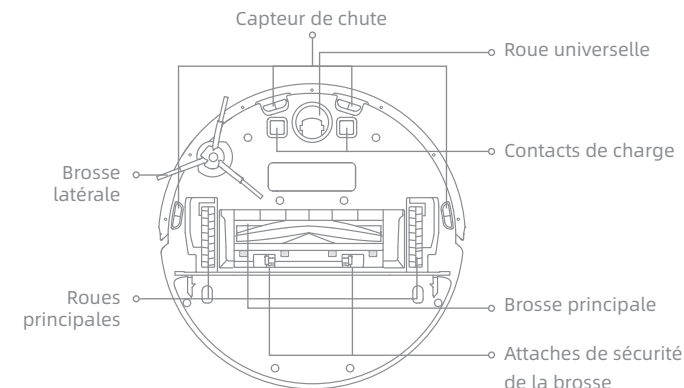
Bouton de réinitialisation
· Appuyez pendant 3 secondes pour rétablir les paramètres d'usine

Couvercle

Indicateur de Wi-Fi

Outil de nettoyage

Sortie d'air/haut-parleur



Capteur de chute

Roue universelle

Contacts de charge

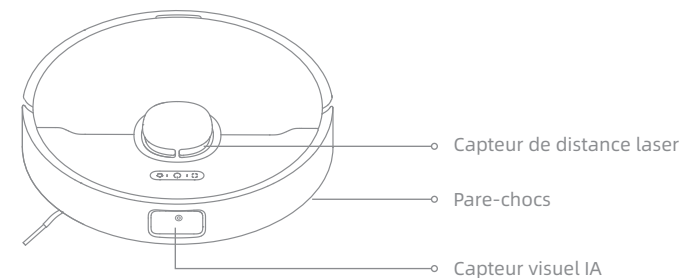
Brosse latérale

Roues principales

Brosse principale

Attaches de sécurité de la brosse

Capteurs du robot



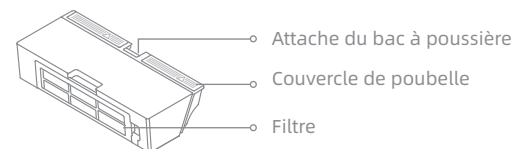
Capteur de distance laser

Pare-chocs

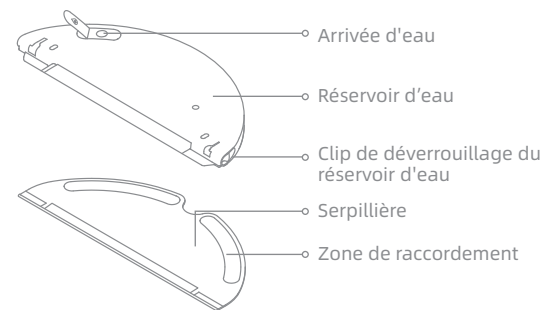
Capteur visuel IA

Présentation du produit

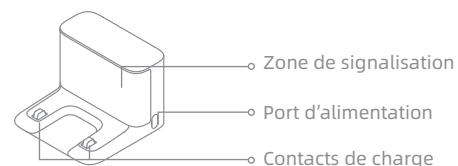
FR Poubelle



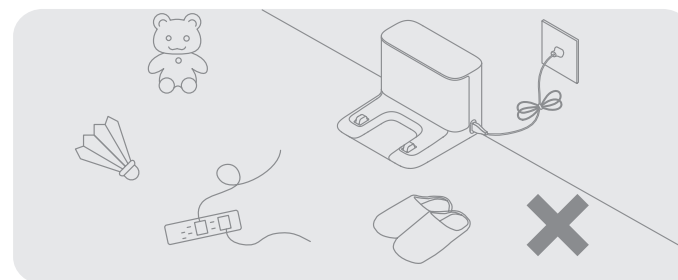
Module de nettoyage



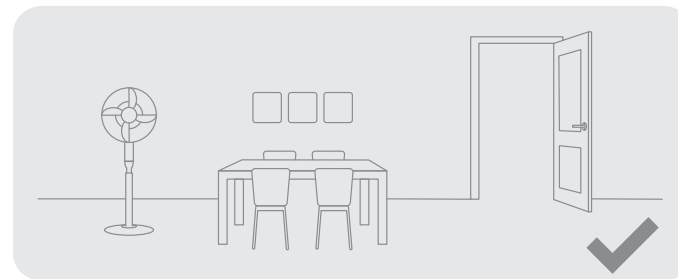
Socle de charge



Préparation de votre maison



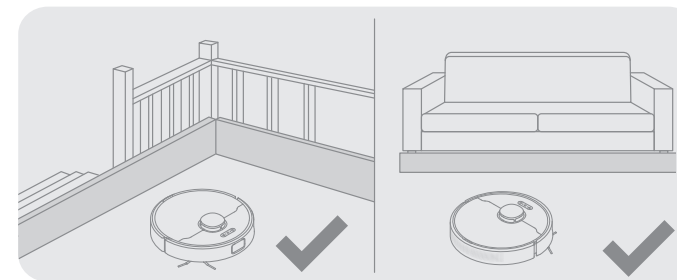
Rangez les objets tels que les cordons d'alimentation, les chiffons, les pantoufles et les jouets pour améliorer l'efficacité du robot.



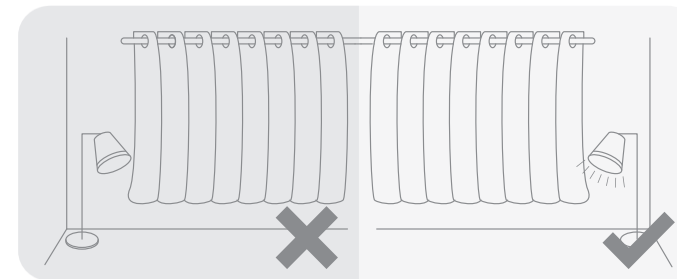
Ouvrez la porte de la pièce à nettoyer, et rangez les meubles dans un endroit approprié pour faire plus de place.

Remarque :

- lorsque vous utilisez le robot pour la première fois, suivez-le pendant le nettoyage afin d'éliminer tout obstacle potentiel à l'avance.
- Pour éviter que le robot ne reconnaisse pas la zone à nettoyer, ne restez pas devant le robot, sur le palier, dans le couloir ou dans les endroits étroits.



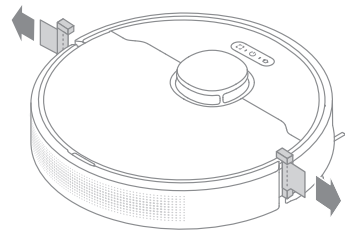
Veuillez utiliser des clôtures physiques pour éviter les zones suspendues ou basses avant le nettoyage afin d'assurer la sécurité et le bon fonctionnement du robot.



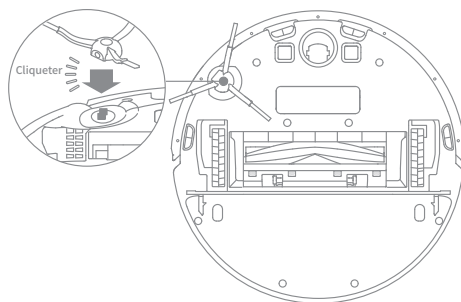
Avec le capteur visuel AI, le robot peut mieux reconnaître et éviter les obstacles tels que les cordons d'alimentation, les chaussures et les chaussettes. Pour tirer le meilleur parti du capteur visuel AI, assurez-vous que toutes les zones à nettoyer sont bien éclairées.

Avant l'utilisation

1. Retirez les bandes de protection



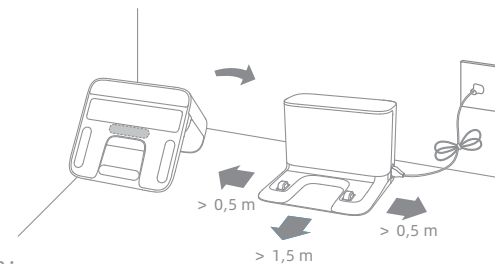
2. Installer la brosse latérale



Remarque : installez la brosse latérale jusqu'à ce qu'elle s'enclenche en place.

3. Installation de la station de charge

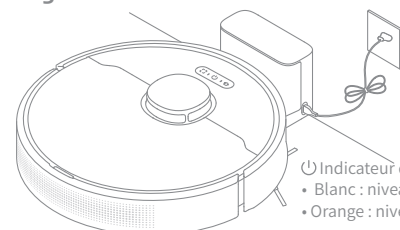
Collez le ruban adhésif double face au bas de la station de charge, puis placez la station de charge sur un sol plat contre le mur et branchez-la à une prise de courant.



Remarque :

- Assurez-vous qu'il y a une distance de 0,5 mètre ou plus de chaque côté de la station de recharge, et une distance de plus de 1,5 mètre devant celle-ci.
- Pour vous assurer que vous pouvez bien vous connecter au robot avec votre téléphone, assurez-vous que le robot et la station de recharge sont à portée du Wi-Fi.
- Ne placez pas la station de recharge dans un endroit directement exposé aux rayons du soleil où d'autres objets pourraient bloquer sa zone de signalisation, car cela pourrait empêcher le robot de retourner à la station de recharge.
- Utilisez du ruban adhésif double face en fonction de vos besoins.
- Veillez nettoyer la zone du sol où la station de charge sera placée avec un chiffon sec.
- Si nécessaire, retirez lentement le ruban double face pour réduire les résidus d'adhésif.

4. Placez le robot sur le quai de chargement pour le recharger



Remarque :

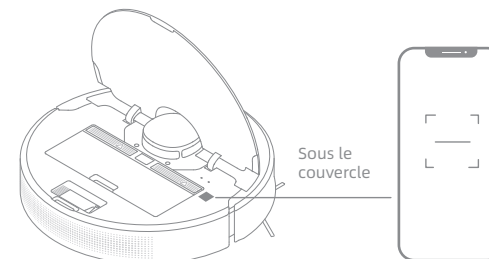
- Charger complètement avant la première utilisation.
- Lors du chargement, il n'est pas recommandé d'installer le module de nettoyage pour éviter que la vadrouille mouillée n'endommage le sol.

Connexion avec Dreamehome App

Ce produit fonctionne avec l'application Dreamehome, afin de contrôler votre appareil.

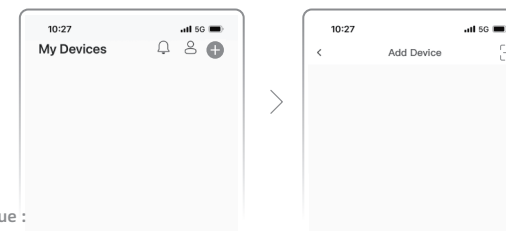
1. Téléchargez l'application Dreamehome

Scannez le code QR sur le robot, ou recherchez "Dreamehome" dans la boutique d'applications pour télécharger et installer l'application en fonction de vos besoins.



2. Ajouter un appareil

Ouvrez l'application Dreamehome, appuyez sur "+" en haut à droite, et scannez à nouveau le code QR ci-dessus pour ajouter "DreameBot D10s Pro". Veuillez suivre les instructions pour terminer la connexion Wi-Fi.

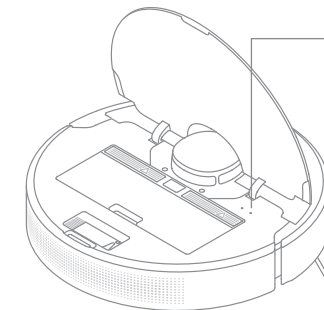


Remarque :

- Seul le Wi-Fi 2,4GHz est pris en charge.
- Le logiciel de l'application est en cours de mise à jour, les opérations réelles peuvent être différentes des instructions dans ce manuel. Veuillez suivre les instructions en fonction de la version actuelle de l'application.

3. Réinitialiser le Wi-Fi

Maintenez simultanément les touches et enfoncées jusqu'à ce que vous entendiez le message « En attente de la configuration réseau ». Lorsque le voyant du Wi-Fi clignote lentement, alors le Wi-Fi a été réinitialisé avec succès.



Indicateur de Wi-Fi

- Clignote lentement : En recherche de connexion
- Clignote rapidement : connexion en cours
- Allumé : connecté



Remarque : lorsque votre téléphone ne parvient pas à se connecter au robot, réinitialisez le Wi-Fi et ajoutez à nouveau l'appareil.

Mode d'utilisation


1. Cartographie rapide

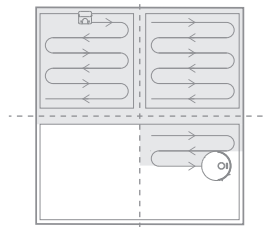
Après avoir configuré le réseau pour la première fois, suivez les instructions de l'application pour créer rapidement une carte, et le robot commencera à cartographier sans nettoyage. Le processus de cartographie sera terminé lorsque le robot retournera à la station de charge, et la carte sera enregistrée automatiquement.

2. Allumer/éteindre

Appuyez sur le bouton  et maintenez-le enfoncé pendant 3 secondes pour allumer le robot, et le voyant d'alimentation est allumé en permanence. Placez le robot sur la station de charge, le robot va s'allumer automatiquement et commencer à se charger. Pour éteindre le robot, éloignez-le de la station de charge et appuyez sur le bouton  pendant 3 secondes.

3. Commencer le nettoyage

Appuyez brièvement sur le bouton  pour commencer le nettoyage après la mise en marche du robot. Ensuite, le robot tracera avec précision un itinéraire, nettoiera méthodiquement le long des bords et des murs, puis finira par nettoyer chaque pièce en forme de S pour assurer un travail complet.



Remarque : Avant une tâche de nettoyage, assurez-vous que le robot démarre depuis la station de charge. Ne déplacez pas le socle de charge pendant le nettoyage du robot.

4. Pause / Veille

Lorsque le robot fonctionne, appuyez sur tout bouton pour le mettre en pause. Si le robot est mis en pause pendant plus de 10 minutes, il passe automatiquement en mode sommeil. Tous les indicateurs du robot s'éteignent. Appuyez sur n'importe quel bouton du robot, ou utilisez l'application pour réveiller le robot.

Remarque :

- Le robot s'éteint automatiquement s'il reste en mode veille pendant plus de 12 heures.
- Lorsque le robot est en pause, vous mettez fin au nettoyage en cours si vous le remplacez sur le socle de charge.


5. Mode Ne pas déranger (DND)

Lorsque le robot est réglé en mode Ne pas déranger (DND), le robot ne peut pas reprendre le nettoyage et le voyant d'alimentation s'éteint. Le mode DND est désactivé par défaut en usine. Vous pouvez utiliser l'application pour activer le mode DND ou modifier la période de DND. La période de mise en veille est de 22:00-8:00 par défaut.

Remarque :

- Les tâches de nettoyage programmées seront effectuées à l'heure pendant la période de mise en veille.
- Le robot reprend le nettoyage du point où il s'est arrêté après l'expiration de la période de mise en veille.

6. Nettoyage local

Lorsque le robot est en veille, appuyez brièvement sur le bouton  pour activer le mode de nettoyage local. Dans ce mode, le robot nettoie une zone de forme carrée de 1,5 x 1,5 mètre autour de lui et revient à son point de départ une fois le nettoyage local terminé.

Mode d'utilisation

7. Nettoyage programmé

Vous pouvez programmer des horaires de nettoyage via l'application Dreamehome. Le robot commencera automatiquement le nettoyage à l'heure définie, puis il retournera au socle de charge une fois qu'il aura terminé.

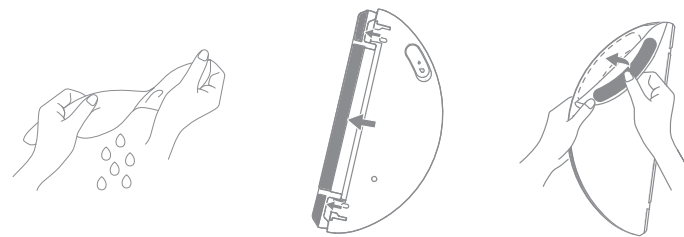
8. Plus de fonctionnalités concernant l'APP

Suivez les instructions sur l'interface de l'APP pour utiliser plus de fonctions. La version de l'application pourrait avoir été mise à jour, veuillez suivre les instructions de la version actuelle de l'application.

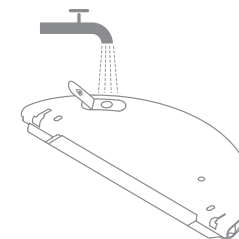
9. Utilisation de la fonction de nettoyage

Il est recommandé de passer l'aspirateur au moins trois fois sur tous les sols avant la première session de nettoyage afin d'obtenir un meilleur effet de nettoyage.

1) Humidifiez la serpillière et essorez de l'eau. Installez le tampon comme indiqué sur le schéma.




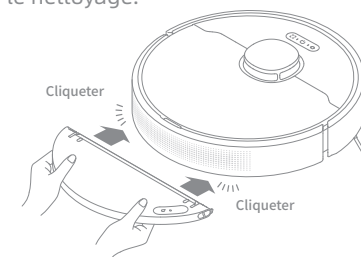
2) Remplissez le réservoir d'eau.



Remarque :

- N'utilisez pas de produits de nettoyage ou de désinfectants.
- Ne remplissez pas l'appareil avec de l'eau chaude, ce qui pourrait déformer le réservoir d'eau.

3) Aligned le module de nettoyage en suivant la flèche, puis faites-le glisser à l'arrière du robot jusqu'à ce que vous entendiez le clic. Appuyez sur le bouton  ou utilisez l'application Dreamehome pour commencer le nettoyage.



Remarque :

- Il n'est pas recommandé d'utiliser la fonction de nettoyage sur les tapis.
- Utilisez l'application pour ajuster le débit d'eau selon vos besoins.

Maintenance de routine

Pièces

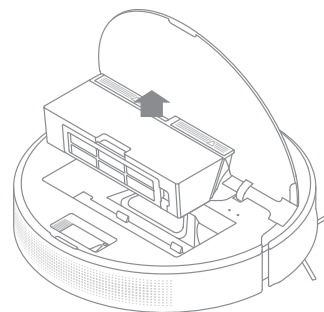
Pour maintenir le robot en bon état, il est recommandé de consulter le tableau suivant pour l'entretien courant.

Pièces	Fréquence d'entretien	Fréquence de remplacement
Serpillère	Après chaque utilisation	Tous les 3 à 6 mois
Brosse principale	Une fois toutes les 2 semaines	Tous les 6 à 12 mois
Filtre du sac à poussière		Tous les 3 à 6 mois
Brosse latérale		
Zones de signalement de la station de charge	Une fois par mois	/
Contacts de charge		
Roue universelle		
Capteur de distance laser		
Capteur visuel IA		
Capteur de chute		
Réservoir d'eau		
Poubelle		

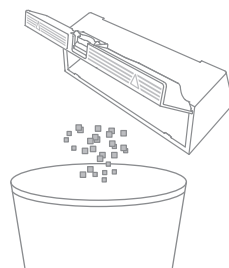
Remarque : la fréquence de remplacement dépend de l'utilisation que vous faites du robot. Si une exception se produit en raison de circonstances particulières, les pièces doivent être remplacées.

Nettoyez le bac à poussière et le filtre

1. Ouvrez le couvercle du robot et appuyez sur l'attache du bac à poussière pour le retirer.

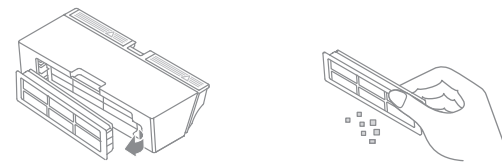


2. Ouvrez le couvercle du bac et videz le bac comme indiqué sur le schéma.



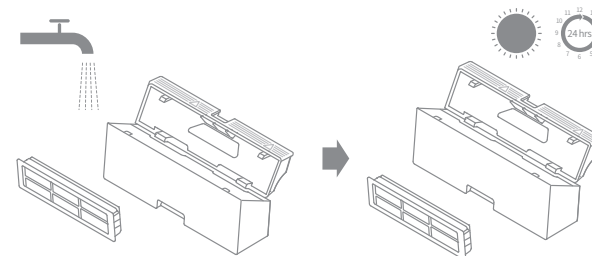
Maintenance de routine

3. Retirez le filtre et tapez doucement sur son panier.



Remarque : n'essayez pas de nettoyer le filtre avec une brosse, un doigt ou des objets pointus pour éviter de l'endommager.

4. Rincez le bac à poussière et le filtre à l'eau et séchez-les complètement avant de les réinstaller.

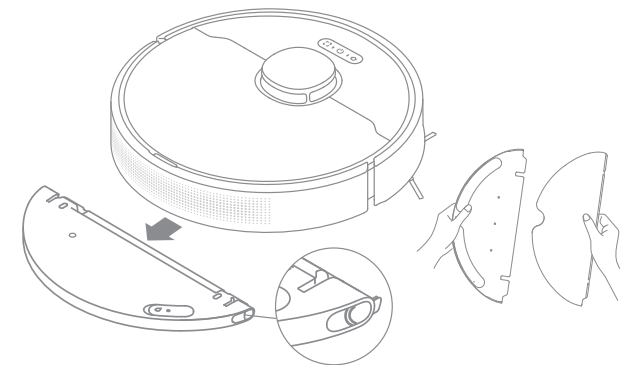


Remarque :

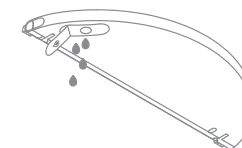
- Rincez le bac à poussière et le filtre à l'eau claire uniquement. N'utilisez pas de détergent.
- N'utilisez le bac à poussière et le filtre que lorsqu'ils sont complètement secs.

Nettoyez le module de nettoyage

1. Faites glisser les deux pinces de libération sur le côté du réservoir d'eau pour retirer le module de balayage, puis retirez le tampon du module de balayage.



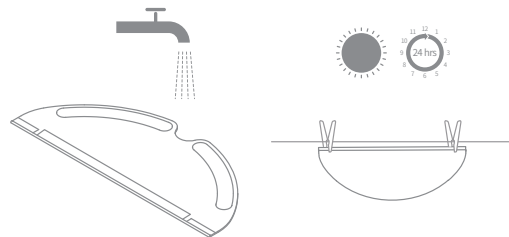
2. Videz l'eau restante du réservoir d'eau et gardez-le au sec naturellement.



Remarque : Ne pas exposer le réservoir directement au soleil.

Maintenance de routine

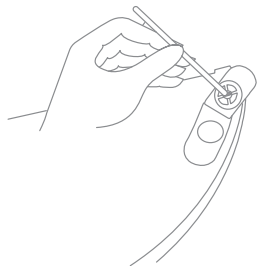
3. Nettoyez la serpillière, puis séchez-la



Remarque :

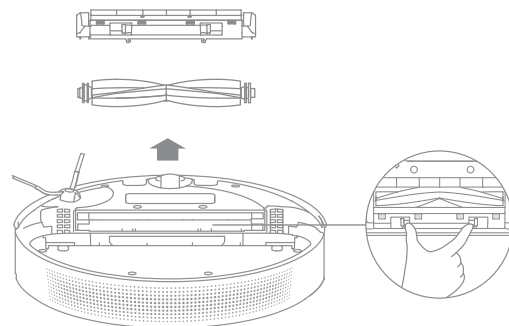
Retirez la serpillière du module de lavage avant de la nettoyer et assurez-vous que l'eau sale ne retourne pas vers la sortie d'eau afin d'éviter tout colmatage.

4. Si vous remarquez que l'eau coule lentement ou que le volume n'est pas bien réparti, veuillez nettoyer le trou d'aération dans le couvercle du réservoir d'eau.

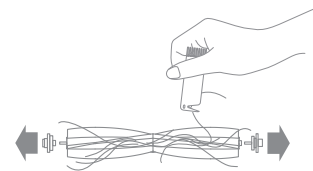


Nettoyez la brosse principale

1. Appuyez sur les clips de protection de la brosse vers l'intérieur pour retirer la protection de la brosse et soulever la brosse pour la sortir du robot.



2. Retirez les couvercles des brosses comme indiqué sur le schéma. Utilisez l'outil de nettoyage fourni pour retirer les cheveux emmêlés dans la brosse.

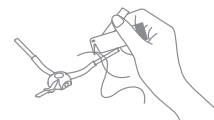


Remarque : Ne tirez pas excessivement fort sur les cheveux emmêlés dans la brosse. Sinon, la brosse principale risque d'être endommagée.

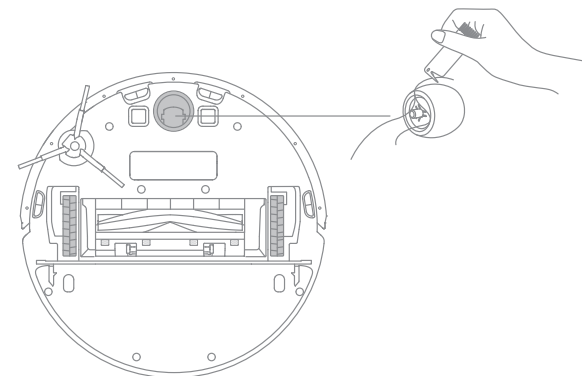
Maintenance de routine

Nettoyer la brosse latérale

Sortez la brosse latérale et utilisez l'outil de nettoyage inclus pour enlever les cheveux emmêlés dans la brosse.



Nettoyez la roue principale et la roue universelle

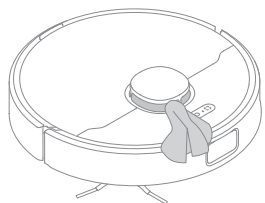


Remarque : Utilisez un outil tel qu'un petit tournevis pour séparer l'essieu et le pneu de la roue universelle.

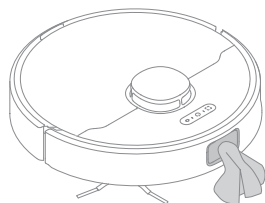
Maintenance de routine

Remarque : Veuillez utiliser un torchon sec pour le nettoyage, car le robot et la station de chargement intérieure possèdent des éléments sensibles. N'utilisez pas de torchon humide pour éviter les dommages causés par l'eau.

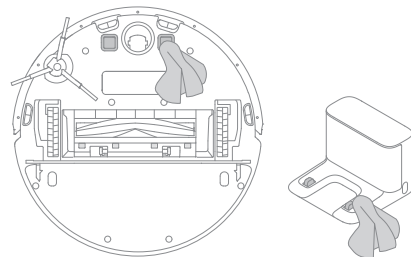
Nettoyez le capteur laser LDS



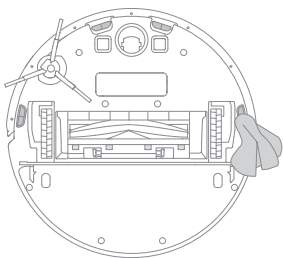
Nettoyez le capteur visuel AI





Nettoyez le contact de charge



Nettoyer le capteur de chute



Redémarrage du robot

Si le robot cesse de répondre ou ne peut pas être éteint, appuyez et maintenez le bouton  pendant 10 secondes pour l'éteindre de force. Ensuite, appuyez sur le bouton  et maintenez-le enfoncé pendant 3 secondes pour remettre le robot en marche.

Batterie

Le robot contient une batterie lithium-ion haute performance. Veuillez vous assurer qu'il reste bien chargé pendant l'utilisation quotidienne pour garantir une performance optimale de la batterie. Si le robot n'est pas utilisé pendant une longue période, éteignez-le et rangez-le. Afin qu'il ne soit pas endommagé en raison d'une décharge excessive, le robot doit être rechargé au moins une fois tous les trois mois.

FAQ

Problème	Solution
Le robot ne s'allume pas	Le niveau de batterie est faible. Rechargez le robot à l'aide du socle de charge, puis réessayez. La température de la batterie est trop basse ou trop élevée. Il est recommandé de faire fonctionner l'appareil à une température entre 32 °F (0°C) et 104 °F (40°C).
Le robot ne se charge pas	Le socle de charge n'est pas alimenté. Veuillez vérifier que les deux extrémités du cordon d'alimentation sont bien branchées. Problème de contact. Nettoyez les contacts de charge du socle de charge et du robot.
Le robot ne retourne pas au socle de charge	Il y a trop d'obstacles autour du socle de charge. Placez le socle de charge dans une zone plus ouverte. Veuillez nettoyer la zone d'émission de signal du socle.
Le robot ne fonctionne pas correctement	Éteignez-le robot, puis rallumez-le.
Le robot émet un bruit étrange	Un objet étranger est probablement coincé dans la brosse principale, la brosse latérale ou l'une des roues principales. Arrêtez le robot et enlevez les débris.
Le robot ne nettoie plus correctement ou n'élimine pas toute la poussière	Le bac à poussière est plein. Veuillez le nettoyer. Le filtre est obstrué. Veuillez le nettoyer. Un objet étranger est coincé dans la brosse principale. Veuillez la nettoyer.
Le robot ne peut pas se connecter au Wi-Fi	Un problème avec la connexion Wi-Fi est survenu. Réinitialisez le Wi-Fi et téléchargez la dernière version de l'application Dreamehome, puis essayez de vous reconnecter. Le système de localisation n'est pas ouvert. Veuillez vous assurer que le système de localisation de l'application Dreamehome est ouvert. Le signal Wi-Fi est faible. Assurez-vous que le robot est dans une zone offrant une bonne couverture Wi-Fi. Le Wi-Fi à 5 GHz n'est pas pris en charge. Veuillez vous assurer que votre robot peut se connecter à un signal Wi-Fi 2,4 GHz. Le nom d'utilisateur ou le mot de passe du Wi-Fi est incorrect. Veuillez vous assurer que le nom d'utilisateur et le mot de passe saisis sont corrects.
Le robot n'effectue pas le nettoyage programmé	Le niveau de batterie du robot est faible. Le nettoyage programmé ne commence pas tant que le robot ne dispose pas d'au moins 15 % de batterie.

Problème	Solution
Est-ce que de l'énergie continue d'être consommée lorsque je laisse le robot sur le socle de charge tandis qu'il est déjà chargé ?	Laisser le robot sur le socle de charge lorsqu'il est entièrement chargé consomme une très petite quantité d'électricité et aide à garantir une performance optimale de la batterie.
Il n'y a pas d'eau qui sort du réservoir d'eau, ou seulement un peu d'eau	Vérifiez que le réservoir d'eau est rempli et nettoyez la serpillière, le cas échéant. Nettoyez la serpillière si elle est sale. Assurez-vous que la serpillière est bien installée conformément au mode d'emploi. Nettoyez le trou d'air du réservoir d'eau.
Le robot ne reprend pas le nettoyage après la charge	Assurez-vous que le robot n'est pas en mode Ne pas déranger, car cela l'empêcherait de reprendre le nettoyage. Le robot ne reprend pas le nettoyage après avoir été placé sur le socle de charge ou chargé manuellement.
Le robot ne retourne pas au socle de charge après avoir été déplacé	Le déplacement du robot peut l'obliger à se repositionner ou à cartographier à nouveau ses environs. Si le robot est trop éloigné du socle de charge, il ne pourra pas y retourner automatiquement. Vous devrez alors le placer manuellement sur le socle de charge.

Pour des services supplémentaires, veuillez nous contacter via aftersales@dreame.tech
 Site Web : <https://global.dreametech.com>

Spécifications

Robot

Modèle	RLS6A
Temps de Charge	Environ 6 heures
Tension nominale	14,4 V $\overline{\text{---}}$
Puissance nominale	46 W
Fréquence de fonctionnement	2400-2483,5 MHz
Puissance maximale en sortie	< 20 dBm

Socle de charge

Modèle	RCS0
Entrée nominale	100-240 V~50/60 Hz 0,5 A
Sortie nominale	19,8 V $\overline{\text{---}}$ 1 A

Dans des conditions normales d'utilisation, cet équipement doit être maintenu à une distance d'au moins 20 cm entre l'antenne et le corps de l'utilisateur.



FR

Cet appareil, ses accessoires, piles et cordons se recyclent

À DÉPOSER EN MAGASIN

À DÉPOSER EN DÉCHÈTERIE

Points de collecte sur www.quefairedemesdechets.fr
 Privilégiez la réparation ou le don de votre appareil !

Mise au rebut et retrait de la batterie

FR

La batterie lithium-ion intégrée contient des substances dangereuses pour l'environnement. Avant de mettre la batterie au rebut, assurez-vous qu'elle est retirée par des techniciens qualifiés et mise au rebut dans un centre de recyclage approprié.

- la batterie doit être retirée de l'appareil avant d'être mise au rebut ;
- l'appareil doit être déconnecté du réseau électrique lors du retrait de la batterie ;
- la batterie doit être mise au rebut en toute sécurité.

ATTENTION:

- Avant de retirer la batterie, débranchez l'appareil et videz la batterie autant que possible.
- Les batteries inutilisées doivent être mises au rebut dans un centre de recyclage approprié.
- Ne pas exposer à un environnement à haute température pour éviter les risques d'explosion.
- Dans des conditions abusives, un liquide peut être éjecté de la batterie. En cas de contact, rincez à l'eau et consultez un médecin.

WEEE-Informationen



Tous les produits portant ce symbole deviennent des déchets d'équipements électriques et électroniques (DEEE dans la Directive européenne 2012/19/UE) qui ne doivent pas être mélangés aux déchets ménagers non triés. Vous devez contribuer à la protection de l'environnement et de la santé humaine en apportant l'équipement usagé à un point de collecte dédié au recyclage des équipements électriques et électroniques, agréé par le gouvernement ou les autorités locales. Le recyclage et la destruction appropriés permettront d'éviter tout impact potentiellement négatif sur l'environnement et la santé humaine. Contactez l'installateur ou les autorités locales pour obtenir plus d'informations concernant l'emplacement ainsi que les conditions d'utilisation de ce type de point de collecte.

Informazioni di sicurezza

Per evitare scosse elettriche, incendi o lesioni causate da un uso improprio dell'apparecchio, per favore leggi attentamente il manuale utente prima di usare l'apparecchio e conservalo per riferimento futuro.

IT

Restrizioni per l'utilizzo

- Questo prodotto non deve essere utilizzato da bambini di età inferiore a 8 anni, né da persone con deficit fisici, sensoriali, cognitivi, esperienza o conoscenza limitata, senza la supervisione di un genitore o tutore, al fine di garantire la sicurezza del funzionamento ed evitare eventuali rischi. La pulizia e la manutenzione non devono essere eseguite da bambini senza supervisione.
- Non consentire ai bambini di giocare con questo prodotto. Assicurarsi che bambini e animali domestici siano a distanza di sicurezza dal robot mentre è in funzione.
- Questo prodotto deve essere usato solo per pulire i pavimenti di casa. Non va usato all'esterno, su superfici diverse dai pavimenti o in ambito commerciale o industriale.
- Se il cavo di alimentazione viene danneggiato o è spezzato, interrompere immediatamente l'utilizzo e contattare il servizio di assistenza post-vendita.
- Non utilizzare il robot in un ambiente sospeso sopra il livello del suolo senza una barriera protettiva.
- Non posizionare il robot capovolto. Non usare la copertura LDS, la copertura del robot o il paraurti come maniglia per il robot.
- Non usare l'robot a una temperatura ambiente oltre i 40°C o al di sotto di 0°C o su pavimenti dove sono presenti liquidi o sostanze appiccicose.
- Togliere da terra eventuali cavi prima di utilizzare il robot, per evitare che vengano tirati durante la pulizia.
- Spostare dal pavimento gli oggetti fragili o piccoli per evitare che il robot li urti e li danneggi.
- Per evitare danni o danni causati dal trascinarsi, elimina eventuali oggetti sciolti

Informazioni di sicurezza

Restrizioni per l'utilizzo

- dal pavimento e rimuovi cavi o cavi di alimentazione sul percorso di pulizia prima di usare l'apparecchio.
- Tenere lontani capelli, dita e altre parti del corpo dalla boccola di aspirazione del robot.
- Tenere lo strumento per la pulizia della spazzola lontano dalla portata dei bambini.
- Non posizionare bambini, animali domestici o nessun altro oggetto sul robot, sia quando è fermo sia quando è in movimento.
- Non usare il robot per pulire eventuali sostanze infiammabili. Non usare il robot per raccogliere liquidi infiammabili o combustibili, gas corrosivi o acidi o solventi non diluiti.
- Non usare l'aspirapolvere su oggetti duri e taglienti. Non usare l'apparecchio per raccogliere oggetti come sassi, pezzi di carta grandi o qualsiasi altro oggetto che possa ostruire l'apparecchio.
- Accertarsi che il robot sia spento e che la base di ricarica sia scollegata prima di pulire o effettuare operazioni di manutenzione.
- Non usare un panno umido per pulire o alcun liquido per risciacquare il robot e la stazione di ricarica. Le parti lavabili devono essere completamente asciugate prima di installarle e usarle.
- Accertarsi che l'robot sia spento durante il trasporto e conservarlo nella sua confezione originale, se possibile.
- Utilizzare il prodotto seguendo le istruzioni fornite nel manuale utente. Gli utenti sono responsabili di eventuali perdite o danni derivanti dall'uso improprio dell'apparecchio.

Informazioni di sicurezza

Batterie e Ricarica

- Non usare qualsiasi batteria, cavo di alimentazione o dock di ricarica di terze parti. Utilizzare soltanto con l'unità di alimentazione RCS0.
- Non tentare di smontare, riparare o modificare la batteria o la base di ricarica da soli.
- Non posizionare la base di ricarica vicino a fonti di calore.
- Non usare panni umidi o mani bagnate per strofinare o pulire i contatti della base di ricarica.
- Non smaltire in modo improprio le batterie usate. Smaltire le batterie non più necessarie in appositi impianti di riciclaggio.
- Se l'robot non viene utilizzato per diverso tempo, ricaricarlo completamente, quindi spegnerlo e conservarlo in un posto fresco e asciutto. Ricaricare l'robot almeno una volta ogni 3 mesi per evitare uno scaricamento eccessivo della batteria.
- Questo prodotto contiene batterie che possono essere sostituite soltanto da tecnici qualificati o dal servizio di assistenza post-vendita.

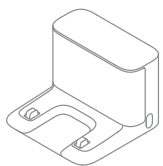
Informazioni di sicurezza sul laser

- Il sensore laser di questo prodotto soddisfa lo Standard IEC 60825-1: 2014 per i prodotti laser di Classe 1. Per favore evita il contatto visivo diretto con esso durante l'uso.

Par la présente, Dreame Trading (Tianjin) Co., Ltd. déclare que cet équipement radio de type RLS6A est conforme à la Directive européenne 2014/53/UE. L'intégralité de la déclaration de conformité pour l'UE est disponible à l'adresse suivante: <https://global.dreametech.com>
Il manuale elettronico dettagliato è disponibile all'indirizzo <https://global.dreametech.com/pages/user-manuals-and-faqs>

Presentazione del prodotto

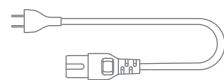
Accessori



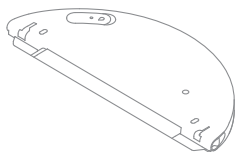
Stazione di ricarica



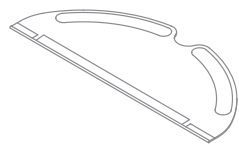
Strumento di pulizia



Cavo di Alimentazione



Serbatoio d'acqua



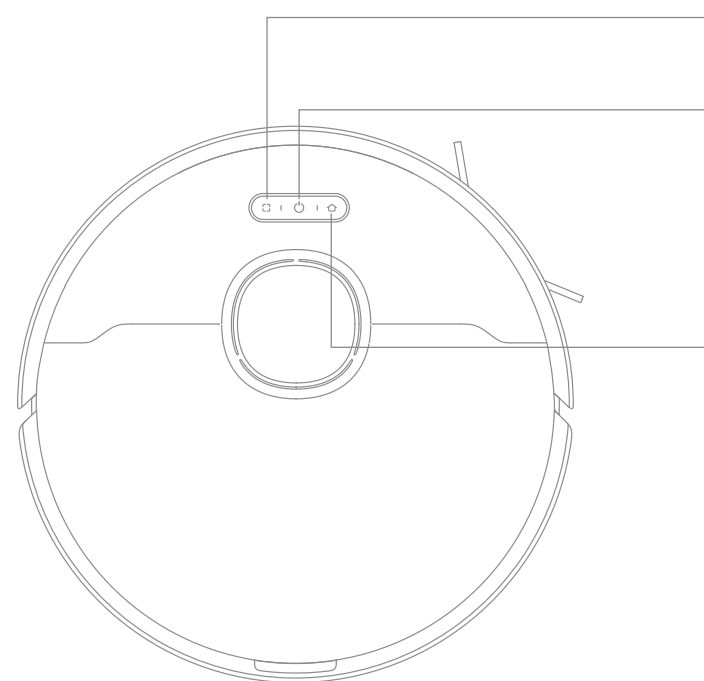
Mocio



Spazzola laterale

Presentazione del prodotto

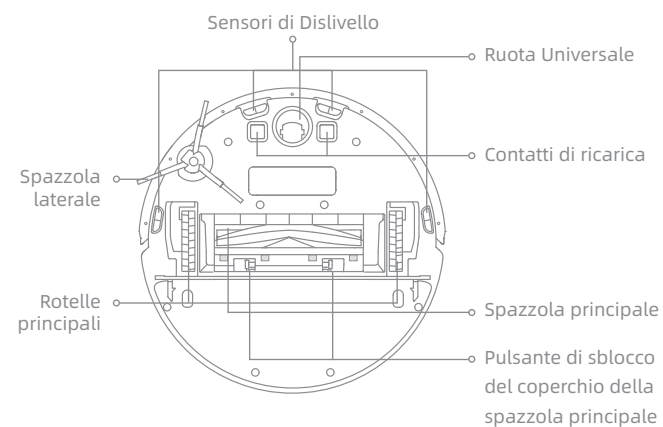
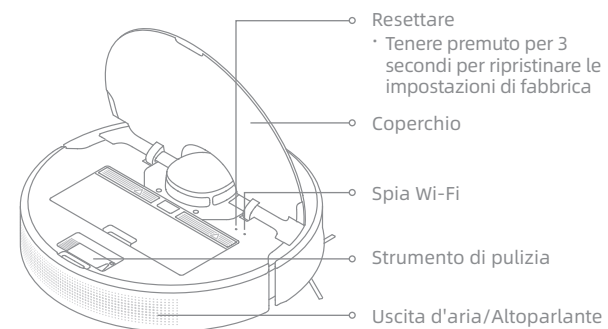
Robot



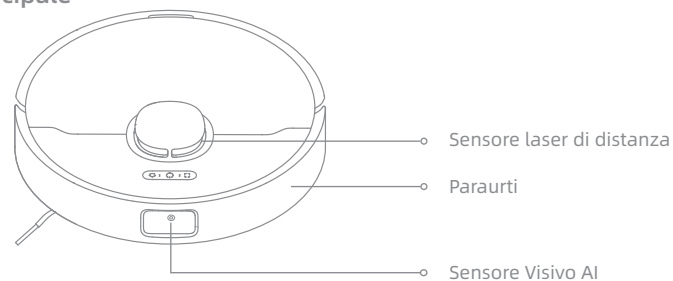
- Pulsante di Pulizia delle Macchie
 - Premi brevemente per avviare la pulizia delle macchie
 - Pulsante di accensione/spegnimento/pulizia
 - Premi e tieni premuto per 3 secondi per accendere o spegnere
 - Premi brevemente per avviare la pulizia dopo che il robot è acceso
 - Pulsante Dock
 - Premere il pulsante velocemente per attivare il ritorno in ricarica
 - Premi e tieni premuto per 3 secondi per disabilitare Blocco Bambini
- Indicatore di stato
- Luce bianca fissa: pulizia in corso o completa
 - Luce arancione lampeggia: errore
 - Blu: Monitoraggio della fotocamera abilitato

Presentazione del prodotto

Robot



Sensore del dispositivo principale

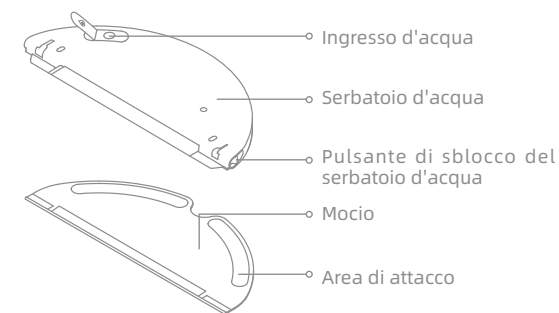


Presentazione del prodotto

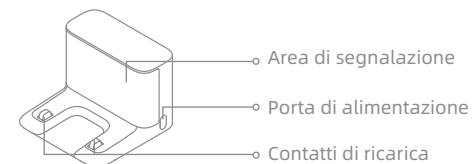
Contentore Raccogli-polvere



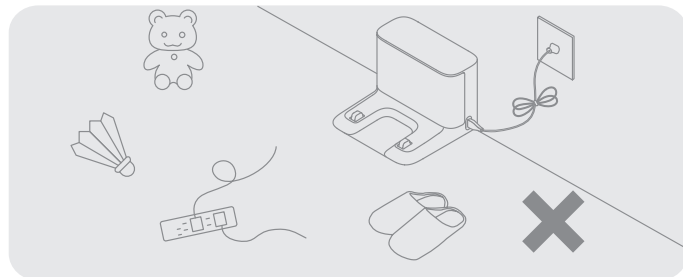
Modulo di lavaggio



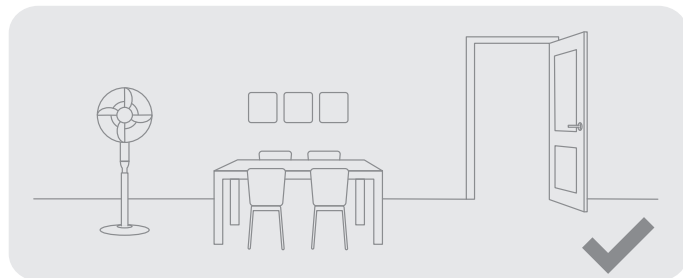
Stazione di ricarica



Prepara la Tua Casa



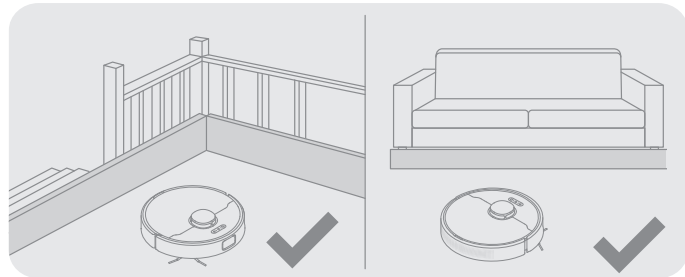
Riordina oggetti come cavi di alimentazione, panni, pantofole e giocattoli per migliorare l'efficienza del robot.



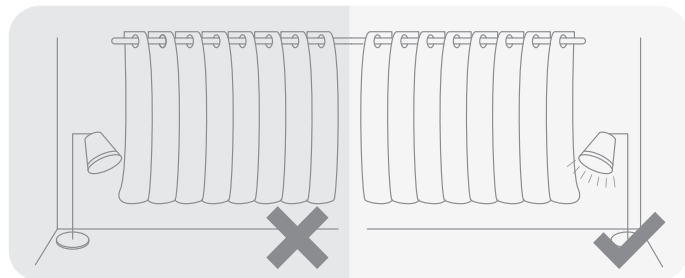
Aprire la porta della zona da pulire e mettere i mobili in posizione ordinata per lasciare uno spazio sufficiente.

Nota:

- Quando usi il robot per la prima volta, seguilo durante la pulizia per rimuovere eventuali ostacoli in tempo.
- Per evitare che il robot non riconosca l'area da pulire, non sostare davanti al robot, alla soglia o al corridoio stretto.



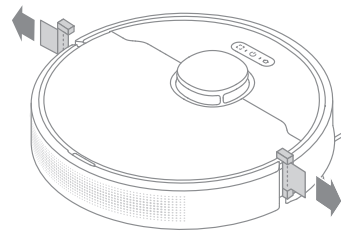
Prima della pulizia, utilizzare una barriera fisica sul bordo delle scale e del divano per garantire un funzionamento sicuro e regolare del robot.



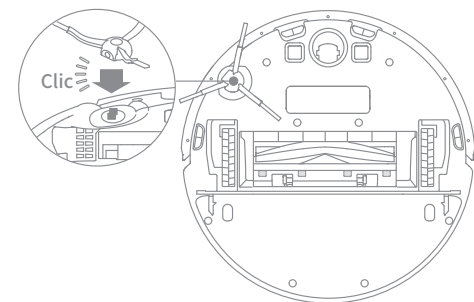
Con il sensore visivo AI, il robot può riconoscere ed evitare meglio ostacoli come cavi di alimentazione, scarpe e calze, per ottenere il massimo dal sensore visivo AI, assicurati che tutte le aree da pulire siano ben illuminate.

Prima dell'Uso

1. Rimuovi le strisce protettive



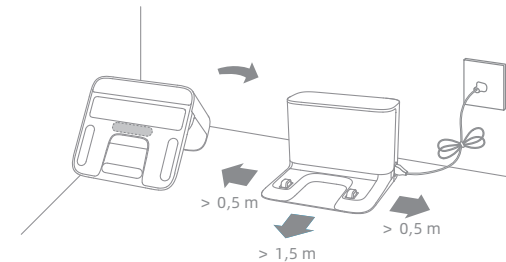
2. Installazione delle spazzole laterali



Nota: Installa la spazzola laterale finché non scatta in posizione.

3. Installare la base di ricarica

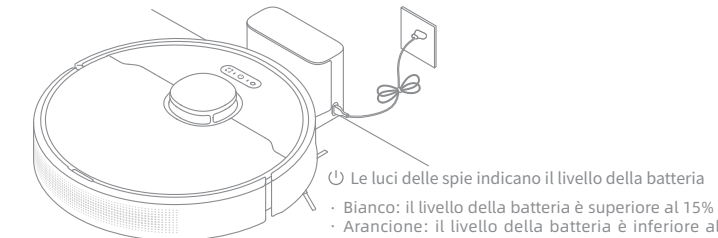
Attacca il nastro biadesivo nella parte inferiore della base di ricarica, quindi posiziona la base su una superficie piana contro il muro e collegala a una presa di corrente.



Nota:

- Assicurarsi che non ci sia altri oggetti alla distanza di 0,5 metri su entrambi i lati e 1,5 metri alla parte anteriore della stazione di ricarica.
- Assicurati che il robot e la stazione di ricarica si trovino nella zona coperta da Wi-Fi per essere certo che il robot si connetta bene al tuo telefono.
- Non posizionare la stazione di ricarica sotto la luce diretta del sole o dove altri oggetti potrebbero bloccare il suo segnale, perché questo potrebbe impedire al robot di ritornare alla stazione di ricarica.
- L'uso del nastro biadesivo si basa sulle tue esigenze.
- Per favore pulisci l'area del pavimento dove verrà posizionata la base di ricarica con uno straccio asciutto.
- Se necessario, rimuovi lentamente il nastro biadesivo per ridurre i residui di adesivo.

4. Posizionare il robot sulla stazione di ricarica



Nota:

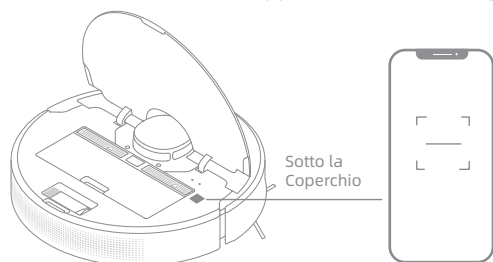
- Prima del suo primo utilizzo ricaricarlo completamente
- Non installare il modulo di lavaggio durante la ricarica. Fai molta attenzione con il mocio bagnato in quanto può danneggiare il pavimento.

Connettiti con l'App Dreamehome

Questo prodotto funziona con l'app Dreamehome, che può essere usata per controllare il dispositivo.

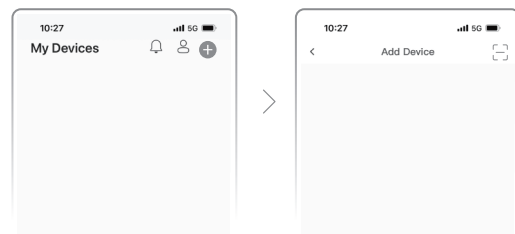
1. Scaricare l'App Dreamehome per la casa

Scansiona il codice QR sul robot o cerca "Dreamehome" nell'app store per scaricare e installare l'app in base alle tue esigenze.



2. Aggiungi dispositivo

Apri il Dreamehome, tocca "+" in alto a destra e scansiona nuovamente il codice QR sopra per aggiungere "DreameBot D10s Pro". Per favore segui le istruzioni per terminare la connessione Wi-Fi.

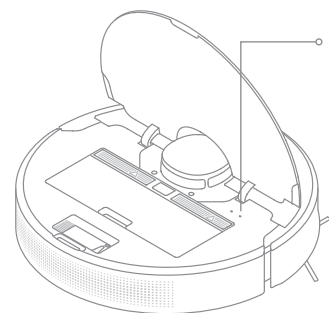


Nota:

- La connessione Wi-Fi supporta solo il segnale su banda 2,4 GHz.
- Il software dell'app è in fase di aggiornamento, le operazioni effettive potrebbero essere diverse dalle dichiarazioni in questo manuale. Per favore segui le istruzioni in base alla versione corrente dell'app.

3. Ripristino della connessione Wi-Fi

Aprire la coperchia per vedere la pia Wi-Fi, tenere premuto i pulsanti e fino a quando non si sente la voce che dice "Attende la configurazione della rete". Una volta che l'indicatore Wi-Fi lampeggia lentamente, il dispositivo principale è in modalità della connessione di rete.



Spia Wi-Fi

- Lampeggia lentamente: Attende la connessione
- Lampeggia velocemente: Si sta connettendo
- Acceso: Connesso

Nota: Quando il telefono non si connette con successo al robot, fai il reset del Wi-Fi e aggiungi nuovamente il dispositivo.

Istruzioni utente

1. Mappatura Veloce

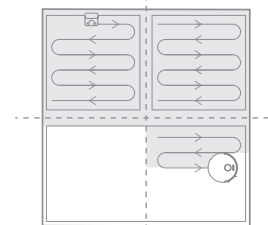
Dopo aver configurato la rete per la prima volta, segui le istruzioni sull'app per creare rapidamente una mappa e il robot inizierà a mappare senza pulizia. Il processo di mappatura sarà completato quando il robot tornerà al dock di ricarica e la mappa verrà salvata automaticamente.

2. Accensione/Spegnimento

Premi e tieni premuto il pulsante per 3 secondi per accendere il robot e l'indicatore di alimentazione è permanentemente acceso. Posiziona il robot sul dock di ricarica, il robot dovrebbe accendersi automaticamente e iniziare la ricarica. Per spegnere il robot, allontana il robot dal dock, premi e tieni premuto il pulsante per 3 secondi.

3. Avvio pulizia

Premi brevemente il pulsante per avviare la pulizia dopo che il robot è stato acceso. Quindi, il robot mapperà accuratamente un percorso, pulirà metodicamente lungo i bordi e le pareti, quindi finirà pulendo ogni stanza secondo uno schema a forma di S per garantire un lavoro accurato.



Nota: Prima di un compito di pulizia, assicurati che il robot si avvii dal dock di ricarica. Non spostare la stazione di ricarica mentre il robot sta pulendo.

4. Pausa / Sonno

Quando il robot è in funzione, premi un pulsante qualsiasi per metterlo in pausa. Se il robot viene messo in pausa per più di 10 minuti, entra automaticamente in modalità di sospensione. Tutti gli indicatori sul robot si spegneranno. Premi un pulsante qualsiasi sul robot o usa l'app per svegliare il robot.

Nota:

- Il robot si spegnerà automaticamente se lasciato in modalità riposo per più di 12 ore quando non è in ricarica.
- Quando il dispositivo principale è in pausa, l'attività di pulizia terminerà se viene posizionato sulla stazione di ricarica.

5. Modalità Non Disturbare (DND)

Quando il robot è impostato sulla modalità Non Disturbare (DND), al robot verrà impedito di riprendere la pulizia e l'indicatore di alimentazione si spegne. La modalità DND è disabilitata per impostazione predefinita in fabbrica. Puoi usare l'app per abilitare la modalità DND o modificare il periodo DND. Il periodo DND è 22: 00 - 8: 00 per impostazione predefinita.

Nota:

- I compiti di pulizia programmati verranno eseguiti in tempo durante il periodo DND.
- Il robot riprenderà la pulizia da dove era stata interrotta dopo la scadenza del periodo DND.

6. Pulizia delle Macchie

Quando il robot è in standby, premi brevemente il pulsante per abilitare la modalità di pulizia delle macchie. In questa modalità, il robot pulisce un'area di forma quadrata di 1,5 x 1,5 metri intorno ad essa e torna al punto di partenza una volta completata la pulizia delle macchie.

Istruzioni utente

7. Pulizia programmata

È possibile programmare l'ora per la pulizia nell'app Dreamehome. Il robot inizierà a pulire automaticamente all'orario selezionato e, una volta conclusa la pulizia, tornerà sulla stazione di ricarica per ricaricarsi.

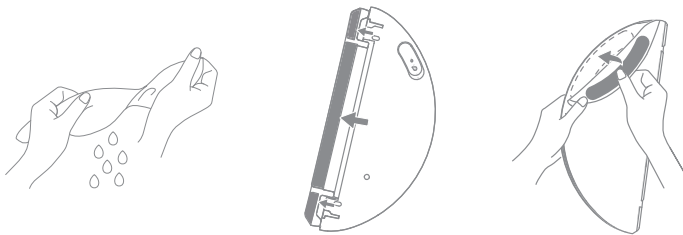
8. Più funzioni nell'App

Segui le istruzioni sull'interfaccia dell'App per utilizzare più funzioni. La versione dell'app potrebbe essere stata aggiornata e si prega di seguire le istruzioni che fanno riferimento alla versione corrente.

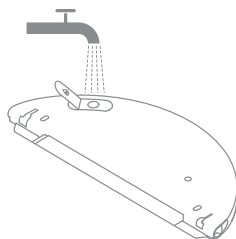
9. Usare la funzione di lavaggio

Si raccomanda di procedere all'aspirazione del pavimento almeno tre volte prima della prima sessione di lavaggio per avere una migliore pulizia.

1) Inumidire il panno di lavaggio e strizzare l'acqua in eccesso. Installa il mocio come mostrato nel diagramma.




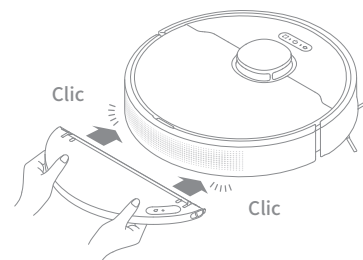
2) Riempi il serbatoio con acqua.



Nota:

- Non utilizzare detersivi o disinfettanti.
- Non riempire con acqua calda, che potrebbe causare la distorsione del serbatoio d'acqua.

3) Installare il serbatoio nel dispositivo, e farlo scorrere fino in fondo finché non scatta in posizione con un "clic". Premere il pulsante  oppure utilizzare l'app Dreamehome per avviare la pulizia.



Nota:

- Non è raccomandato usare la funzione di lavaggio sui tappeti.
- Usare l'app per regolare il flusso d'acqua a seconda della necessità.

Manutenzione quotidiana

Parti

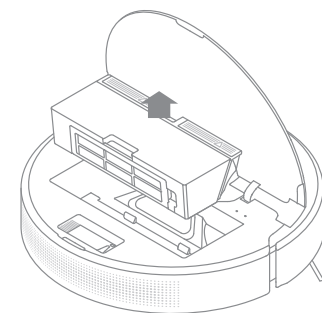
Per mantenere il robot in buone condizioni, si consiglia di fare riferimento alla tabella seguente per la manutenzione ordinaria.

Parte	Frequenza di Manutenzione	Frequenza di Sostituzione
Mocio	Dopo ogni uso	Ogni 3 - 6 mesi
Spazzola principale	Una volta ogni 2 settimane	Ogni 6 - 12 mesi
Filtro del Contenitore della Polvere		Ogni 3 - 6 mesi
Spazzola laterale		
Area di segnalazione della base di ricarica	Una volta ogni mese	/
Contatti di ricarica		
Ruota Universale		
Sensore laser di distanza		
Sensore Visivo AI		
Sensori di Dislivello		
Serbatoio d'acqua	Pulire secondo necessità	/
Contenitore Raccogli-polvere		

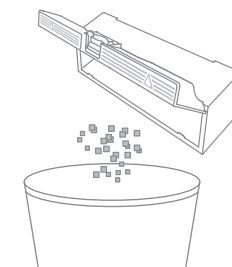
Nota: La frequenza di sostituzione dipenderà dal tuo utilizzo del robot. Se si verifica un'eccezione a causa di circostanze speciali, le parti devono essere sostituite.

Pulizia del raccogli-polvere e del filtro

1. Apri il coperchio del robot e premi il gancio del contenitore della polvere per rimuovere il bidone della polvere.

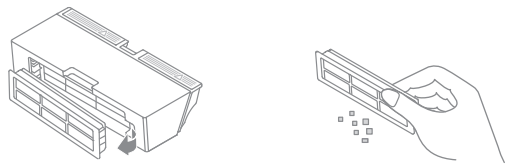


2. Apri il coperchio del bidone e svuota il bidone come mostrato nel diagramma.



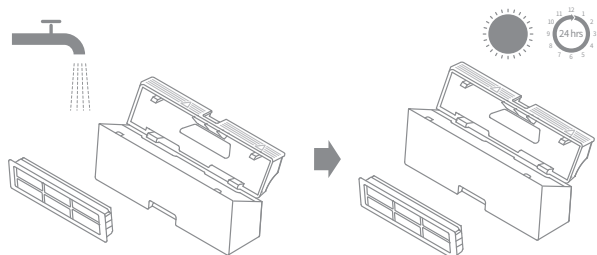
Manutenzione quotidiana

3. Rimuovi il filtro e tocca delicatamente il suo cestello.



Nota: Non tentare di pulire il filtro con una spazzola, un dito o oggetti appuntiti per evitare danni.

4. Sciacqua il contenitore della polvere e il filtro con acqua e asciugali completamente prima di reinstallarli.

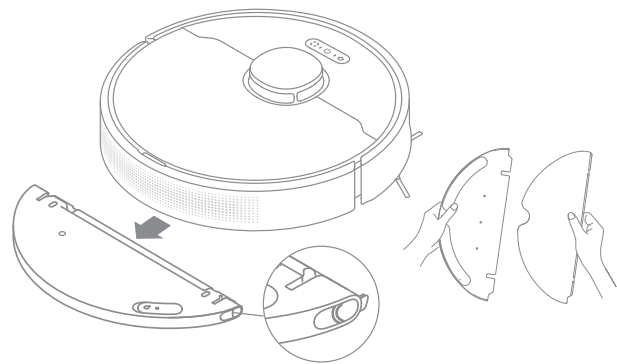


Nota:

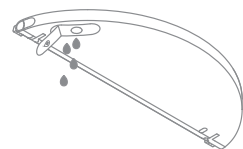
- Sciacqua il bidone della polvere e il filtro solo con acqua pulita. Non usare alcun detersivo.
- Usa il bidone della polvere e il filtro solo quando sono completamente asciutti.

Pulizia del modulo di lavaggio

1. Fai scorrere le due morsetti di rilascio sul lato del serbatoio dell'acqua per rimuovere il modulo di pulizia, quindi estrai il mocio dal modulo di pulizia.



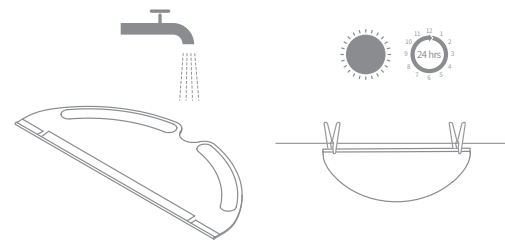
2. Svuotare l'acqua rimanente nel serbatoio d'acqua e lasciarlo asciugare naturalmente.



Nota: Non esporre il serbatoio alla luce diretta del sole.

Manutenzione quotidiana

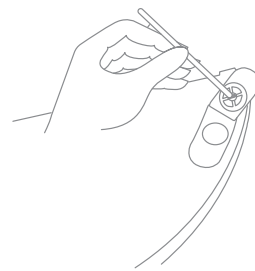
3. Pulire e far asciugare il panno di lavaggio.



Nota:

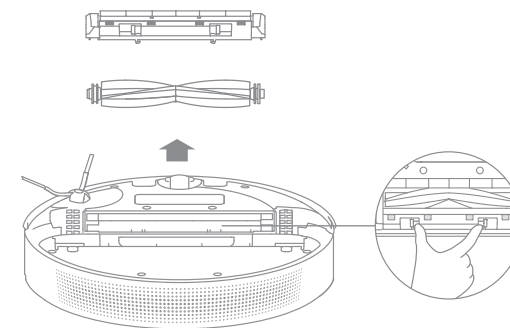
• Rimuovere il panno e pulirlo dopo la pulizia per evitare che l'acqua sporca ritorni nell'uscita d'acqua e causi intasamenti.

4. Se il volume del flusso d'acqua non è ben distribuito o rallentato si prega di pulire la bocchetta d'aria sul coperchio del serbatoio.

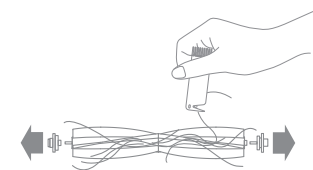


Pulizia della spazzola principale

1. Premi i ganci di guardia della spazzola verso l'interno per rimuovere la guardia della spazzola e sollevare la spazzola dal robot.



2. Estrai i coperchi della spazzola come mostrato nel diagramma. Usa lo strumento di pulizia fornito per rimuovere i capelli aggrovigliati nella spazzola.



Nota: Se i capelli sono strettamente aggrovigliati alla spazzola non tirarli con forza per evitare di danneggiarla.

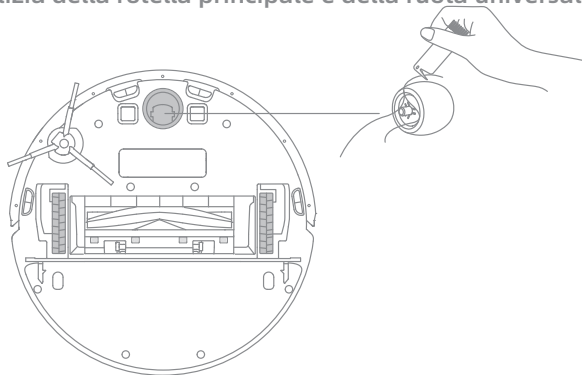
Manutenzione quotidiana

Pulizia della spazzola laterale

Estrai la spazzola laterale e usa lo strumento di pulizia incluso per rimuovere qualsiasi capello aggrovigliato nella spazzola.



Pulizia della rotella principale e della ruota universale

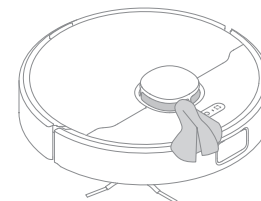


Nota: Usa uno strumento come un piccolo cacciavite per separare l'asse e il pneumatico della ruota universale.

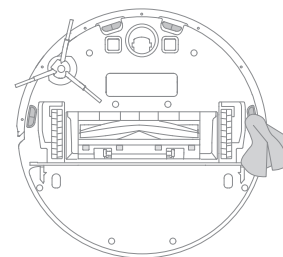
Manutenzione quotidiana

Nota: Si prega di usare uno straccio asciugato per la pulizia, visto che il dispositivo principale e l'interno della stazione di ricarica contengono elementi sensibili. Non usare stracci bagnati per evitare danneggiamenti causati dall'acqua.

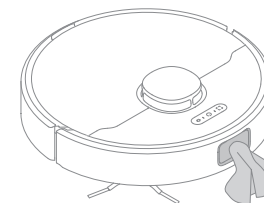
Pulire il sensore laser LDS





Pulire il sensore di dislivello



Pulisci il Sensore Visivo AI



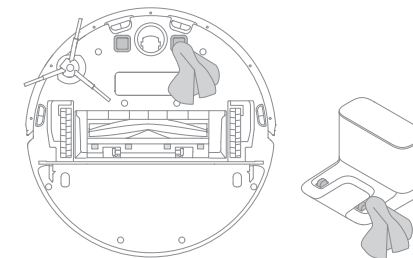
Riavvio del Robot

Se il robot smette di rispondere o non può essere spento, premi e tieni premuto il pulsante  per 10 secondi per spegnerlo forzatamente. Quindi, premi e tieni premuto il pulsante  per 3 secondi per accendere il robot.

Batteria

Il robot contiene una batteria agli ioni di litio ad alte prestazioni. Assicurarsi che l'apparecchio resti carico durante l'utilizzo quotidiano per mantenere le prestazioni ottimali della batteria. Se il robot non viene utilizzato per lungo tempo, spegnerlo e conservarlo. Per evitare danni da scaricamento eccessivo, ricaricare il robot almeno una volta ogni tre mesi.

Pulire il contatto della carica



Problemi comuni

Problema	Soluzione
Il robot non si accende	Il livello della batteria è basso. Ricaricare il robot sulla stazione di ricarica, e poi riprovare. La temperatura della batteria è troppo bassa o troppo alta. Si consiglia di far funzionare l'apparecchio a una temperatura compresa tra 32 °F (0 °C) e 104 °F (40 °C).
Il robot non si ricarica.	La stazione di ricarica non riceve alimentazione. Verificare che entrambe le estremità del cavo di alimentazione siano collegate correttamente. Problema sui contatti. Pulire i contatti di ricarica della stazione di ricarica e del robot.
Il robot non ritorna alla stazione di ricarica	Ci sono troppi ostacoli intorno alla stazione di ricarica. Posizionare la stazione di ricarica in una zona più libera. Pulire l'area di segnalazione della stazione di ricarica.
Il robot non funziona bene	Spegnere e riaccendere il robot.
Il robot fa uno strano rumore	Potrebbe essersi incastrato un oggetto estraneo nella spazzola principale, in quella laterale o in una delle rotelle principali. Spegnere il robot e rimuovere eventuali residui.
Il robot non pulisce più con la stessa efficienza di prima o lascia polvere dietro di sé	Il raccogli-polvere è pieno. Svuotarlo. Il filtro è bloccato. Pulirlo. Un oggetto estraneo si è incastrato nella spazzola principale. Eliminarlo.
Il robot non riesce a collegarsi al Wi-Fi	Qualcosa non va con la connessione Wi-Fi. Resettare il Wi-Fi e scaricare l'ultima versione dell'app Dreamehome, poi prova a riconnetterti. L'autorizzazione alla posizione non è aperta. Si prega di assicurarsi che l'autorizzazione alla posizione sia aperta sull'app Dreamehome. Il segnale Wi-Fi è troppo debole. Assicurarsi che il robot sia in una zona all'interno della portata del Wi-Fi. La frequenza 5Ghz del Wi-Fi non è supportata. Assicurarsi che il robot sia connesso al Wi-Fi 2.4Ghz. Lo username o la password del Wi-Fi non sono corretti. Assicurarsi di inserire lo username e la password corretti.
Il robot non effettua la pulizia programmata	Il robot ha la batteria bassa. La pulizia programmata non inizierà a meno che il robot non abbia almeno il 15% di batteria residua.

Problemi comuni

Problema	Soluzione
Se il robot viene lasciato sulla stazione di ricarica, consumerà energia	Se il robot viene lasciato sulla stazione di ricarica, consumerà poco energia e ciò contribuirà a mantenere prestazioni ottimali per la batteria.
Non esce acqua dal serbatoio d'acqua, o o ne esce solo un po'	Verificare che nel serbatoio d'acqua ci sia acqua. Pulire il panno se diventa stroppo sporco. Accertarsi che il panno di lavaggio sia installato correttamente facendo riferimento al manuale d'utente. Si prega di pulire in tempo il foro d'aria sul coperchio del serbatoio d'acqua.
Il robot non riprenderà la pulizia dopo la ricarica	Accertarsi che il robot non sia impostato sulla modalità Non Disturbare che impedirebbe la ripresa della pulizia. Il robot non riprende a pulire quando viene caricato o posto manualmente sulla stazione di ricarica.
Il robot non ritorna sulla stazione di ricarica dopo essere stato spostato	Lo spostamento del robot può portare quest'ultimo a posizionarsi altrove o a ridefinire ciò che gli sta intorno. Se il robot è troppo lontano dalla stazione di ricarica, potrebbe non riuscire a tornare automaticamente alla stazione di ricarica da solo, nel qual caso sarà necessario posizionarlo manualmente su di essa.

Per servizi aggiuntivi, per favore contattaci tramite aftersales@dreame.tech

Sito web: <https://global.dreame.tech>

Specifiche tecniche

Robot

Modello	RLS6A
Tempo di ricarica	Circa 6 ore
Tensione nominale	14,4 V $\overline{\text{---}}$
Potenza nominale	46 W
Frequenza d' esercizio	2400-2483,5 MHz
Potenza in uscita massima	< 20 dBm

Stazione di ricarica

Modello	RCS0
Ingresso nominale	100-240 V~50/60 Hz 0,5 A
Uscita nominale	19,8 V $\overline{\text{---}}$ 1 A

In condizioni d'uso normali, questa apparecchiatura deve essere tenuta a una distanza minima di 20 cm tra l'antenna e il corpo dell'utente.

Scatola	Manuale	Manuale	Pellicola	Pellicola	Borsa	Maniglia	Pellicola
PAP 20	PAP 21	PAP 22	PVC 3	PET 1	CPE 7	PE 4/PP 5	PP 5
Carta			Plastica				
RACCOLTA DIFFERENZIATA							
Verifica le disposizioni del tuo Comune. Separa le componenti e conferiscile in modo corretto.							

Smaltimento e Rimozione della Batteria

La batteria incorporata agli ioni di litio contiene sostanze pericolose per l'ambiente. Prima di smaltire la batteria, assicurati che la batteria sia rimossa da tecnici qualificati e smaltita presso un centro di riciclaggio appropriato.

- la batteria deve essere rimossa dall'apparecchio prima che sia rottamata;
- l'apparecchio deve essere scollegato dalla rete di alimentazione al momento della rimozione della batteria;
- la batteria deve essere smaltita in modo sicuro.

ATTENZIONE:

- Prima di rimuovere la batteria, scollega l'alimentazione ed esaurisci la batteria il più possibile.
- Le batterie non necessarie devono essere smaltite presso un centro di riciclaggio appropriato.
- Non esporre ad ambienti ad alta temperatura per evitare rischi di esplosione.
- In condizioni abusive, il liquido potrebbe essere espulso dalla batteria. In caso di contatto, sciacqua con acqua e consulta un medico.

Informazioni RAEE



Tutti i prodotti contrassegnati da questo simbolo sono rifiuti di apparecchiature elettriche ed elettroniche (RAEE in base alla direttiva 2012/19/UE) che non devono essere smaltiti assieme a rifiuti domestici non differenziati. Al contrario, è necessario proteggere l'ambiente e la salute umana consegnando i rifiuti a un punto di raccolta autorizzato al riciclaggio di rifiuti di apparecchiature elettriche ed elettroniche, predisposto dalla pubblica amministrazione o dalle autorità locali. Lo smaltimento e il riciclaggio corretti aiutano a prevenire conseguenze potenzialmente negative all'ambiente e alla salute umana. Contattare l'installatore o le autorità locali per ulteriori informazioni sulla sede e per i termini e le condizioni di tali punti di raccolta.

Guida alla Rimozione

1. Capovolgi il robot, usa uno strumento adeguato per rimuovere le viti sul retro del robot, quindi rimuovi il coperchio.
2. Scollega i terminali tra la batteria e la scheda PCB per rimuovere la batteria.

Información de seguridad

Para evitar descargas eléctricas, incendios o lesiones causadas por uso inadecuado del aparato, lea atentamente el manual del usuario antes de utilizar el aparato y guárdelo para futuras consultas.

Restricciones de uso

- Este producto no debe ser utilizado por niños menores de 8 años ni por personas con deficiencias físicas, sensoriales o intelectuales, o experiencia o conocimientos limitados, sin la supervisión de un progenitor o un tutor legal que pueda garantizar un funcionamiento seguro y evitar riesgos. La limpieza y el mantenimiento no deben ser realizados por menores sin supervisión.
- Este producto no es un juguete. Asegúrese de que tanto niños como mascotas mantienen una distancia de seguridad mientras esté en funcionamiento.
- Este producto es solo apto para la limpieza de suelos del hogar. No lo utilice en exteriores, en otro tipo de superficies ni en un entorno comercial o industrial.
- Si se daña o se rompe el cable de alimentación, deje de usarlo inmediatamente y póngase en contacto con el servicio posventa.
- No use el robot en zonas con desnivel sin una barrera protectora.
- No coloque el robot boca abajo. No utilice la cubierta del SLD, la cubierta del robot o el parachoques como asa para mover el robot.
- No use el robot si la temperatura ambiente es superior a los 40°C o inferior a los 0°C, o si hay líquidos o sustancias pegajosas en el suelo.
- Recoja cualquier cable del suelo antes de usar el robot para evitar que se dañen durante la limpieza.
- Recoja objetos frágiles o pequeños del suelo para evitar que el robot los succione y los dañe.
- Para evitar daños por arrastre, por favor quite cualquier objeto suelto del piso y guarde los cables en la ruta de limpieza antes de operar el aparato.

Información de Seguridad

Restricciones de uso

- Evite que el pelo, los dedos o cualquier otra parte del cuerpo entre en contacto con la zona de succión del robot.
- Mantenga el cepillo de limpieza fuera del alcance de los niños.
- No coloque niños, mascotas ni cualquier objeto encima del robot si este se encuentra estacionado o en movimiento.
- No use el robot para limpiar sustancias tóxicas o inflamables. No utilice el robot para recoger líquidos inflamables o combustibles, gases corrosivos o ácidos o disolventes sin diluir.
- No aspire objetos duros o afilados. No utilice el aparato para recoger objetos como piedras, trozos de papel grandes o cualquier elemento que pueda obstruir el aparato.
- Antes de limpiar el robot o realizar labores de mantenimiento, asegúrese de que está apagado y la base de carga desconectada.
- No utilice paño húmedo ni ningún líquido para limpiar o enjuagar el robot y el puerto de carga. Las piezas lavables deben secarse completamente antes de ser instaladas y utilizadas.
- Asegúrese de que el robot esté apagado cuando lo transporte y guárdelo en su embalaje original si es posible.
- Use este producto de acuerdo con las instrucciones del manual. Los usuarios son responsables de cualquier pérdida o daño debidos a un uso no adecuado del producto.

Baterías y carga

- No utilice ninguna batería, cable de alimentación o base de carga de terceros. Usar sólo con la unidad de alimentación RCS0.

Información de Seguridad

Baterías y carga

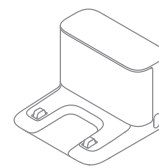
- No intente desarmar, reparar ni modificar la batería o la base de carga por su cuenta.
- No coloque la base de carga cerca de una fuente de calor.
- No limpie los contactos de carga de la base con un paño húmedo ni las manos mojadas.
- No deseche las pilas usadas de forma inadecuada. Las baterías que ya no se necesiten deben desecharse en una instalación de reciclaje adecuada.
- Si no va a utilizar el robot durante un largo periodo de tiempo, cárguelo completamente, apáguelo y guárdelo en un lugar fresco y seco. Recargue el robot al menos una vez cada 3 meses para evitar la sobredescarga de la batería.
- Este producto contiene baterías que solo pueden ser reemplazadas por técnicos cualificados o por el servicio posventa.

Información de seguridad del láser

- El sensor láser de este producto cumple con el Estándar IEC 60825-1: 2014 para productos láser de Clase 1. Evite el contacto directo con los ojos al usarlo.

Descripción general del producto

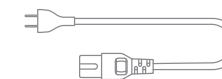
Accesorios



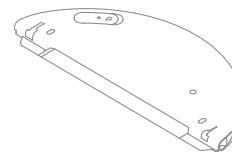
Puerto de carga



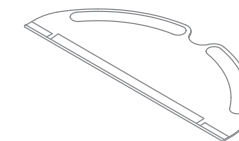
Herramienta de limpieza



Cable de Alimentación



Depósito de agua



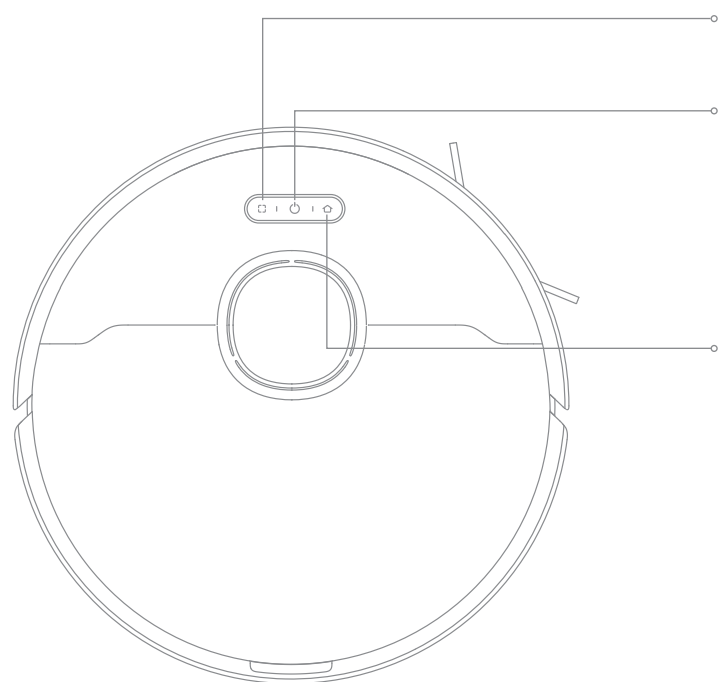
Mopa



Cepillo lateral

Descripción general del producto

Robot



Botón de Limpieza Localizada
· Presione brevemente para iniciar la limpieza localizada

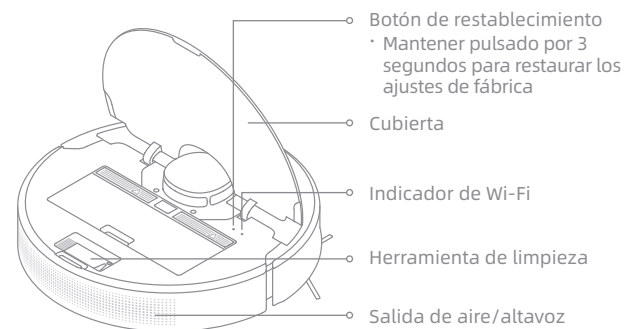
Botón de encendido/limpieza
· Mantenga pulsado durante 3 segundos para encender o apagar
· Presione brevemente para que el robot comience a limpiar después de encenderse

Botón de Atraque
· Pulsar para enviar el robot de vuelta a la base de carga
· Mantenga presionado durante 3 segundos para desactivar el bloqueo infantil

Indicador de estado
· Blanco: Limpiando o limpieza completada
· Naranja intermitente: Error
· Azul: Monitoreo por cámara habilitado

Descripción general del producto

Robot



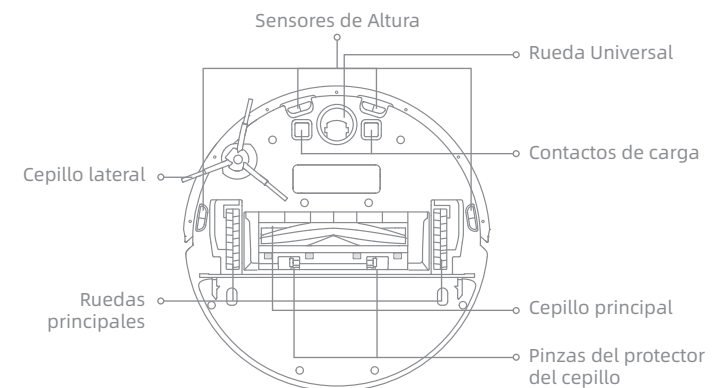
Botón de restablecimiento
· Mantener pulsado por 3 segundos para restaurar los ajustes de fábrica

Cubierta

Indicador de Wi-Fi

Herramienta de limpieza

Salida de aire/altavoz



Sensores de Altura

Rueda Universal

Contactos de carga

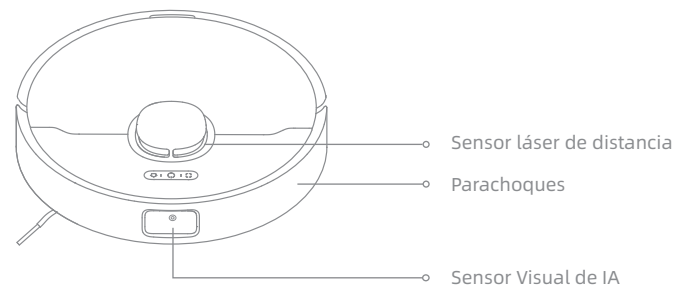
Cepillo lateral

Ruedas principales

Cepillo principal

Pinzas del protector del cepillo

Sensores del robot



Sensor láser de distancia

Parachoques

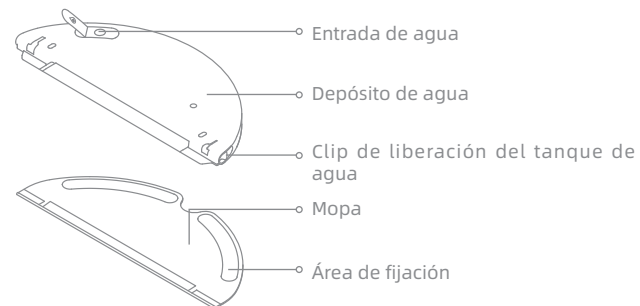
Sensor Visual de IA

Descripción general del producto

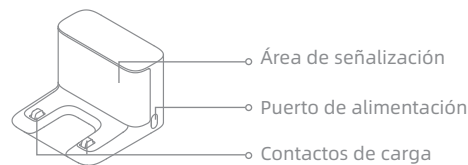
Depósito de polvo



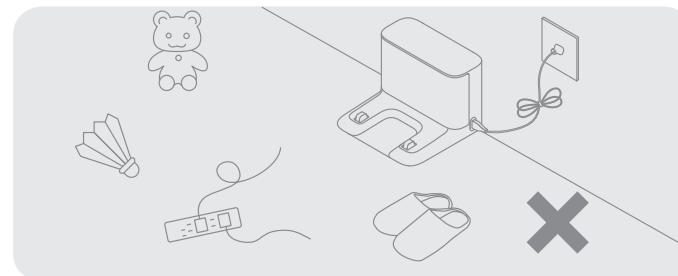
Módulo de fregado



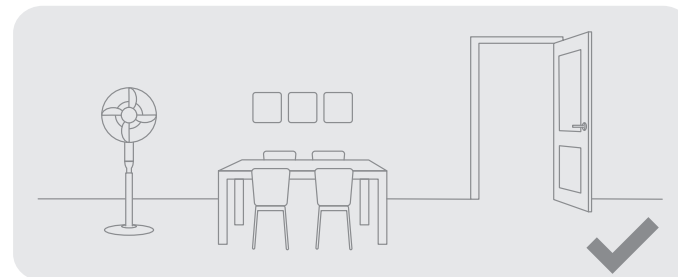
Puerto de carga



Preparando Su Hogar



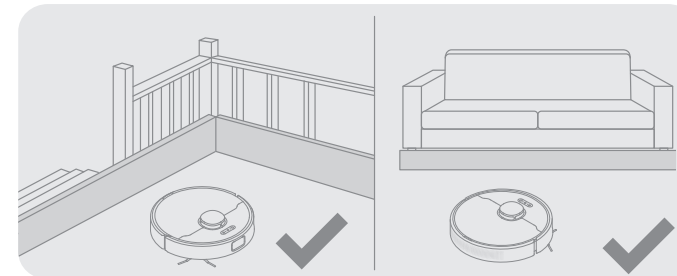
Ordene elementos como cables de alimentación, ropa, zapatillas y juguetes para mejorar la eficiencia del robot.



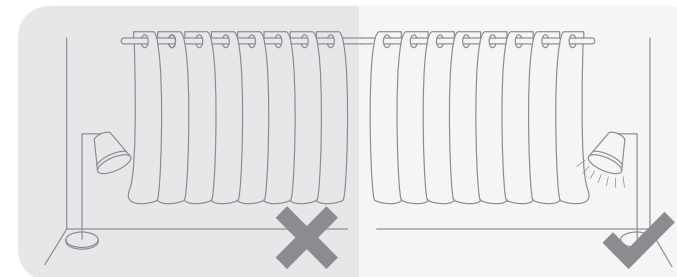
Abra la puerta de la habitación que va a limpiar y coloque los muebles en el lugar apropiado para hacer más espacio.

Nota:

- Cuando utilice el robot por primera vez, sígalo mientras realiza limpieza para quitar cualquier obstáculo potencial de inmediato.
- Para evitar que el robot no reconozca el área a limpiar, no permanezca de pie delante del robot, en el umbral, el pasillo o lugares estrechos.



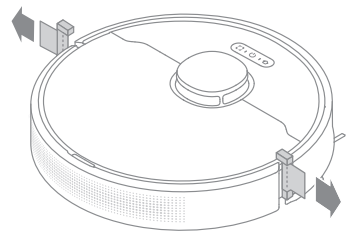
Antes de que empiece a limpiar, utilice la barrera física en el borde de las escaleras y el sofá para garantizar un funcionamiento seguro y fluido del aspirador robot.



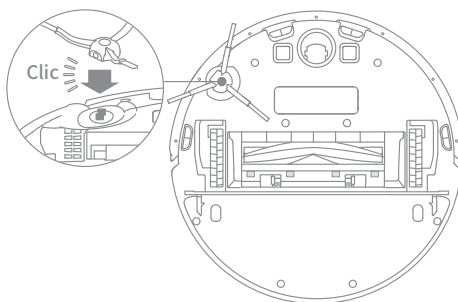
Con el sensor visual IA, el robot puede reconocer y mejor evitar obstáculos como cables de alimentación, zapatos y calcetines. Para aprovechar al máximo el sensor visual IA, asegúrese de que todas las áreas a limpiar estén bien iluminadas.

Antes de Usar

1. Quite las tiras protectoras



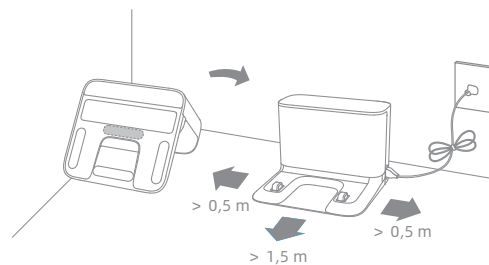
2. Instale el cepillo lateral



Nota: Instale el cepillo lateral hasta que encaje en su lugar.

3. Configurar la base de carga

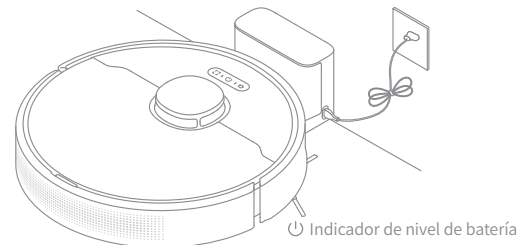
Pegue la cinta de doble faz en la parte inferior de la base de carga, luego coloque la base en el suelo nivelado contra la pared y conéctela a una toma de corriente.



Nota:

- Asegúrese de que haya una distancia de 0,5 metros o más por cada lado del puerto de carga, y más de 1,5 metros enfrente.
- Para garantizar una buena conexión del robot con su teléfono, asegúrese de que el robot y el puerto de carga estén dentro del alcance del Wi-Fi.
- No coloque el puerto de carga en una zona con luz solar directa o donde objetos puedan bloquear la zona de señal, ya que podría afectar al retorno del robot al puerto de carga.
- El uso de la cinta de doble faz depende de su necesidad.
- Limpie el área del piso donde se colocará la base de carga con un trapo seco.
- Si es necesario, quite la cinta de doble faz lentamente para reducir los residuos adhesivos.

4. Coloque el robot en la base de carga para recargar la batería



Nota:

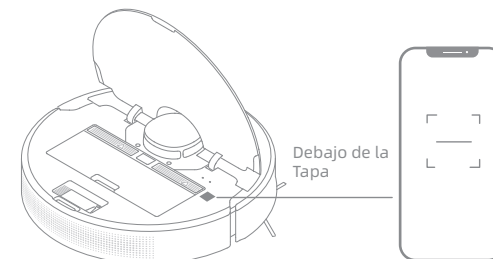
- Cargue por completo antes del primer uso.
- No instale el módulo de mopa cuando el aspirador se está cargando. Tenga cuidado con la mopa húmeda, ya que puede dañar el piso.

Conecte con la aplicación Dreamehome

Este producto funciona con la aplicación Dreamehome, que puede utilizarse para controlar su dispositivo.

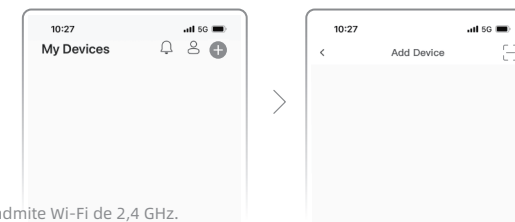
1. Descarga la aplicación Dreamehome

Escanee el código QR en el robot o busque "Dreamehome" en la tienda de aplicaciones para descargar e instalar la aplicación según sus necesidades.



2. Añadir dispositivo



Abra Dreamehome, toque "+" en la esquina superior derecha y escanee el código QR de arriba nuevamente para agregar "DreameBot D10s Pro". Siga las indicaciones para terminar la conexión Wi-Fi.

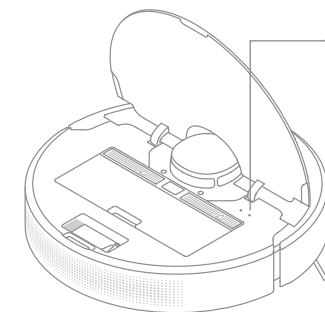


Nota:

- Solo admite Wi-Fi de 2,4 GHz.
- El software de la aplicación se está actualizando, las operaciones actuales pueden ser diferentes de las instrucciones en este manual. Siga las instrucciones basadas en la versión más nueva de la aplicación.

3. Restablecer Wi-Fi

Al mismo tiempo, mantenga pulsado los botones  y  hasta que escuche una voz diciendo «Esperando configuración de red». Cuando el indicador parpadee lentamente, el Wi-Fi se habrá restablecido correctamente.



Indicador de Wi-Fi

- Parpadea lentamente: Esperando conexión
- Parpadea rápidamente: Conectando
- Encendida: Conectado



Nota: Cuando el teléfono no se conecta correctamente al robot, reinicie el Wi-Fi y añada de nuevo el dispositivo.

Modo de uso


1. Mapeo Rápido

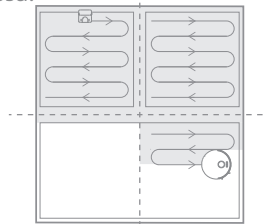
Después de configurar la red por primera vez, siga las instrucciones de la aplicación para crear rápidamente un mapa y el robot comenzará a mapear sin limpiar. El proceso de mapeo se completará cuando el robot regrese a la base de carga y el mapa se guardará automáticamente.

2. Encender/apagar

Mantenga presionado el botón  durante 3 segundos para encender el robot, y el indicador de encendido lucirá permanentemente. Coloque el robot en la base de carga, el robot debe encenderse automáticamente y comenzar a cargarse. Para apagar el robot, aleje el robot de la base y mantenga presionado el botón  durante 3 segundos.

3. Comenzar Limpieza

Presione el botón  brevemente para comenzar la limpieza después de encender el robot. A continuación, el robot generará con precisión una ruta, limpiará metódicamente a lo largo de los bordes y las paredes, y luego terminará limpiando cada habitación en un patrón en forma de S para garantizar una limpieza minuciosa.



Nota: Antes de empezar una tarea de limpieza, asegúrese de que el robot se inicie desde la base de carga. No mueva el puerto de carga mientras el robot está limpiando.

4. Pausa / Dormir

Cuando el robot esté funcionando, presione cualquier botón para pausarlo. Si el robot se encuentra en pausa durante más de 10 minutos, entra automáticamente en modo de suspensión. Todos los indicadores del robot se apagarán. Apriete cualquier botón en el robot o utilice la aplicación para despertarlo.

Nota:

- El robot se apagará automáticamente si se mantiene en modo Suspensión durante más de 12 horas.
- Cuando el robot esté parado, colocarlo en la base de carga finalizará la tarea de limpieza actual.


5. Modo No Molestar (DND)

Cuando el robot se encuentra en el modo No Molestar (DND), se prohibirá que el robot reanude la limpieza, y el indicador de encendido se apagará. El modo DND está deshabilitado de forma predeterminada en la fábrica. Puede utilizar la aplicación para habilitar el modo DND o modificar el período DND. El período DND es de 22:00 a 8:00 de forma predeterminada.

Nota:

- Las tareas de limpieza programadas se realizarán a tiempo durante el período DND.
- El robot reanudará la limpieza no finalizada después de que expire el período DND.

6. Limpieza Localizada

Cuando el robot está en espera, presione brevemente el botón  para habilitar el modo de limpieza de manchas. En este modo, el robot limpia un área de forma cuadrada de 1,5 x 1,5 metros a su alrededor y vuelve a su punto de partida una vez que se completa la limpieza de manchas.

Modo de uso

7. Limpieza programada

Puede programar la hora de la limpieza en la aplicación Dreamehome. El robot empezará automáticamente la limpieza en el momento indicado y luego volverá a la base de carga una vez terminada la limpieza.

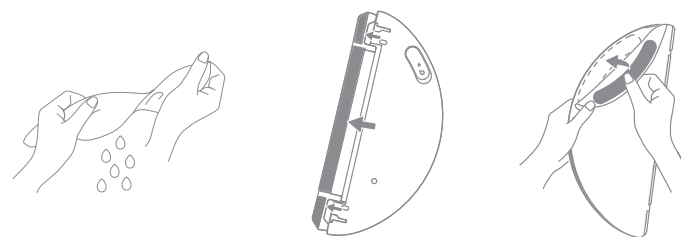
8. Más Funciones de la Aplicación

Siga las instrucciones de la interfaz de la aplicación para usar más funciones. Puede que se haya actualizado la versión de la aplicación, siga las instrucciones de acuerdo con la versión actual.

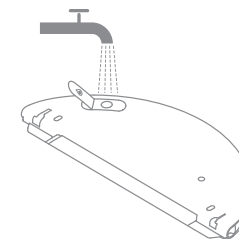
9. Usar la función de fregado

Se recomienda aspirar todos los suelos al menos tres veces antes de la primera sesión de fregado para obtener un mejor resultado de limpieza.

1) Humedezca la almohadilla trapeadora y exprima el agua excesiva. Instale la mopa como se muestra en el diagrama.




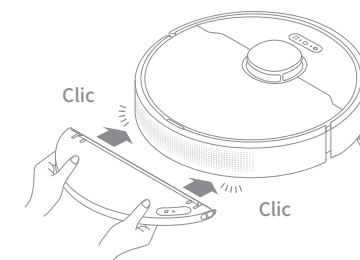
2) Llene el tanque con agua.



Nota:

- No utilice detergentes o desinfectantes.
- No llene con agua caliente, lo que puede causar la distorsión del depósito de agua.

3) Inserte el módulo de fregado en paralelo, como indica la flecha, y deslícelo en la parte trasera del robot hasta que encaje. Pulse el botón , o puede utilizar la aplicación Dreamehome para empezar la limpieza.



Nota:

- No se recomienda usar la función de fregado en alfombras.
- Use la aplicación para ajustar el flujo de agua.

Mantenimiento rutinario

Piezas

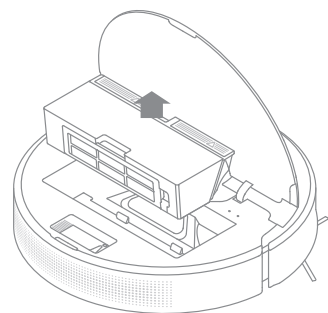
Para mantener el robot en buenas condiciones, se recomienda consultar la siguiente tabla para conocer el mantenimiento de rutina.

Piezas	Frecuencia de Mantenimiento	Frecuencia de Reemplazo		
Almohadilla Trapeadora	Después de cada uso	Cada 3 a 6 meses		
Cepillo principal	Una vez cada 2 semanas	Cada 6 a 12 meses		
Filtro de Depósito de Polvo		Cada 3 a 6 meses		
Cepillo lateral				
Zona de señalización de la base de carga	Una vez al mes	/		
Contactos de carga				
Rueda Universal				
Sensor láser de distancia				
Sensor Visual de IA				
Sensores de Altura				
Depósito de agua			Límpielo cuando sea necesario	/
Depósito de polvo				

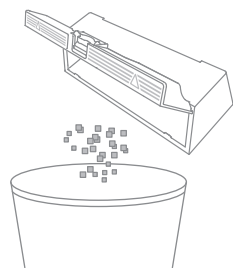
Nota: La frecuencia de reemplazo dependerá de su uso del robot. Si ocurre una excepción debido a circunstancias especiales, las piezas deben ser reemplazadas.

Contenedor de polvo y filtro

1. Abra la cubierta del robot y presione la hebilla del depósito de basura para retirar el depósito.

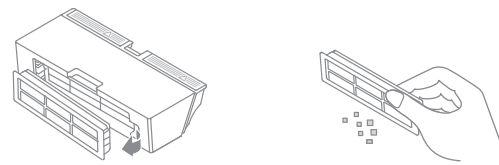


2. Abra la cubierta del depósito y vacíelo como se muestra en el diagrama.



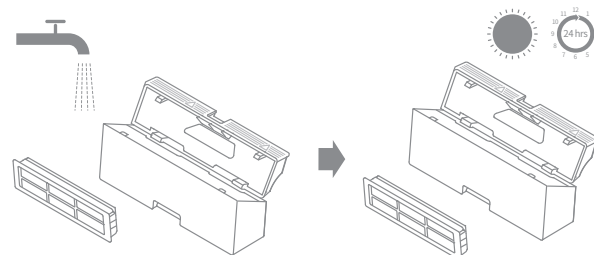
Mantenimiento rutinario

3. Retire el filtro y golpee suavemente su canasta.



Nota: No intente limpiar el filtro con cepillo, dedo u objetos afilados para evitar daños.

4. Enjuague el depósito de polvo y el filtro con agua y séquelos completamente antes de volver a instalarlos.

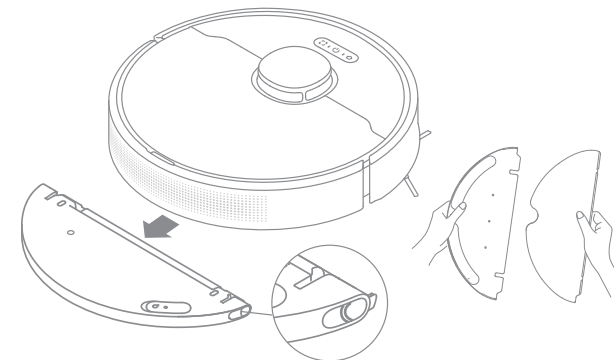


Nota:

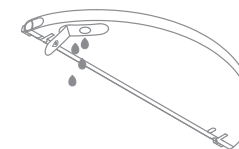
- Enjuague el depósito de basura y el filtro únicamente con agua limpia, no utilice detergente.
- Utilice el depósito de basura y el filtro sólo cuando están completamente secos.

Limpiar el módulo de limpieza

1. Deslice las dos hebillas de liberación en el costado del tanque de agua para quitar el módulo de trapeado y luego saque la mopa del módulo de trapeado.



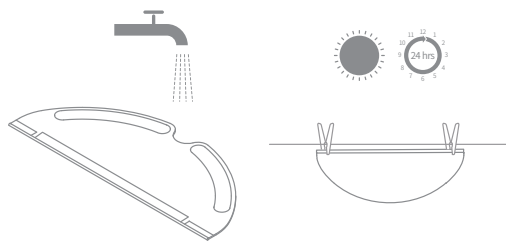
2. Vacíe el agua del tanque de agua. Limpie sólo con agua y deje secar al aire antes de volver a instalar.



Nota: No exponga el tanque directamente al sol.

Mantenimiento rutinario

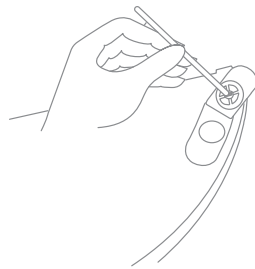
3. Limpie la mopa sólo con agua y deje secar al aire antes de volver a instalar.



Nota:

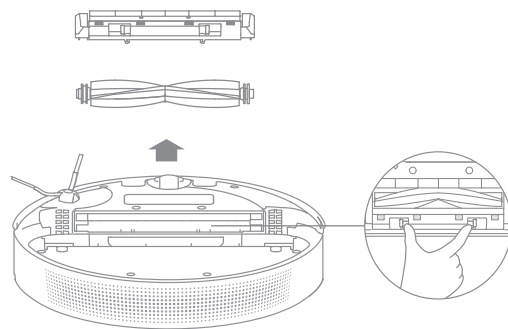
· Extraiga la mopa del módulo de fregado antes de limpiarla. Asegúrese de que el agua sucia no vuelva a entrar por la salida de agua para que no se obstruya.

4. Si el flujo de agua es lento, o el volumen no está bien distribuido, limpie el orificio ventilador de la tapa del tanque de agua.

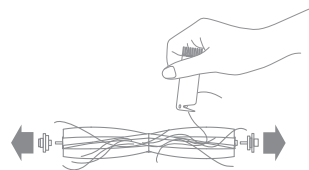


Limpiar el cepillo principal

1. Presione las hebillas del protector del cepillo hacia adentro para quitar el protector del cepillo y sacar el cepillo del robot.



2. Retire la tapa de cepillo como se muestra en el diagrama. Utilice la herramienta de limpieza provista para eliminar los pelos enredados en el cepillo.

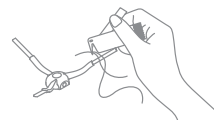


Nota: Si hay una gran cantidad de cabello o este está muy enredado, retírelo cuidadosamente para evitar dañar el cepillo principal.

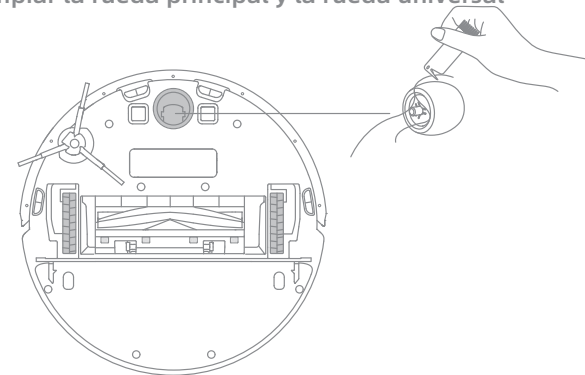
Mantenimiento rutinario

Limpiar el cepillo lateral

Saque el cepillo lateral y utilice la herramienta de limpieza incluida para quitar los pelos enredados en el cepillo.



Limpiar la rueda principal y la rueda universal

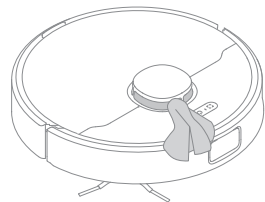


Nota: Utilice una herramienta como un destornillador pequeño para separar el eje y el neumático de la rueda universal.

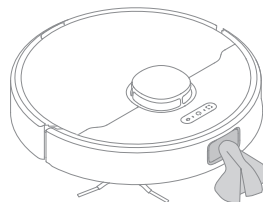
Mantenimiento rutinario

Nota: Use un paño de cocina seco para limpiar, ya que el robot y la base de carga interna tienen elementos sensibles. No use un paño húmedo para evitar daños provocados por el agua.

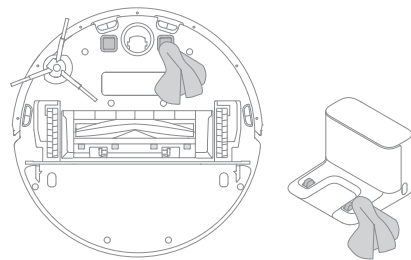
Limpiar el sensor láser LDS



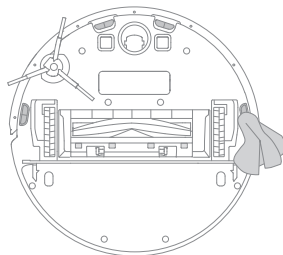
Limpiar el Sensor Visual de IA



Limpiar los contactos de carga



Limpiar el Sensor de Altura



Reinicio de Robots

Si el robot deja de responder o no se puede apagar, mantenga presionado el botón durante 10 segundos para forzarlo a apagarse. Luego, mantenga presionado el botón durante 3 segundos para encender el robot.

Batería

El robot contiene una batería de iones de litio de alto rendimiento. Asegúrese de que permanezca bien cargada durante el uso diario para que mantenga un rendimiento óptimo. Si el robot no se utiliza durante un largo periodo de tiempo, apáguelo y guárdelo. Para evitar daños por descarga, debería recargar el robot una vez cada tres meses.

Preguntas más frecuentes

Problema	Solución
El robot no se enciende	El nivel de la batería es bajo. Recargue el robot en la base de carga y pruebe de nuevo. La temperatura de la batería está demasiado baja o demasiado alta. Se recomienda operar el aparato a una temperatura entre 32 °F (0°C) y 104 °F (40°C).
El robot no se recarga	La base de carga no está recibiendo energía. Por favor, confirme que ambos extremos del cable de alimentación están conectados correctamente. Fallo de contacto. Limpie el contacto de carga de la base de carga y el robot.
El robot no vuelve a la base de carga	Hay demasiados obstáculos alrededor de la base de carga. Coloque la base de carga en una zona más abierta y libre de obstáculos. Por favor, limpie el área de emisión de señal de la base de carga.
El robot no funciona adecuadamente	Apague el robot y vuelva a encenderlo.
El robot hace un ruido extraño	Un objeto extraño puede estar obstruyendo el cepillo principal, el cepillo lateral o alguna de las ruedas principales. Apague el robot y elimine la basura acumulada.
El robot no limpia de forma correcta o deja basura a su paso	El depósito de basura está lleno. Por favor, vacíelo. El filtro está bloqueado. Por favor, límpielo. Un objeto extraño está obstruyendo el cepillo principal. Por favor, límpielo.
El robot no se conecta al Wi-Fi	Hay algún problema con la conexión Wi-Fi. Reinicie el Wi-Fi, descargue la última versión de Dreamehome APP, e intente conectarlo de nuevo. El permiso de ubicación no está activado. Asegúrese de activar el permiso de ubicación en la aplicación Dreamehome. La señal Wi-Fi es débil. Asegúrese de que el robot se encuentra en una zona con una buena señal de Wi-Fi. No admite Wi-Fi de 5GHz. Asegúrese de conectar su robot a una red Wi-Fi de 2,4GHz. Nombre de usuario o contraseña del Wi-Fi incorrectos. Asegúrese de introducir el nombre de usuario y la contraseña correctos.
El robot no realiza la limpieza programada	El robot tiene la batería baja. La limpieza programada no comenzará si el robot no tiene al menos un 15% de batería restante.

Preguntas frecuentes

Problema	Solución
¿Dejar el robot en la base de carga una vez que está completamente cargado consume energía?	Dejar el robot en la base de carga tras haber completado la carga de la batería consume muy poca electricidad y ayuda a mantener un funcionamiento óptimo de la batería.
No sale agua del depósito de agua, o solo sale un poco	Compruebe que el depósito de agua está lleno de agua y limpie la mopa si es necesario. Limpie la mopa si está sucia. Compruebe que la mopa está colocada correctamente, de acuerdo con el manual. Limpie el orificio del tanque de agua.
El robot no reanuda la limpieza a pesar de que tiene batería suficiente	Compruebe que el robot no se encuentre en modo No Molestar. El robot no reanuda la limpieza cuando es recargado manualmente o colocado en la base de carga.
El robot no vuelve a la base de carga después de ser movido	Mover el robot puede hacer que se reubique o vuelva a mapear sus alrededores. Si el robot está demasiado lejos de la base de carga, puede que no sea capaz de volver automáticamente por sí mismo, en cuyo caso es necesario colocar manualmente el robot en el puerto de carga.

Para servicios adicionales, póngase en contacto con nosotros a través de aftersales@dreame.tech

Sitio web: <https://global.dreametech.com>

Especificaciones

Robot

Modelo	RLS6A
Tiempo de carga	Aprox.6 horas
Tensión nominal	14,4 V $\overline{\text{---}}$
Potencia nominal	46 W
Frecuencia de operación	2400-2483,5 MHz
Potencia máxima de salida	< 20 dBm

Puerto de carga

Modelo	RCS0
Entrada nominal	100-240 V~50/60 Hz 0,5 A
Salida nominal	19,8 V $\overline{\text{---}}$ 1 A

En condiciones normales de uso, este equipo debe mantenerse a una distancia de, al menos, 20 cm entre la antena y el cuerpo del usuario.

Extracción y Eliminación de Batería

La batería de iones de litio incorporada contiene sustancias que son peligrosas para el medio ambiente. Antes de desechar la batería, asegúrese de sean retiradas por técnicos calificados y que la deseche en una instalación de reciclaje adecuada.

- se debe quitar la batería del aparato antes de desecharlo;
- el aparato debe estar desconectado de la red de alimentación cuando se quita la batería;
- la batería debe desecharse de forma segura.

PRECAUCIÓN:

- Antes de quitar la batería, desconecte la alimentación y agote la batería tanto como sea posible.
- Las baterías quitadas deben desecharse en una instalación de reciclaje adecuada.
- No las exponga a alta temperatura para evitar riesgos de explosión.
- En condiciones ásperas, es posible que gotee líquido de la batería. Si ocurre contacto, enjuague con agua y busque ayuda médica.

Información sobre RAEE



Todos los productos que llevan este símbolo son residuos de aparatos eléctricos y electrónicos (RAEE según la directiva 2012/19/UE) que no deben mezclarse con residuos domésticos sin clasificar. En su lugar, debe proteger la salud humana y el medio ambiente entregando sus equipos de desecho a un punto de recogida para el reciclaje de residuos de equipos eléctricos y electrónicos, designado por el gobierno o las autoridades locales. La eliminación y el reciclado correctos ayudarán a evitar posibles consecuencias negativas para el medio ambiente y la salud humana. Póngase en contacto con el instalador o con las autoridades locales para obtener más información sobre la ubicación y las condiciones de dichos puntos de recogida.

Guía de Extracción

1. Voltee el robot, utilice una herramienta adecuada para quitar los tornillos en la parte posterior del robot y luego quite la tapa.
2. Desconecte los terminales entre la batería y la placa PCB para quitar la batería.

Информация по технике безопасности

Чтобы избежать поражения током, возгорания или травм, вызванных некорректным использованием прибора, перед началом работы внимательно прочтите инструкцию по эксплуатации. Сохраните ее для дальнейшего использования в качестве справки.

Ограничения на эксплуатацию

- Не допускается использование этого изделия детьми младше 8 лет, а также лицами с ограниченными физическими, сенсорными или умственными способностями или с ограниченным опытом или знаниями без присмотра родителя или опекуна для обеспечения безопасной эксплуатации и во избежание рисков. Не позволяйте детям осуществлять чистку и техническое обслуживание устройства без присмотра.
- Детям не следует играть с этим устройством. Убедитесь, что дети и животные находятся на безопасном расстоянии от робота во время работы.
- Это устройство предназначено только для очистки пола в домашних условиях. Не используйте его на открытом воздухе, на поверхностях без пола, а также в коммерческих или промышленных условиях.
- Если шнур питания поврежден или сломан, немедленно прекратите его использование и обратитесь в службу послепродажного обслуживания.
- Не используйте робот в областях, расположенных над полом, без защитного барьера.
- Запрещается переворачивать робота. Запрещается перемещать робота за крышку лазерного датчика расстояния, крышку робота или амортизатор.
- Не используйте робота в средах с температурой окружающей среды выше 40°C или ниже 0°C, а также на полу с жидкостями или липкими веществами.
- Уберите с пола провода перед использованием робота, чтобы он не тянул их во время уборки.

Информация по технике безопасности

Ограничения на эксплуатацию

- Уберите с пола хрупкие и мелкие предметы, чтобы робот не врезался в них и не повредил.
- Во избежание повреждения или нарушения работы устройства из-за волочения предметов перед его включением соберите все посторонние предметы с пола, а также уберите провода и кабели питания с пути движения устройства во время уборки.
- Не допускайте попадания волос, пальцев и других частей тела во всасывающее отверстие робота.
- Храните инструмент для чистки щетки в недоступном для детей месте.
- Не размещайте на роботе детей, животных и какие-либо предметы, независимо от того остановлен он или движется.
- Не используйте робот для уборки любых горящих веществ. Запрещается использовать робот для уборки воспламеняющихся или горючих жидкостей, агрессивных газов, неразбавленных кислот или растворителей.
- Не используйте робот для уборки твердых и острых предметов. Запрещается использовать прибор для уборки камней, крупных кусков бумаги и других предметов, которые могут застрять в приборе.
- Перед очисткой и техническим обслуживанием убедитесь, что робот выключен и док-станция для зарядки отсоединена от источника питания.
- Запрещается протирать робот и зарядную док-станцию влажным полотенцем или промывать жидкостью. Моющиеся элементы необходимо полностью просушить перед установкой на место и дальнейшим использованием.
- Перед транспортировкой убедитесь, что робот выключен, и по возможности храните его в оригинальной упаковке.
- Используйте это устройство согласно руководству пользователя. Пользователи несут ответственность за убытки и ущерб, возникшие из-за несоблюдения инструкций.

Информация по технике безопасности

Аккумулятор и зарядка

- Запрещается использовать аккумулятор, кабель питания и зарядную док-станцию стороннего производителя. Используйте только с блоком питания RCS0.
- Не разбирайте, не ремонтируйте и не модифицируйте аккумулятор или док-станцию для зарядки самостоятельно.
- Не размещайте док-станцию для зарядки рядом с источником тепла.
- Не вытирайте и не очищайте зарядные контакты влажной тканью или влажными руками.
- Не утилизируйте старые аккумуляторы ненадлежащим образом. Ненужные аккумуляторы следует сдавать в соответствующие пункты переработки.
- Если робот не будет использоваться в течение длительного периода, полностью зарядите его, отключите и храните в сухом прохладном месте. Во избежание чрезмерной разрядки аккумулятора заряжайте робот не реже одного раза в 3 месяца.
- Это устройство оснащено аккумуляторным блоком, который должны заменять только квалифицированные технические специалисты или специалисты отдела послепродажного обслуживания.

Техника безопасности при использовании лазера

- Лазерный датчик этого изделия соответствует стандарту IEC 60825-1: 2014 для лазерных изделий класса 1. Во время использования избегайте прямого контакта изделия с глазами.

Информация по технике безопасности

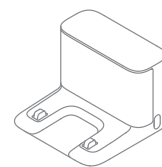
Меры предосторожности при хранении и транспортировке

- Продукт должен транспортироваться в упаковке. Не подвержайте продукт давлению или ударам во время транспортировки.
- Пожалуйста, избегайте сильных столкновений во время транспортировки.
- Не транспортируйте робот-пылесос при температуре выше 50 °C или ниже -20 °C.
- В течение короткого периода, например одного месяца, пылесос рекомендуется хранить при температуре от -20 до 50 °C и относительной влажности 60 % ± 5 %. В течение длительного времени храните пылесос при температуре окружающей среды от 0 °C до 40 °C.
- Утилизируйте пылесос надлежащим образом. Когда его срок службы подойдет к концу, утилизируйте пылесос в соответствии с местными законами и правилами страны или региона, в котором он используется.

Импортер продает этот продукт; информацию об импортере см. на упаковке. Сведения об импортере и контактная информация отдела послепродажного обслуживания указаны на упаковке. Дата изготовления: см. на упаковке. Срок службы продукции 3 лет.

Описание изделия

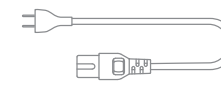
Аксессуары



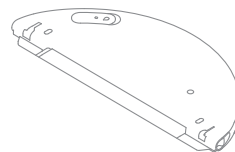
Зарядная док-станция



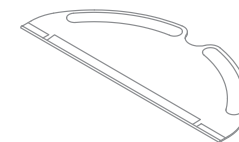
Чистящий инструмент



Кабель питания



Водяной бак



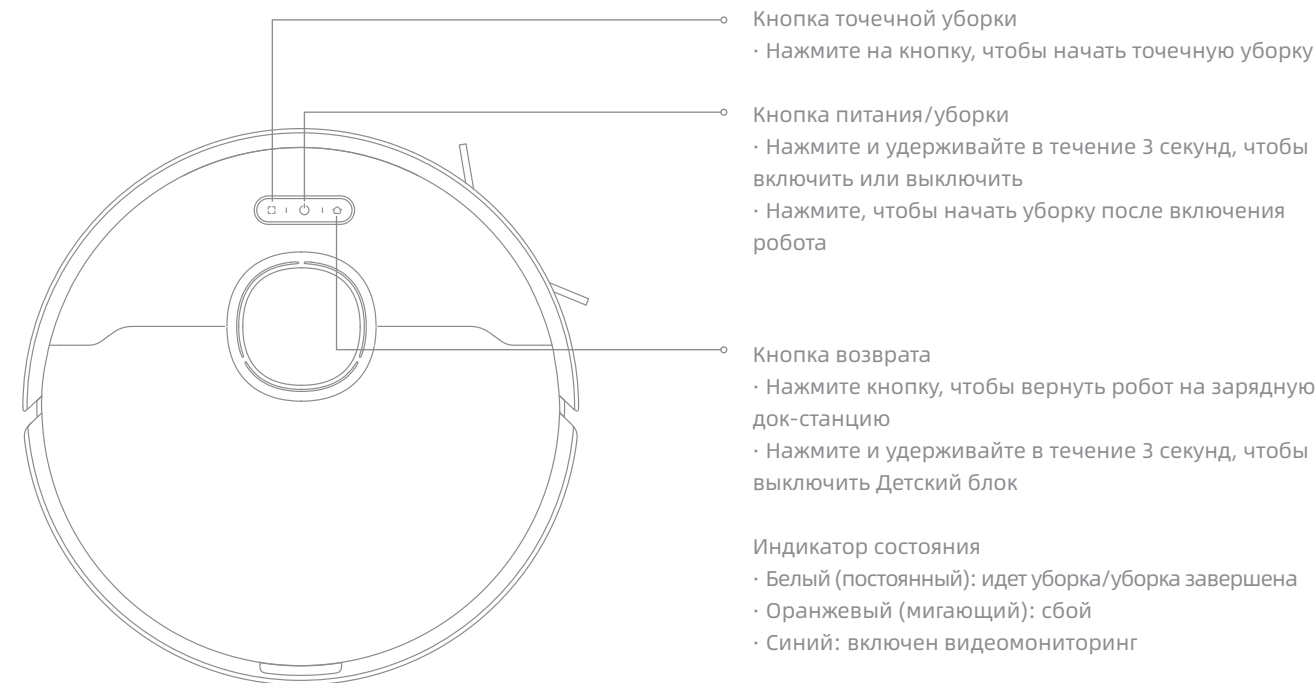
Швабра



Боковая щетка

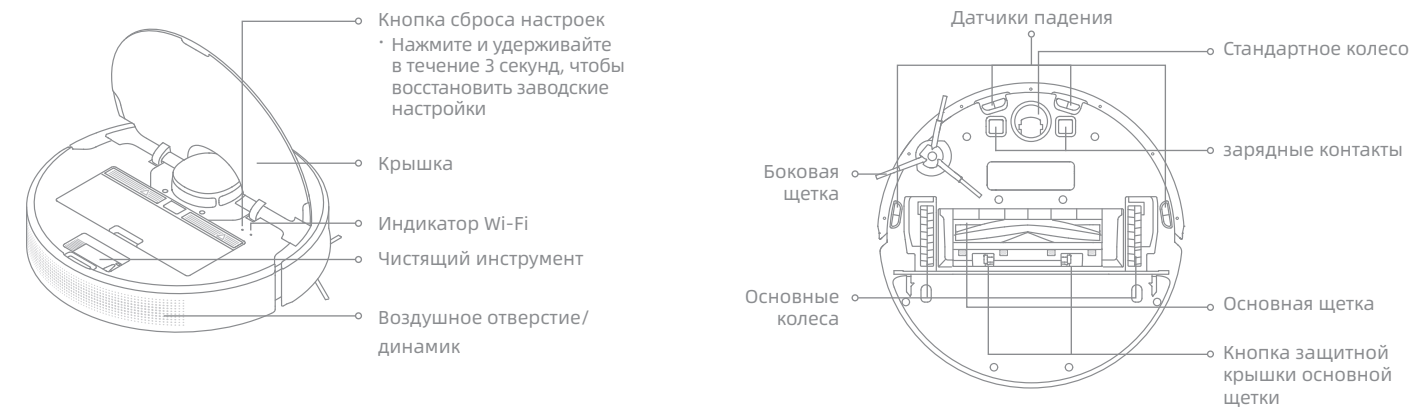
Описание изделия

Робот

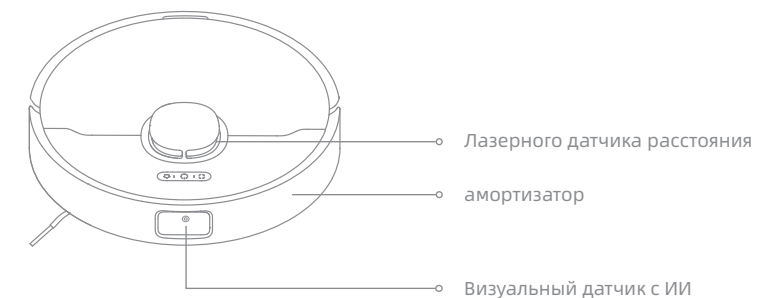


Описание изделия

Робот



Датчики робота

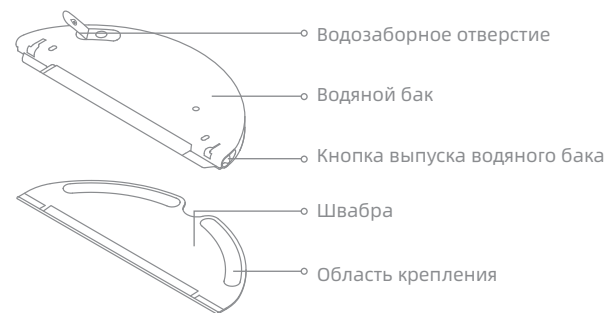


Описание изделия

Контейнер для пыли



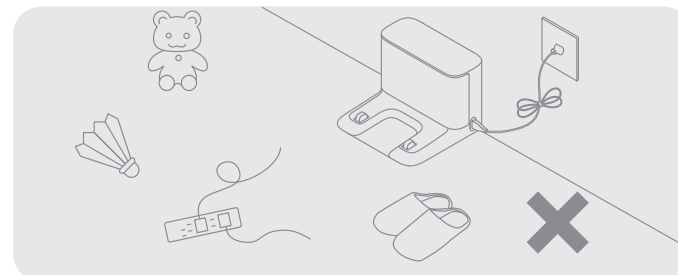
Модуль швабры



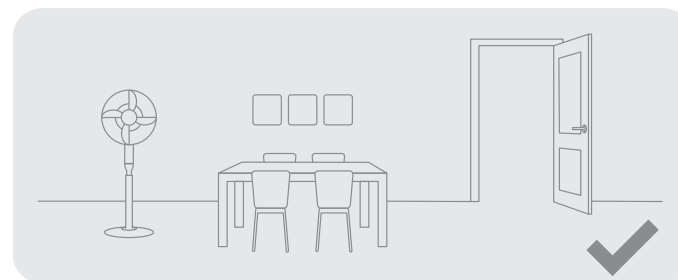
Зарядная док-станция



Подготовка дома



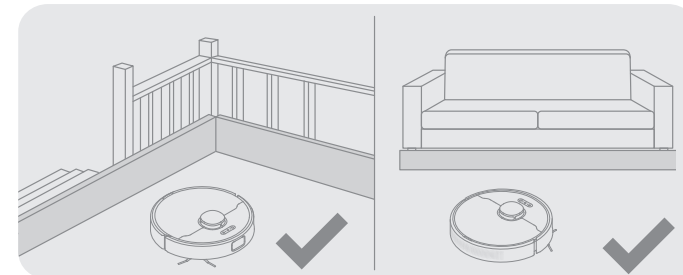
Уберите кабели питания, тканевые предметы, тапки и игрушки для повышения эффективности робота.



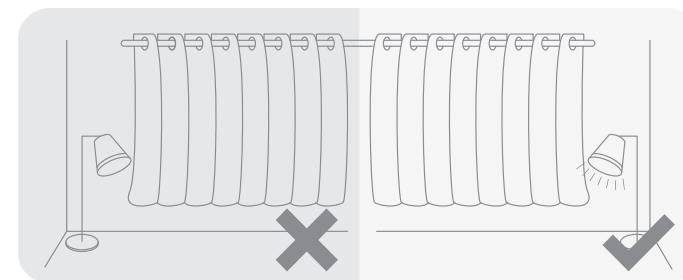
Откройте дверь помещения, в котором будет проводиться уборка, и расставьте мебель на правильные места, чтобы освободить больше пространства для уборки.

Примечание.

- При первом использовании робота присутствуйте во время уборки, чтобы вовремя убирать потенциальные препятствия с его пути.
- Не становитесь перед роботом, в дверном проеме и в узком проходе, чтобы робот мог корректно распознать зону предстоящей уборки.



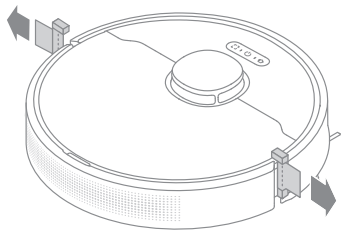
Перед уборкой установите физические барьеры у основания лестницы и рядом с диваном, чтобы обеспечить безопасность и бесперебойность работы пылесоса.



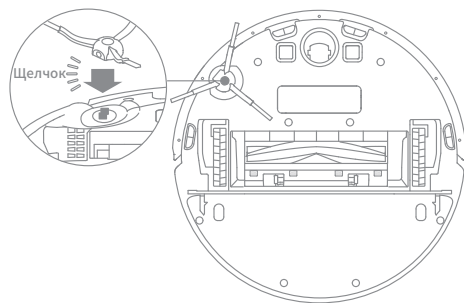
Робот может более эффективно распознавать препятствия и избегать их, например шнуры питания, обувь и носки, с помощью визуального датчика ИИ. Для гарантии наилучшей работы датчика убедитесь, что все зоны для уборки хорошо освещены.

Перед использованием

1. Удалите защитные элементы



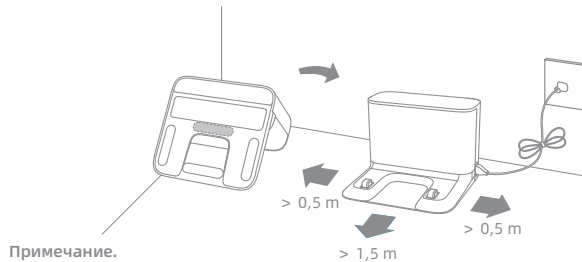
2. Установите боковую щетку



Примечание. Установите боковую щетку на место так, чтобы раздался щелчок.

3. Настройте зарядную станцию

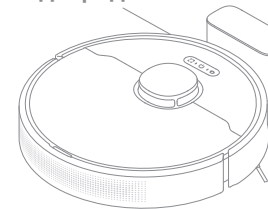
Приклейте двустороннюю клейкую ленту ко дну зарядной станции, разместите станцию на горизонтальной поверхности перпендикулярно стене и подключите ее к питанию.



Примечание.

- Убедитесь, что на расстоянии 0,5 метра от боковых сторон и 1,5 метра спереди док-станции отсутствуют посторонние предметы.
- Убедитесь, что робот и зарядная док-станция находятся в зоне действия Wi-Fi, чтобы эффективно управлять роботом через мобильное приложение.
- Не размещайте зарядную док-станцию в местах, подверженных воздействию прямых солнечных лучей, или в зонах, отгороженных посторонними предметами, так как это может помешать роботу вернуться на зарядную док-станцию.
- Используйте двустороннюю клейкую ленту согласно требованию.
- Очистите сухим полотенцем область на полу перед размещением зарядной станции.
- При необходимости медленно удалите клейкую ленту, чтобы уменьшить клейкость поверхности.

4. Установите робот на зарядную станцию для подзарядки



Индикатор уровня заряда аккумулятора

- Белый: уровень заряда аккумулятора выше 15 %.
- Оранжевый: уровень заряда аккумулятора ниже или равен 15 %.

Примечание.

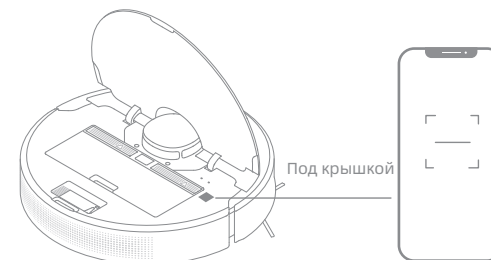
- Перед первым использованием полностью зарядите аккумулятор.
- Во время зарядки не рекомендуется устанавливать модуль для влажной уборки, чтобы влажная швабра не повредила поверхность пола.

Подключение к приложению Dreamehome


Изделие использует приложение Dreamehome для управления устройством.

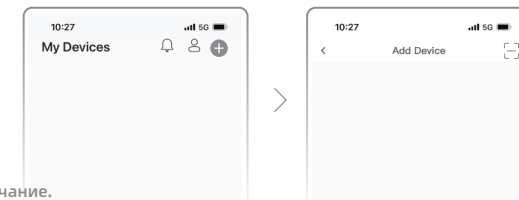
1. Загрузить приложение Dreamehome

Отсканируйте QR-код на роботе или введите в поисковой строке магазина приложений Dreamehome чтобы загрузить и установить приложение согласно требованиям.



2. Добавление устройства



Откройте приложение Dreamehome, нажмите значок  в правом верхнем углу и отсканируйте QR-код выше повторно, чтобы добавить устройство DreameBot D10s Pro. Подключитесь к Wi-Fi согласно инструкциям.

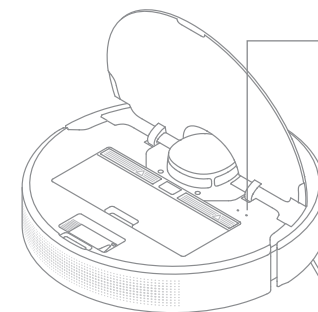


Примечание.

- функция беспроводной сети поддерживает только Wi-Fi с частотой 2.4ГГц.
- Приложение регулярно обновляется. Фактические действия могут отличаться от указанных в данной инструкции. Следуйте инструкциям, опираясь на текущую версию приложения.

3. Сброс Wi-Fi

Откройте верхнюю крышку, чтобы появился индикатор Wi-Fi. Одновременно с этим нажмите и удерживайте кнопки " " и " ", пока не услышите голосовую подсказку "Ожидание настройки сети". Как только индикатор Wi-Fi начнет медленно мигать, робот перейдет в режим подключения к сети.



Индикатор Wi-Fi

- Мигание (медленное): ожидает подключения.
- Мигание (быстрое): выполняется подключение.
- Горит: подключено



Примечание. Если ваш телефон не может подключиться к роботу, сбросьте настройки Wi-Fi и добавьте устройство повторно.

Руководство по эксплуатации


1. Быстрая влажная уборка

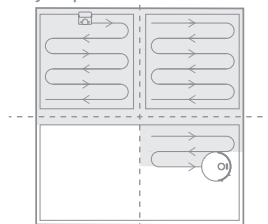
После настройки сети в первый раз создайте быструю карту, следуя инструкциям в приложении, чтобы робот мог начать построение карты, не выполняя уборку. Процесс построения карты будет завершен, когда робот вернется на зарядную док-станцию. Карта будет сохранена автоматически.

2. Включение/выключение

Нажмите и удерживайте кнопку  в течение 3 секунд, чтобы робот включился и загорелся индикатор включения. Разместите робота на зарядной док-станции, чтобы он автоматически включился и начал заряжаться. Чтобы выключить робота, уберите его со станции, нажмите и удерживайте кнопку  в течение 3 секунд.

3. Начало уборки

Коснитесь кнопки , чтобы начать уборку после включения робота. Затем робот проложит маршрут, последовательно выполнит уборку вдоль краев и стен, после чего закончит уборку каждой комнаты по S-образному маршруту для гарантии качества уборки.



Примечание. Перед началом уборки убедитесь, что робот начинает работу с зарядной док-станции. Запрещается перемещать зарядную док-станцию во время выполнения роботом уборки.

4. Пауза / сон

Во время работы робота нажмите на любую кнопку, чтобы приостановить его. Через 10 минут после остановки робот автоматически перейдет в спящий режим. Все индикаторы на роботе потухнут. Нажмите любую кнопку на роботе или используйте приложение, чтобы активировать робота.

Примечание.

- Если робот не находится на подзарядке, он автоматически выключится через 12 часа в режиме сна.
- В случае остановки робота поместите его на зарядную док-станцию для завершения текущей задачи уборки.


5. Режим Не беспокоить

В режиме Не беспокоить робот не сможет возобновлять уборку и индикатор питания погаснет. В заводских настройках режим Не беспокоить выключен по умолчанию. Вы можете включить режим Не беспокоить и изменить его длительность в приложении. По умолчанию для режима Не беспокоить настроен период времени с 22:00 до 8:00.

Примечание.

- Задачи уборки по расписанию будут своевременно выполняться с включенным режимом Не беспокоить.
- Робот возобновит уборку в месте остановки после окончания периода действия режима Не беспокоить.

6. Точечная уборка

Когда робот находится в режиме ожидания, нажмите кнопку , чтобы включить режим точечной уборки. В этом режиме робот выполнит уборку квадратного участка 1,5 x 1,5 метра вокруг себя и затем вернется в место начала.

Руководство по эксплуатации

7. Режим "Запланированная уборка"

В приложении Dreamehome доступна настройка режима "Запланированная уборка". Робот автоматически начнет уборку в назначенное время и вернется на зарядную док-станцию после завершения уборки.

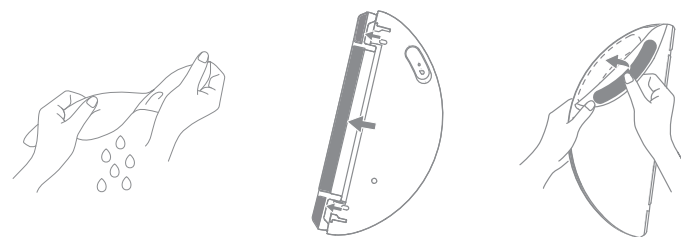
8. Больше функций приложения

Следуйте инструкциям в интерфейсе приложения, чтобы использовать больше функций. Версия приложения могла быть обновлена или частично изменена. Следуйте инструкциям для текущей версии приложения.

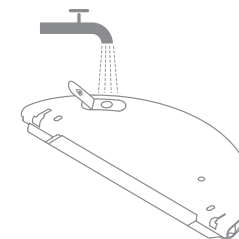
9. Функция уборки шваброй

Для достижения лучшего результата уборки рекомендуется начать использовать режим швабры после 3 применений робота.

1) Выжмите швабру и удалите остатки воды. Установите швабру, как показано на схеме.




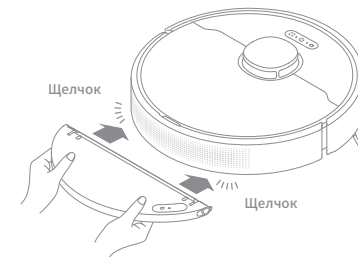
2) Заполните бак водой.



Примечание.

- Не используйте чистящие и дезинфицирующие средства.
- Не наливайте горячую воду в водяной бак во избежание его деформации.

3) Вставьте водяной бак ровно в задней части робота, пока не услышите щелчок. Начните уборку нажатием кнопки  или через приложение Dreamehome.



Примечание.

- Не рекомендуется использовать функцию уборки шваброй на коврах.
- По мере необходимости регулируйте подачу воды к швабре с помощью мобильного приложения.

Регулярный уход

Компоненты

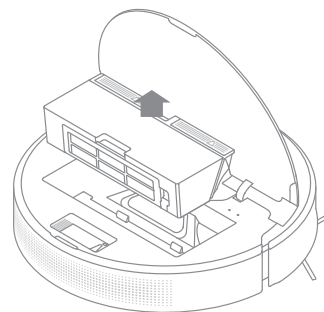
Рекомендуется выполнять регулярное обслуживание робота согласно таблице ниже для гарантии его оптимальной работы.

Компонент	Частота ремонта	Частота замены
Швабра	После каждого использования	Каждые 3-6 месяцев
Основная щетка	Каждые 2 недели	Каждые 6-12 месяцев
Фильтр контейнера для пыли		Каждые 3-6 месяцев
Боковая щетка		
Сигнальная зона зарядной док-станции	Каждый месяц	/
зарядные контакты		
Стандартное колесо		
Лазерного датчика расстояния		
Визуальный датчик с ИИ		
Датчики падения		
Водяной бак	Чистите по мере необходимости	/
Контейнер для пыли		

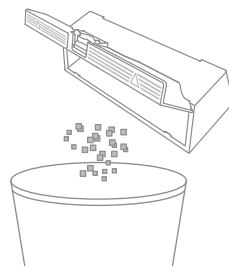
Примечание. Частота замены зависит от способа использования робота. При возникновении особых ошибок необходимо выполнить замену компонентов.

Очистка контейнера для пыли и фильтра

1. Откройте крышку робота и нажмите на зажим контейнера для пыли, чтобы снять контейнер для пыли.

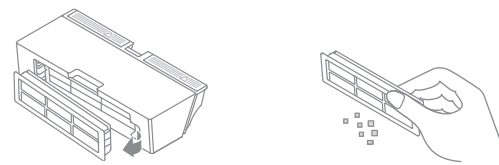


2. Откройте крышку контейнера для пыли и очистите его, как показано на рисунке.



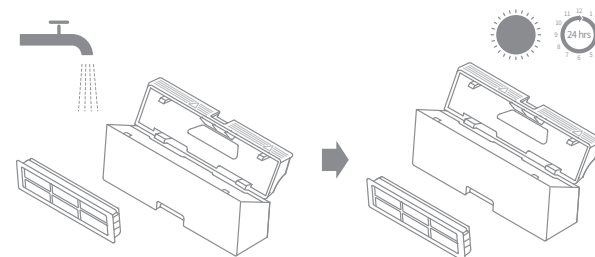
Регулярный уход

3. Снимите фильтр и слегка постучите по нему.



Примечание. Не пытайтесь очистить фильтр щеткой, пальцами или острыми предметами, чтобы не повредить его.

4. Промойте контейнер для пыли и фильтр водой, а затем тщательно просушите их перед установкой обратно.

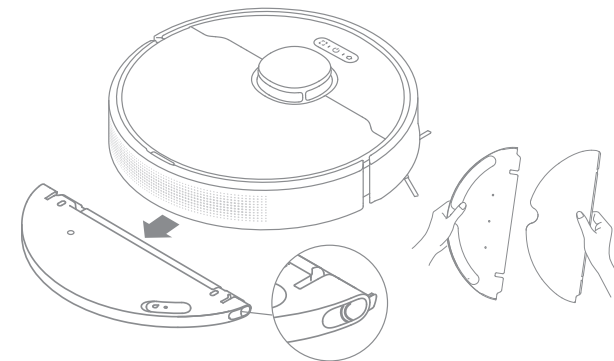


Примечание.

- Промывайте контейнер для пыли и фильтр только чистой водой. Запрещается использовать чистящее средство.
- Используйте контейнер для пыли и фильтр только после тщательной просушки.

Очистка модуля швабры

1. Переместите оба зажима на боковой стороне водяного бака, чтобы снять модуль влажной уборки, а затем снимите швабру.



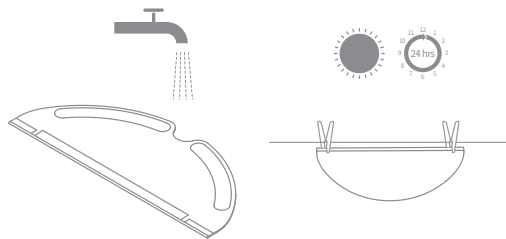
2. Слейте оставшуюся воду из водяного бака. Промойте бак водой и протрите насухо или оставьте высыхать естественным путем.



Примечание. Не подвергайте бак воздействию прямых солнечных лучей.

Регулярный уход

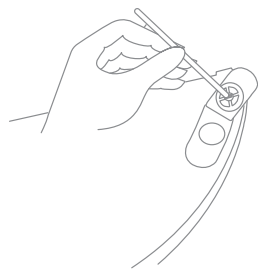
3. Промойте водой и высушите губку швабры.



Примечание.

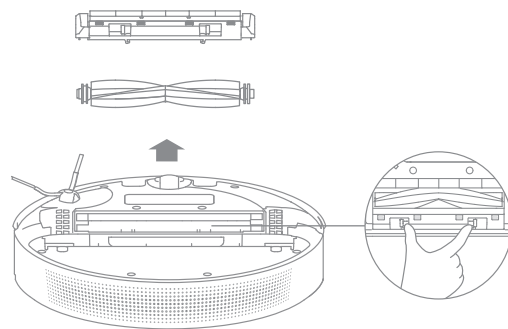
· После окончания использования извлеките губку из модуля швабры, чтобы грязная вода не вылилась обратно в бак и не засорила отверстие для в ды.

4. Если поток воды слабый или вода распределяется неравномерно, очистите воздушное отверстие в верхней части крышки водяного бака.

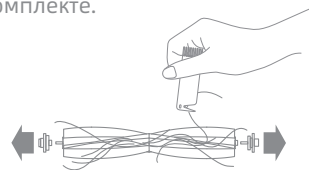


Очистка основной щетки

1. Нажмите на защитные зажимы щетки внутрь, чтобы извлечь ее защитное устройство и достать щетку из робота.



2. Снимите крышку щетки, как показано на схеме. Удалите спутавшиеся волосы с щетки с помощью чистящего инструмента в комплекте.

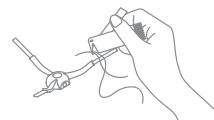


Примечание. Если на щетке осталось много спутанных волос, не тяните их с силой, чтобы не повредить щетку.

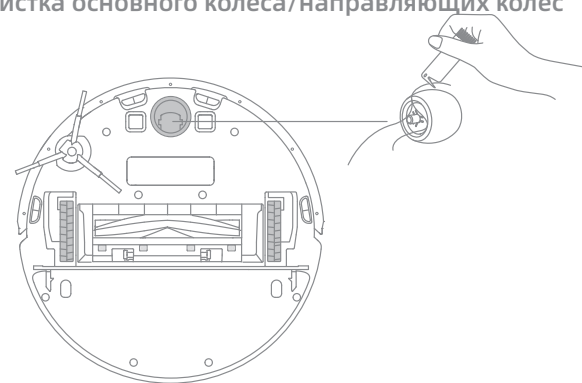
Регулярный уход

Очистка боковых щеток

Снимите боковую щетку и удалите спутавшиеся волосы со щетки с помощью чистящего инструмента в комплекте.



Очистка основного колеса/направляющих колес

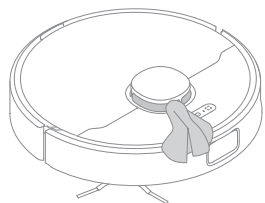


Примечание. Отделите ось и обод стандартного колеса с помощью небольшой отвертки без чрезмерных усилий.

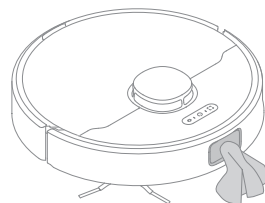
Регулярный уход

Примечание. Для очистки внутренней поверхности робота или зарядной док-станции с чувствительными электроэлементами используйте сухое полотенце. Не используйте влажное полотенце, чтобы избежать повреждений из-за воды.

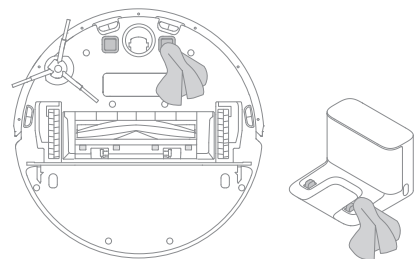
Очистите лазерный датчик LDS



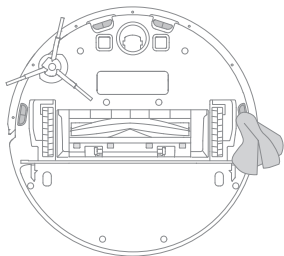
Очистить визуальный датчик с ИИ





Очистка зарядных контактов



Очистите датчик падения



Перезагрузка робота

Если робот не реагирует на команды или не выключается, нажмите и удерживайте кнопку  в течение 10 секунд для принудительного выключения робота. Затем нажмите и удерживайте кнопку  в течение 3 секунд, чтобы включить робота.

Аккумулятор

В робот встроен высокоэффективный литий-ионный аккумуляторный блок. При ежедневном использовании заряжайте аккумулятор полностью, чтобы поддерживать технические характеристики аккумулятора. Если робот не используется в течение долгого времени, отключите его и уберите на хранение. Во избежание повреждений из-за чрезмерной разрядки робот необходимо подзаряжать не реже, чем один раз в три месяца.

Вопросы и ответы

Проблема	Решение
Робот не включается	Низкий уровень заряда аккумулятора. Зарядите робот на зарядной док-станции, а затем повторите попытку. Слишком низкая или слишком высокая температура аккумулятора. Рекомендуемая рабочая температура: 0-40°C.
Робот не заряжается	Зарядная док-станция не подключена к источнику питания. Убедитесь, что оба конца шнура питания подключены правильно. Слабый контакт. Очистите зарядные пластины док-станции и зарядные контакты робота.
Робот не возвращается на зарядную док-станцию	Вокруг зарядной док-станции слишком много препятствий. Разместите док-станцию на открытом участке. Очистите сигнальную зону док-станции.
Сбой в работе робота	Выключите и перезапустите робота.
Посторонние звуки во время уборки	В основной и боковой щетках или в одном из основных колес мог застрять посторонний предмет. Остановите робота и удалите весь мусор.
Робот стал хуже убирать или оставляет после себя грязь	Контейнер для пыли заполнен. Очистите его. Фильтр забит. Очистите его. В основную щетку попал посторонний предмет. Уберите его.
Робот не подключается к Wi-Fi	Сбой подключения к беспроводной сети Wi-Fi. Сбросьте настройки Wi-Fi, загрузите последнюю версию приложения Dreamehome, а затем попробуйте подключиться повторно. Функция определения местоположения не открывается. Убедитесь, что в приложении Dreamehome включена функция определения местоположения. Слабый сигнал Wi-Fi. Переместите робота в зону с устойчивым сигналом Wi-Fi. Робот не поддерживает Wi-Fi с частотой 5 ГГц. Убедитесь, что ваш робот подключен к Wi-Fi 2.4 ГГц. Неверное имя пользователя или пароль домашнего Wi-Fi. Убедитесь, что имя пользователя и пароль введены правильно.
Не работает режим "Запланированная уборка"	Уровень заряда робота низкий. Уборка по расписанию начнется только тогда, когда уровень заряда будет минимум 15%.

Вопросы и ответы

Проблема	Решение
Если робот постоянно находится на док-станции, сколько электроэнергии он потребляет?	На док-станции робот потребляет очень мало электроэнергии, а постоянная подзарядка позволяет поддерживать технические характеристики аккумулятора.
Вода не поступает из водяного бака или ее объем недостаточный	Убедитесь, что в водяном баке есть вода. Очистите губку швабры, если она загрязнилась. Убедитесь, что губка швабры установлена правильно в соответствии с руководством по эксплуатации. Своевременно очищайте воздушное отверстие в в ерхней части крышки водяного бака.
Робот не продолжает уборку после зарядки	Убедитесь, что робот не перешел в режим "Не беспокоить", в котором он не может возобновить уборку. Робот не может продолжить уборку, если его зарядили или вернули на зарядную док-станцию вручную.
Робот не возвращается на зарядную док-станцию после изменения местоположения	После изменения местоположения робот будет заново определять свое положение. После сбоя определения местоположения робот начнет повторно генерировать карту. Если зарядная док-станция расположена слишком далеко, робот не сможет вернуться. Необходимо поместить робот на зарядную док-станцию вручную.

Для получения дополнительных услуг свяжитесь с нами по адресу aftersales@dreame.tech

Веб-сайт: <https://global.dreame.tech>

Основные параметры

Робот

Модель	RLS6A
Время зарядки	Около 6 ч
Номинальное напряжение	14,4 V \approx
Номинальная мощность	46 W
Рабочая частота	2400-2483,5 MHz
Макс. выходная мощность	< 20 dBm

Зарядная док-станция

Модель	RCS0
Номинальная входная мощность	100-240 V~50/60 Hz 0,5 A
Номинальная выходная мощность	19,8 V \approx 1 A

При обычных условиях использования между антенной этого оборудования и телом пользователя должно сохраняться расстояние не менее 20 см.

Извлечение и утилизация аккумулятора

Встроенный литий-ионный аккумулятор содержит опасные для окружающей среды вещества. Аккумулятор должен быть извлечен квалифицированными техническими специалистами и утилизирован в приспособленном для этого месте.

- перед утилизацией аккумулятора необходимо извлечь из прибора;
- перед извлечением аккумулятора необходимо отключить прибор от источника энергии;
- аккумулятор необходимо утилизировать безопасным способом.

МЕРЫ ПРЕДОСТОРОЖНОСТИ:

- Перед извлечением аккумулятора отключите прибор от источника питания и максимально израсходуйте заряд аккумулятора.
- Ненужные аккумуляторы необходимо утилизировать в приспособленном для этого месте.
- Запрещается оставлять изделие при высокой температуре во избежание взрывов.
- В случае повреждения аккумулятора жидкость может вытечь. При соприкосновении с жидкостью промойте место контакта водой и обратитесь за медицинской помощью.

Информация об утилизации и переработке отходов электрического и электронного оборудования



Все изделия с символом раздельного сбора отработанного электрического и электронного оборудования (Директива WEEE 2012/19/EU) следует утилизировать отдельно от несортируемых бытовых отходов. С целью охраны здоровья и защиты окружающей среды такое оборудование необходимо сдавать на переработку в специальные пункты приема электрического и электронного оборудования, определенные правительством или местными органами власти. Правильная утилизация и переработка помогут предотвратить возможные негативные последствия для окружающей среды и здоровья человека. Для получения информации о местонахождении и порядке приема устройств в пунктах приема обратитесь в компанию, занимающуюся установкой оборудования, или в местные органы власти.

Инструкция по извлечению

1. Переверните робот, с помощью инструмента извлеките винты в задней части робота и затем снимите крышку.
2. Отсоедините провода терминалов между аккумулятором и печатной платой и извлеките аккумулятор.

Informacje dotyczące bezpieczeństwa

Aby uniknąć porażenia prądem, pożaru lub obrażeń ciała spowodowanych niewłaściwym użytkowaniem urządzenia, należy uważnie przeczytać instrukcję obsługi przed użyciem urządzenia i zachować ją na przyszłość.

Ograniczenia w użytkowaniu

- Z produktu nie powinny korzystać dzieci poniżej 8 roku życia ani osoby z niedostatkami i fizycznymi, sensorycznymi, intelektualnymi lub ograniczonym doświadczeniem czy niewystarczającą wiedzą bez nadzoru rodzica lub opiekuna, aby zapewnić bezpieczną obsługę i uniknąć wszelkich zagrożeń. Dzieci nie powinny przeprowadzać czyszczenia i konserwacji bez nadzoru.
- Dzieci nie mogą bawić się tym produktem. Należy upewnić się, że dzieci i zwierzęta domowe przebywają w bezpiecznej odległości od odkurzacza z mopem podczas jego pracy.
- Ten produkt jest przeznaczony wyłącznie do czyszczenia podłóg w środowisku domowym. Nie należy używać go na zewnątrz, na powierzchniach innych niż podłogi oraz w pomieszczeniach komercyjnych lub przemysłowych.
- Jeśli przewód zasilający zostanie uszkodzony lub zepsuty, należy natychmiast zaprzestać jego używania i skontaktować się z działem obsługi posprzedażnej.
- Robot nie należy używać na obszarze zawieszonym nad ziemią bez uprzedniego zastosowania bariery ochronnej.
- Nie należy umieszczać robota do góry nogami. Nie należy używać pokrywy czunika laserowego LDS, pokrywy robota ani zderzaka, jako uchwytu.
- Nie należy używać robota w temperaturze powyżej 40°C lub poniżej 0°C, a także na podłogach z płynami lub lepкими substancjami.
- Przed użyciem robota należy podnieść z podłogi wszelkie przewody, aby zapobiec ich przemieszczaniu podczas czyszczenia.
- Należy usunąć z podłogi wszelkie delikatne lub małe przedmioty, aby zapobiec ich uszkodzeniu w przypadku zderzenia.

Informacje dotyczące bezpieczeństwa

Ograniczenia w użytkowaniu

- Aby uniknąć uszkodzeń lub szkód spowodowanych ciągnięciem, przed rozpoczęciem pracy urządzenia należy usunąć z podłogi wszelkie luźne przedmioty oraz usunąć kable lub przewody zasilające znajdujące się na ścieżce czyszczenia.
- Należy trzymać włosy, palce i inne części ciała z dala od otworu ssącego robotów.
- Trzymać przyrząd do czyszczenia szczotki poza zasięgiem dzieci.
- Nie wolno umieszczać dzieci, zwierząt domowych ani żadnych przedmiotów na robocie, niezależnie od tego, czy jest on nieruchomy, czy się porusza.
- Nie używać robota do czyszczenia jakichkolwiek palnych substancji. Nie należy używać robota do czyszczenia łatwopalnych lub wybuchowych cieczy, gazów korozyjnych, nierozcieńczonych kwasów lub rozpuszczalników.
- Nie odkurzaj twardych ani ostrych przedmiotów. Nie należy używać urządzenia do czyszczenia przedmiotów takich jak kamienie, duże kawałki papieru lub innych przedmiotów, które mogą zatkać urządzenie.
- Przed czyszczeniem lub konserwacją należy upewnić się, że robot jest wyłączony, a stacja ładująca jest odłączona od zasilania.
- Nie należy używać mokrej szmatki do wycierania ani żadnego płynu do optukiwania robota i stacji ładującej. Części nadające się do mycia muszą być całkowicie wysuszone przed ich zamontowaniem i użyciem.
- Na czas transportu należy upewnić się, że robot jest wyłączony oraz, w miarę możliwości, znajduje się w oryginalnym opakowaniu.
- Produktu należy używać zgodnie z instrukcjami zawartymi w instrukcji obsługi. Użytkownicy ponoszą odpowiedzialność za wszelkie straty lub szkody wynikające z niewłaściwego użytkowania tego produktu.

Informacje dotyczące bezpieczeństwa

Akumulator i ładowanie

- Nie należy używać baterii, przewodu zasilającego ani stacji dokującej wyprodukowanych przez firmy trzecie. Do stosowania wyłącznie z zasilaczem RCS0.
- Nie należy podejmować samodzielnych prób rozbierania, naprawy lub modyfikowania akumulatora lub stacji ładującej.
- Nie stawiać stacji ładującej w pobliżu źródła ciepła.
- Nie używać mokrej szmatki ani mokrych rąk do wycierania lub czyszczenia styków ładowania stacji ładującej.
- Utylizować stare akumulatory we właściwy sposób. Zbędne akumulatory należy przykazywać do odpowiednich zakładów zajmujących się recyklingiem.
- Jeżeli robot nie będzie używany przez dłuższy czas, należy naładować go do pełna, a następnie wyłączyć i przechowywać w chłodnym i suchym miejscu. Ładować robota co najmniej raz na 3 miesiące, aby uniknąć nadmiernego rozładowania akumulatora.
- Wewnątrz tego produktu znajdują się akumulatory, które mogą być wymieniane wyłącznie przez wykwalifikowanych techników lub serwis posprzedażny.

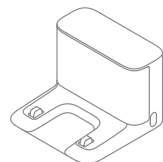
Ważne informacje dotyczące bezpieczeństwa

- Czujnik laserowy w tym produkcie spełnia normę IEC 60825-1: 2014 dla produktów laserowych klasy 1. Należy unikać bezpośredniego kontaktu wzrokowego z nim podczas użytkowania.

Niniejszym firma Dreame Trading (Tianjin) Co., Ltd. oświadczając, że urządzenie radiowe typu RLS6A jest zgodne z dyrektywą 2014/53/UE. Pełny tekst deklaracji zgodności UE jest dostępny na następującej stronie internetowej: <https://global.dreame.tech.com>
Szczegółową elektroniczną instrukcję obsługi można znaleźć na stronie <https://global.dreame.tech.com/pages/user-manuals-and-faq>

Przegląd produktu

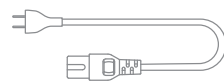
Aksesoria



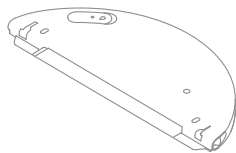
Stacja ładująca



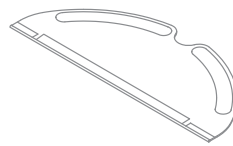
Przyrząd do czyszczenia



Kabel zasilający



Zbiornik na wodę



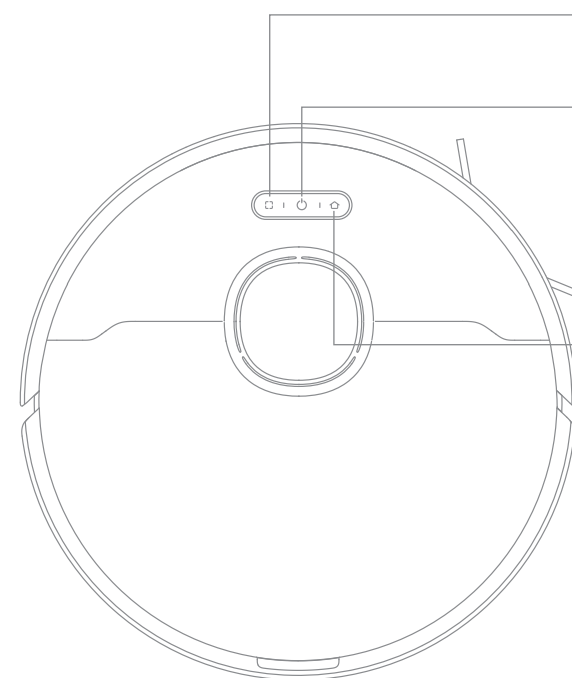
Podkładka mopa



Szczotka boczna

Przegląd produktu

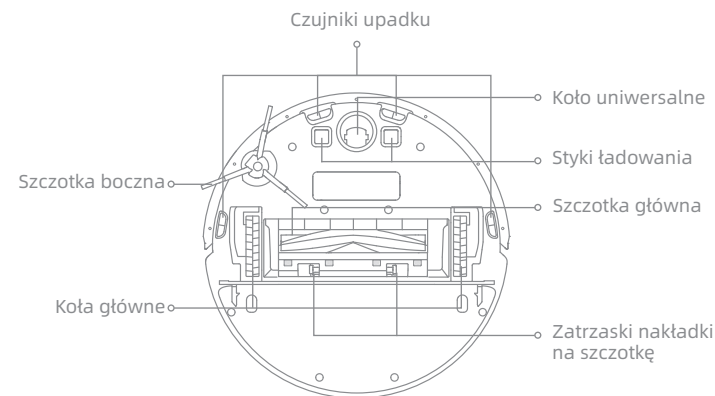
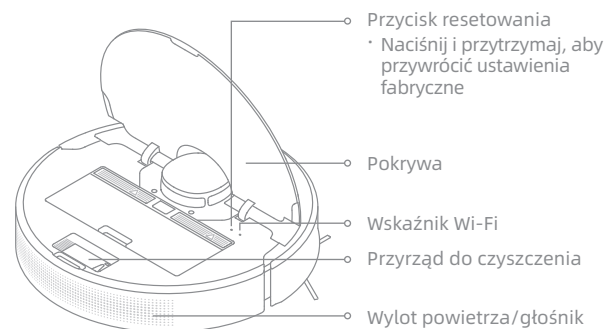
Robot



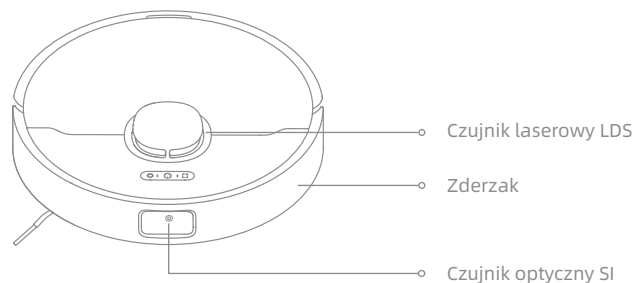
- Przycisk czyszczenia punktowego
 - Naciśnij krótko, aby rozpocząć czyszczenie punktowe
- Przycisk zasilania/czyszczenia
 - Naciśnij i przytrzymaj przez 3 sekundy, aby włączyć i wyłączyć
 - Naciśnij krótko, aby włączyć czyszczenie po uruchomieniu robota
- Przycisk stacji dokującej
 - Naciśnij, aby odesłać robota do stacji ładującej
 - Naciśnij i przytrzymaj przez 3 sekundy, aby wyłączyć Blokadę Rodzicielską
- Wskaźnik stanu
 - Światło białe: czyszczenie w toku lub czyszczenie zakończone
 - Migające światło pomarańczowe: błąd
 - Niebieski: Monitoring włączony

Przegląd produktu

Robot

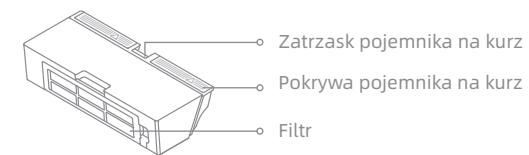


Czujniki robota

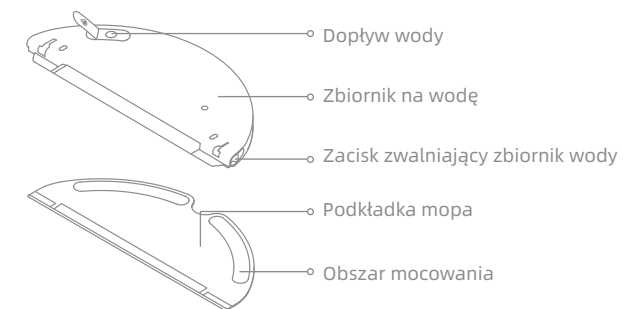


Przegląd produktu

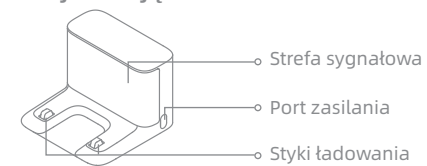
Pojemnik na kurz



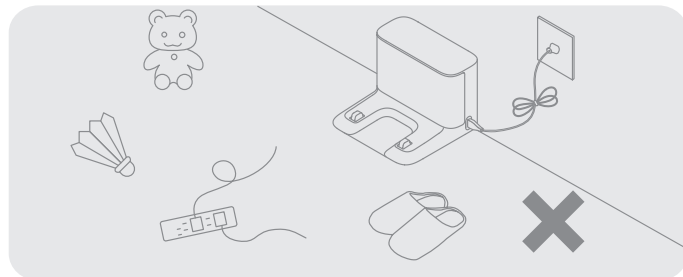
Moduł mopujący



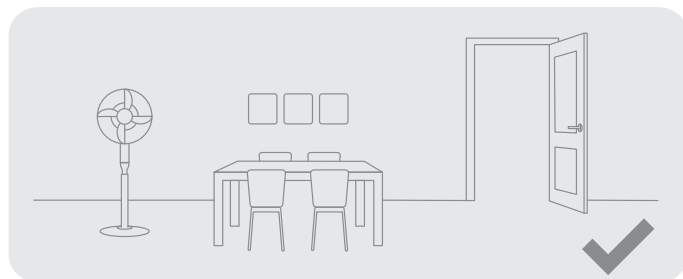
Stacja ładująca



Przygotowanie domu



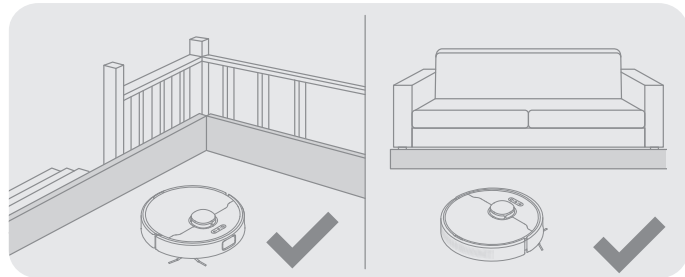
Uprzątnij przedmioty takie jak przewody zasilające, ściereczki, kaptcie i zabawki, aby zwiększyć wydajność robota.



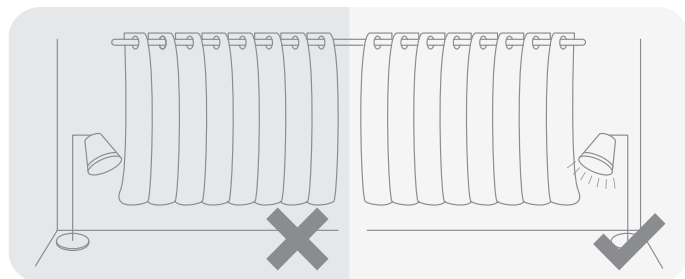
Otwórz drzwi do sprzątanego pomieszczenia i umieść meble tak, aby uzyskać więcej miejsca.

Uwaga:

- Podczas pierwszego użycia robota, należy go śledzić podczas czyszczenia, aby w porę usunąć wszelkie potencjalne przeszkody.
- Aby zapobiec nierozpoznanemu czyszczonego obszaru, nie stawaj bezpośrednio przed robotem, na progu, w korytarzu lub w wąskich miejscach.



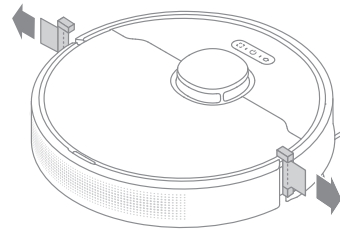
Przed czyszczeniem użyj fizycznej zapory na krawędziach schodów i sofy, aby zapewnić bezpieczną i płynną pracę robota.



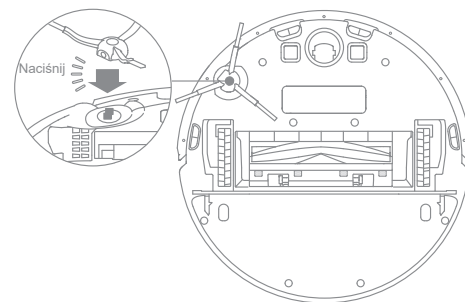
Dzięki czujnikowi wizualnemu SI robot może lepiej rozpoznawać i omijać przeszkody, takie jak przewody zasilające, buty i skarpetki. Aby w pełni wykorzystać możliwości czujnika wizualnego AI, upewnij się, że wszystkie obszary, które mają być czyszczone, są dobrze oświetlone.

Przed użyciem

1. Zdejmij paski ochronne



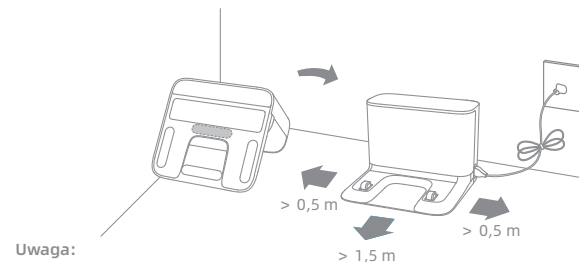
2. Zamontuj szczotkę boczną



Uwaga: Zamontuj szczotkę boczną, aż zatrzaśnie się na swoim miejscu.

3. Ustawianie stacji dokującej

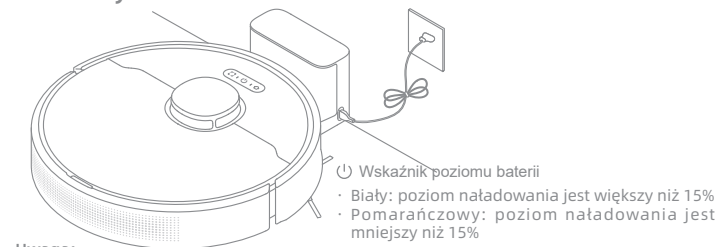
Przyklej taśmę dwustronną na spodzie stacji dokującej, a następnie umieść stację dokującą na równym podłożu przy ścianie i podłącz ją do zasilania.



Uwaga:

- Należy zachować co najmniej 0,5 metra wolnej przestrzeni po obu stronach stacji ładującej oraz co najmniej 1,5 metra wolnej przestrzeni przed nią.
- W celu zapewnienia prawidłowej łączności telefonu z robotem należy zadbać o to, aby zarówno odkurzacz, robot i stacja ładująca były w zasięgu sieci Wi-Fi.
- Nie umieszczać stacji ładującej w miejscu bezpośrednio narażonym na działanie promieni słonecznych lub takim, w którym inne przedmioty mogłyby blokować jej strefę sygnałową. Może to uniemożliwić powrót robota do stacji ładującej w celu naładowania.
- Użyj taśmy dwustronnej w zależności od potrzeb.
- Wyczyść powierzchnię, na której zostanie umieszczona stacja dokująca, za pomocą suchej szmatki.
- W razie potrzeby usuń taśmę dwustronną powoli, aby zmniejszyć ilość pozostałości po kleju.

4. Umieść robota w doku ładowania. Robot zacznie się automatycznie ładować



Uwaga:

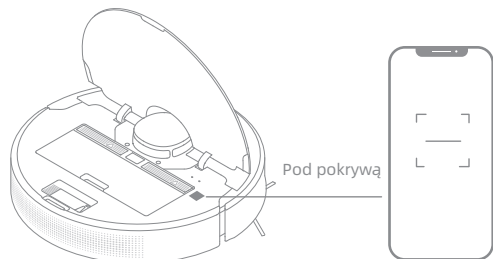
- Naładować baterię do pełna przed pierwszym użyciem.
- Nie montuj modułu mopującego podczas ładowania. Zachowaj szczególną ostrożność z mokrym mopem, ponieważ może on uszkodzić podłogę.

Połącz z aplikacją Dreamehome

Ten produkt współpracuje z aplikacją Dreamehome, która może być używana do sterowania urządzeniem.

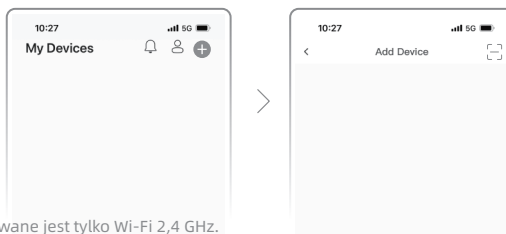
1. Pobierz aplikację Dreamehome

Zeskanuj kod QR znajdujący się na robocie lub wyszukaj "Dreamehome" w sklepie z aplikacjami, aby pobrać i zainstalować aplikację w zależności od potrzeb.



2. Dodaj urządzenie

Otwórz Dreamehome, kliknij "+" w prawym górnym rogu i zeskanuj ponownie powyższy kod QR, aby dodać "DreameBot D10s Pro". Postępuj zgodnie z instrukcjami, aby zakończyć nawiązywanie połączenia Wi-Fi.

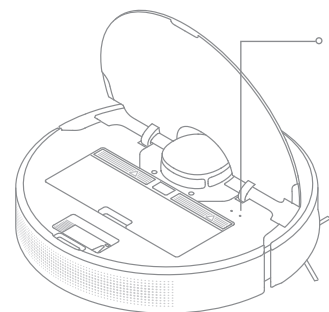


Uwaga:

- Obsługiwane jest tylko Wi-Fi 2,4 GHz.
- Aktualizacja oprogramowania aplikacji w toku. Rzeczywiste działania mogą się różnić od tych zawartych w niniejszej instrukcji. Należy postępować zgodnie z instrukcjami opartymi na najnowszej wersji aplikacji.

3. Resetowanie połączenia Wi-Fi

Otwórz górną pokrywę odkurzacza, aby zobaczyć wskaźnik Wi-Fi. Następnie naciśnij jednocześnie przyciski [] i [] i przytrzymaj je do momentu usłyszenia komunikatu głosowego o oczekiwaniu na konfigurację sieci. Gdy wskaźnik Wi-Fi zacznie powoli migać, będzie to oznaczało, że połączenie zostało pomyślnie zresetowane.



Wskaźnik Wi-Fi

- Powolne miganie: oczekiwanie na połączenie
- Szybkie miganie: łączenie
- Światło stałe: połączony

Uwaga: Gdy telefon nie zdoła się połączyć z odkurzaczem, zresetuj sieć Wi-Fi i dodaj urządzenie ponownie.

Użytkowanie

1. Szybkie mapowanie

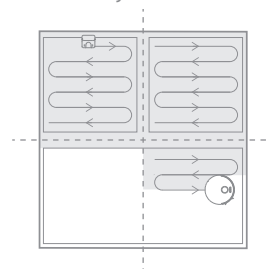
Po skonfigurowaniu sieci po raz pierwszy, postępuj zgodnie z instrukcjami w aplikacji, aby szybko utworzyć mapę, a robot rozpocznie mapowanie bez czyszczenia. Proces mapowania zostanie zakończony, gdy robot powróci do stacji dokującej, a mapa zostanie zapisana automatycznie.

2. Włączanie/wyłączanie

Naciśnij i przytrzymaj przycisk [] przez 3 sekundy, aby włączyć robota, wskaźnik zasilania będzie świecił się światłem stałym. Po umieszczeniu robota na stacji dokującej, powinien on włączyć się automatycznie i rozpocząć ładowanie. Aby wyłączyć robota, odsuń go od stacji i naciśnij i przytrzymaj przycisk [] przez 3 sekundy.

3. Czyszczenie

Po włączeniu robota naciśnij krótko przycisk [], aby rozpocząć czyszczenie. Następnie robot dokładnie wyznaczy trasę, metodycznie wyczyści wzdłuż krawędzi i ścian, a następnie zakończy dokładnie czyszcząc każde pomieszczenie ścieżką czyszczenia w kształcie litery S.



Uwaga: Przed zadaniem czyszczenia, należy upewnić się, że robot wystartował ze stacji dokującej. Nie należy przesuwac stacji ładujacej podczas pracy robota.

4. Wstrzymaj / Uśpij

Gdy robot pracuje, naciśnij dowolny przycisk, aby go wstrzymać. Jeśli robot został wstrzymany na dłużej niż 10 minut, automatycznie przejdzie w tryb uśpienia. Wszystkie wskaźniki na robocie wyłączą się. W celu wybudzenia robota naciśnij dowolny przycisk na robocie lub użyj aplikacji.

Uwaga:

- Odkurzacz wyłączy się automatycznie po 12 godzinach w trybie czuwania.
- Wstrzymanie pracy odkurzacza i umieszczenie go w stacji ładujacej spowoduje zakończenie bieżącego sprzątnia.

5. Tryb Nie przeszkadzać

Gdy jest ustawiony tryb Nie przeszkadzać, robot nie będzie mógł wznowić czyszczenia, a wskaźnik zasilania zgaśnie. Tryb Nie przeszkadzać jest domyślnie wyłączony. Można użyć aplikacji, aby włączyć tryb Nie przeszkadzać lub zmienić okres jego trwania. Domyślnie okres trybu Nie przeszkadzać to 22:00-8:00.

Uwaga:

- W okresie trybu Nie przeszkadzać zaplanowane zadania czyszczenia będą nadal wykonywane.
- Robot wznowi czyszczenie w miejscu, w którym je przerwał, po upływie okresu Nie przeszkadzać.

6. Czyszczenie Punktowe

Gdy robot jest w stanie gotowości, naciśnij krótko przycisk [], aby włączyć tryb Czyszczenia punktowego. W tym trybie robot wyczyści kwadratowy obszar o wymiarach 1,5 x 1,5 metra wokół siebie i powróci do punktu wyjścia po zakończeniu Czyszczenia punktowego.

Użytkowanie

7. Zaplanowane czyszczenie

Aplikacja Dreamehome pozwala zaplanować czyszczenie. Robot automatycznie rozpocznie zadanie o wyznaczonej godzinie, a po jego zakończeniu wróci do stacji ładującej w celu naładowania.

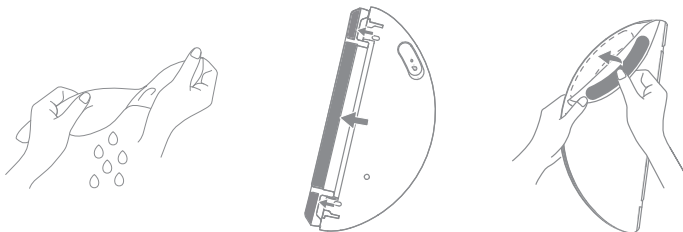
8. Więcej funkcji aplikacji

Postępuj zgodnie z instrukcjami w interfejsie aplikacji, aby korzystać z większej liczby funkcji. Wersja aplikacji mogła zostać zaktualizowana i należy postępować zgodnie z instrukcjami opartymi na aktualnej wersji aplikacji.

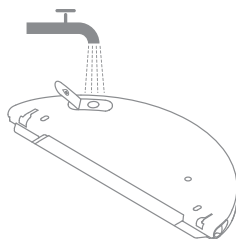
9. Użycie funkcji mopowania

Zaleca się odkurzanie wszystkich podłóg co najmniej trzy razy przed pierwszym myciem, aby uzyskać lepszy efekt czyszczenia.

1) Należy zwilżyć podkładkę mopa i wykręcić nadmiar wody. Zamontuj podkładkę mopa tak jak pokazano na rysunku.




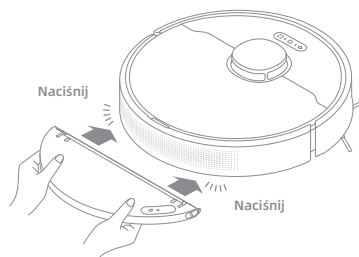
2) Napętnij zbiornik wodą.



Uwaga:

- Nie używać żadnych środków czyszczących ani dezynfekujących.
- Nie należy napętniać zbiornika na wodę gorącą wodą, ponieważ może to spowodować jego zniekształcenie.

3) Wyrównaj moduł mopujący zgodnie ze strzałką, a następnie wsuń go z tyłu robota, aż do jego zatrzaśnięcia we właściwej pozycji. Naciśnij przycisk  lub użyj aplikacji Dreamehome, aby rozpocząć czyszczenie.



Uwaga:

- Nie zaleca się używania funkcji mopowania na dywanach.
- Za pomocą aplikacji można regulować przepływ wody w zależności od potrzeb.

Dzienna konserwacja

Części

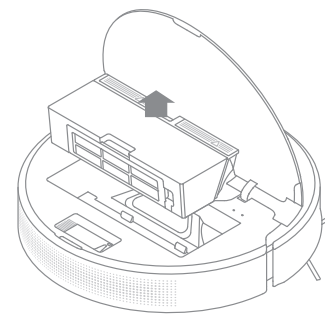
Aby utrzymać robota w dobrym stanie, zalecane jest zapoznanie się z poniższą tabelą dotyczącą rutynowych czynności konserwacyjnych.

Część	Częstotliwość konserwacji	Częstotliwość wymiany
Podkładka mopa	Po każdym użyciu	Co 3 do 6 miesięcy
Szczotka główna	Co 2 tygodnie	Co 6 do 12 miesięcy
Filtr pojemnika na kurz		Co 3 do 6 miesięcy
Szczotka boczna	Co miesiąc	/
Obszar sygnalizacji stacji dokującej		
Styki ładowania		
Koło uniwersalne		
Czujnik laserowy LDS		
Czujnik optyczny SI	Wyczyścić w razie potrzeby	/
Czujniki upadku		
Zbiornik na wodę		
Pojemnik na kurz		

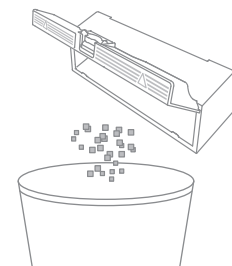
Uwaga: Częstotliwość wymiany będzie zależała od sposobu użytkowania robota. W przypadku szczególnych okoliczności, części powinny zostać wymienione.

Pojemnik na kurz i filtr

1. Otwórz pokrywę robota i naciśnij zatrzaśk pojemnika na kurz, aby zdemonstrować pojemnik na kurz.

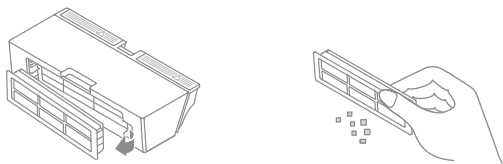


2. Otwórz pokrywę pojemnika na kurz tak, jak pokazano na rysunku.



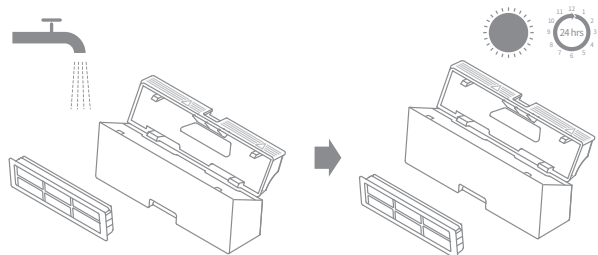
Dzienna konserwacja

3. Zdemontuj filtr i postukaj w niego lekko.



Uwaga: Nie należy próbować czyścić filtra szczotką, palcem ani ostrymi przedmiotami, aby zapobiec jego uszkodzeniu.

4. Optucz pojemnik na kurz i filtr wodą i wysusz je całkowicie przed ponownym zamontowaniem.

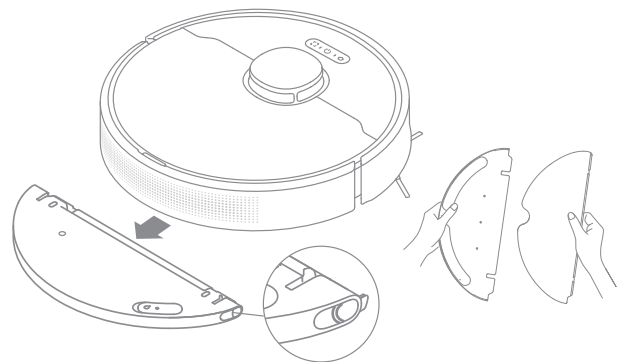


Uwaga:

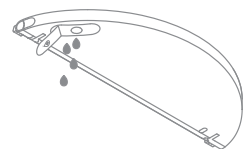
- Pojemnik na kurz i filtr należy ptukać wyłącznie przy użyciu bieżącej wody. Nie należy używać żadnych detergentów.
- Wyłącznie po całkowitym wyschnięciu należy ponownie używać pojemnika na kurz i filtra.

Czyszczenie modułu mopującego

1. Przesuń dwa klipsy zwalniające z boku zbiornika na wodę, aby zdjąć moduł mopujący, a następnie ściągnij podkładkę mopa z modułu mopującego.



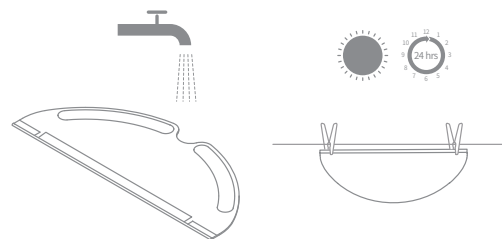
2. Opróżnij pozostałą wodę ze zbiornika. Przed ponownym zamontowaniem optucz wodą i pozostaw do wyschnięcia na powietrzu.



Uwaga: Nie wystawiać zbiornika bezpośrednio na słońce.

Dzienna konserwacja

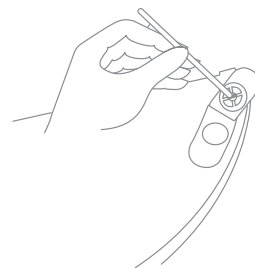
3. Wyczyść i osusz wkład myjący.



Uwaga:

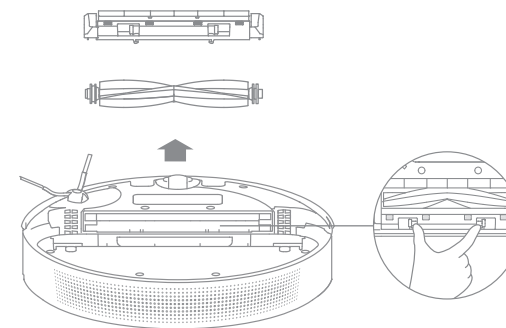
- Po użyciu wyjąć wkład myjący i oczyścić. Należy upewnić się, że brudna woda nie wpływa z powrotem do odpływu wody, aby uniknąć jego zatkania.

4. Jeśli występuje powolny przepływ wody lub objętość nie jest dobrze rozprowadzona, należy wyczyścić otwór powietrzny w pokrywie zbiornika wody.

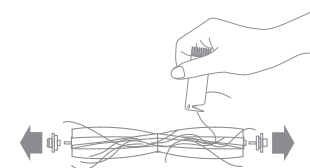


Czyszczenie szczotki głównej

1. Naciśnij zatrzaski osłony szczotki do wewnątrz, aby zdjąć osłonę szczotki i wyjmij szczotkę z robota.



2. Wyciągnij osłony szczotki, jak pokazano na rysunku. Użyj dołączonego narzędzia czyszczącego, aby usunąć włosy zaplątane w szczotce.

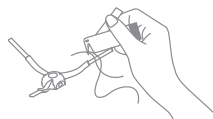


Uwaga: Nie należy używać nadmiernej siły przy oczyszczaniu włosów, aby uniknąć uszkodzenia szczotki.

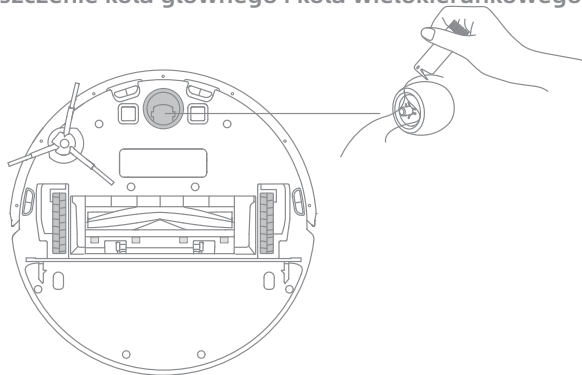
Dzienna konserwacja

Czyszczenie szczotki bocznej

Wyciągnij szczotkę boczną i użyj dołączonego narzędzia do czyszczenia, aby usunąć włosy zaplątane w szczotkę.



Czyszczenie koła głównego i koła wielokierunkowego

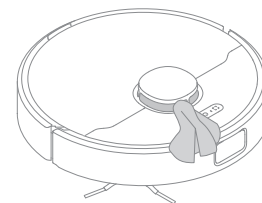


Uwaga: Należy użyć narzędzi takich, jak mały śrubokręt, aby oddzielić oś od opony koła uniwersalnego.

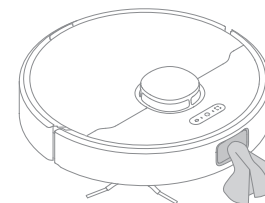
Dzienna konserwacja

Uwaga: Do czyszczenia używaj suchej ściereczki, ponieważ odkurzacz i strona wewnętrzna stacji ładującej zawierają wrażliwe elementy. Nie należy używać mokrej ściereki, aby zapobiec uszkodzeniom spowodowanym przez wodę.

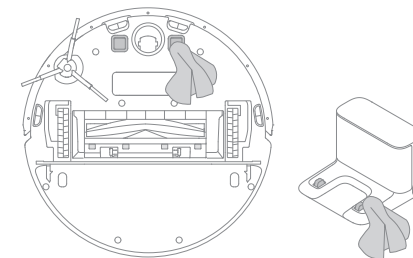
Wyczyść czujnik laserowy LDS



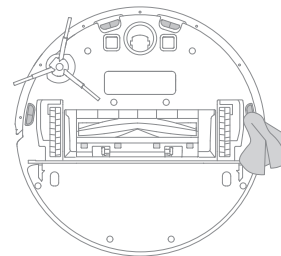
Czyszczenie czujnika optycznego SI





Czyszczenie styków ładowania



Czyszczenie czujników upadku



Ponowne uruchamianie robota

Jeśli robot przestanie reagować lub nie można go wyłączyć, naciśnij i przytrzymaj przycisk  przez 10 sekund, aby wyłączyć go ręcznie. Następnie należy nacisnąć i przytrzymać przycisk  przez 3 sekundy, aby włączyć robota.

Akumulator

Robot wyposażono w wysokiej jakości akumulator litowo-jonowy. Należy upewnić się, że pozostaje on dobrze naładowany podczas codziennego użytkowania, aby utrzymać jego optymalną wydajność. Jeśli robot nie jest używany przez dłuższy czas, należy go wyłączyć i odłożyć. Aby zapobiec uszkodzeniom spowodowanym nadmiernym rozładowaniem, robota należy ładować co najmniej raz na trzy miesiące.

Pytania i odpowiedzi

Problem	Rozwiązanie
Robot nie włącza się	Poziom baterii jest zbyt niski. Naładuj robota w stacji ładującej i spróbuj ponownie. Temperatura baterii jest zbyt niska lub zbyt wysoka. Zaleca się używanie urządzenia w temperaturze pomiędzy 32 °F (0°C) a 104 °F (40°C).
Robot nie ładuje się	Stacja ładująca nie jest podłączona do zasilania. Należy upewnić się, że oba końce przewodu są poprawnie podłączone. Słabe połączenie. Wyczyść styki ładowania robota i stacji ładującej.
Robot nie może wrócić do stacji	Wokół stacji ładującej jest zbyt wiele przeszkód. Umieść stację ładującą na większej przestrzeni. Oczyść strefę sygnałową stacji ładującej.
Robot działa nieprawidłowo	Wyłącz i włącz robota ponownie
Robot wydaje dziwny dźwięk	Obcy przedmiot może zapłątać się w szczotkę główną, szczotkę boczną lub jedno z kół głównych. Zatrzymaj odkurzacza i usuń wszelkie zanieczyszczenia.
Robot nie czyści tak skutecznie, jak wcześniej, lub pozostawia kurz za sobą	Pojemnik na kurz jest pełny. Należy go opróżnić. Filtr jest zapchany. Należy go oczyścić. Obcy przedmiot zapłątał się w szczotkę główną. Należy go usunąć.
Robot nie może się połączyć z siecią Wi-Fi	Wystąpił problem z połączeniem Wi-Fi. Należy zresetować połączenie Wi-Fi i pobrać najnowszą wersję aplikacji Dreamehome, a następnie spróbować ponownie nawiązać połączenie. Pozwolenie na dostęp do lokalizacji nie jest aktywne. Upewnij się, że zezwolenie na dostęp do lokalizacji w aplikacji Dreamehome jest aktywne. Sygnał sieci Wi-Fi jest za słaby. Należy upewnić się, że robot znajduje się w obszarze z dobrym zasięgiem sieci Wi-Fi. Wi-Fi 5 GHz nie jest obsługiwane. Upewnij się, że twój odkurzacza łączy się z Wi-Fi 2,4 GHz. Nazwa użytkownika lub hasło Wi-Fi jest nieprawidłowe. Należy upewnić się, czy zostały wprowadzona prawidłowa nazwa i hasło użytkownika.
Robot nie rozpoczyna zaplanowanego czyszczenia	Robot ma słabą baterię. Zaplanowane czyszczenie nie rozpocznie się, dopóki bateria robota nie będzie naładowana co najmniej w 15%.

Pytania i odpowiedzi

Problem	Rozwiązanie
Czy pozostawienie robota w stacji ładującej powoduje zużycie energii nawet wtedy, gdy odkurzacza jest naładowany?	Pozostawienie robota w stacji ładującej po jego pełnym naładowaniu skutkuje minimalnym zużyciem energii, który pomaga zachować optymalną wydajność akumulatora.
Ze zbiornika na wodę nie wypływa woda lub wypływa jej tylko trochę	Należy upewnić się, że zbiornik jest napełniony wodą. W razie potrzeby wyczyść wkład myjący. Należy upewnić się, że wkład myjący jest zainstalowany prawidłowo, zgodnie z instrukcją obsługi. Należy oczyścić otwór w zbiorniku na wodę.
Robot nie wznowia czyszczenia po naładowaniu	Należy upewnić się, że robot nie jest w trybie „nie przeszkadzać”, co uniemożliwia wznowienie czyszczenia. Robot nie wznowia czyszczenia po ręcznym naładowaniu lub umieszczeniu w stacji ładującej.
Robot nie wraca do stacji ładującej po jego przeniesieniu	Przeniesienie robota może spowodować zmianę jego pozycji lub ponowne zeskanowanie otoczenia. Jeśli robot jest za daleko od stacji ładującej, może nie być w stanie automatycznie do niej powrócić. W takim przypadku należy ręcznie umieścić go w stacji ładującej.

W celu uzyskania dodatkowej obsługi prosimy o kontakt poprzez e-mail: aftersales@dreame.tech

Strona internetowa: <https://global.dreame.tech>

Dane techniczne

Robot

Model	RLS6A
Czas ładowania	Ok. 6 godzin
Napięcie znamionowe	14,4 V \approx
Moc znamionowa	46 W
Częstotliwość operacji	2400-2483,5 MHz
Maksymalna moc wyjściowa	< 20 dBm

Stacja ładująca

Model	RCS0
Wejście	100-240 V~50/60 Hz 0,5 A
Wyjście	19,8 V \approx 1 A

W normalnych warunkach użytkowania to urządzenie powinno znajdować się w odległości 20 cm od anteny i ciała użytkownika.

Utylizacja i wyjmowanie baterii

Wbudowany akumulator litowo-jonowy zawiera substancje niebezpieczne dla środowiska. Przed utylizacją należy upewnić się, że akumulator został wyjęty przez wykwalifikowanych techników i zutylizowany w odpowiednim punkcie recyklingu.

- bateria musi być wyjęta z urządzenia przed jego złomowaniem;
- podczas wyjmowania baterii urządzenie musi być odłączone od zasilania;
- baterię należy zutylizować w bezpieczny sposób.

UWAGA:

- Przed wyjęciem baterii należy odłączyć zasilanie i maksymalnie wyczerpać baterię.
- Niepotrzebne baterie należy zutylizować w odpowiednim punkcie recyklingu.
- Nie należy wystawiać na działanie wysokiej temperatury, aby uniknąć ryzyka wybuchu.
- Z powodu niewłaściwych warunków z baterii może zostać wydostać się ciecz. Jeśli dojdzie do kontaktu ciała z cieczą, należy opłukać dane miejsce pod wodą i zasięgnąć pomocy medycznej.

Instrukcja demontażu

1. Odwróć robota, użyj odpowiedniego narzędzia do odkręcenia śrub znajdujących się z tyłu robota, a następnie zdejmij pokrywę.
2. Odłącz zaciski pomiędzy baterią a płytą główną, aby wyjąć baterię.

Informacje dotyczącej europejskiej dyrektywy WEEE



Wszystkie produkty opatrzone tym symbolem są zużytym sprzętem elektrycznym i elektronicznym (WEEE, jak w dyrektywie 2012/19/UE), które go nie należy mieszać z niesortowanymi odpadami domowymi. Należy chronić zdrowie ludzkie i środowisko poprzez przekazanie sprzętu specjalnemu punktowi zbiórki odpadów do recyklingu zużytego sprzętu elektrycznego i elektronicznego, wyznaczonego przez władze rządowe lub lokalne. Prawidłowa utylizacja i recykling pomogą zapobiec potencjalnym negatywnym skutkom dla środowiska i zdrowia ludzkiego. Aby uzyskać więcej informacji na temat lokalizacji oraz warunków takich punktów zbiórki, należy skontaktować się z instalatorem lub władzami lokalnymi.

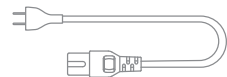
- הרחיקו שערות, אצבעות וחלקי גוף אחרים מפתח היניקה של רובוט.
- הרחיקו את מברשת הניקוי מהישג ידם של ילדים.
- אין להניח ילדים, בעלי חיים או כל פריט אחר מעל רובוט בין אם הוא בתנועה או עומד.
- אין לעשות שימוש ברובוט לניקוי חומרים בוערים. אין להשתמש ברובוט להרמת נזלים דליקים או ניצתים, גזים מאכלים, או חומצות לא מדוללות או ממיסים.
- אין לשאוב חפצים קשים או חדים. אין להשתמש במכשיר להרים עצמים כגון אבנים, חתיכות גדולות של נייר או כל חפץ שעלול לתקוע את המכשיר.
- אנא וודאו כי רובוט כבוי ותחנת הטעינה מנותקת ממקור החשמל טרם ביצוע פעולת ניקיון או תחזוקה.
- אין להשתמש במגבת לחה לנגב את הרובוט או בכל נזל בכדי לשטוף אותו או את בסיס הטעינה. יש לייבש חלקים נשטפים לחלוטין לפני התקנה מחדש ושימוש בהם.
- אנא וודאו כי רובוט כבוי בעת הובלתו ממקום למקום ודאגו לשמור אותו במארז המקורי שלו ככל הניתן.
- יש להשתמש במוצר זה בהתאם להנחיות המצוינות במדריך זה למשתמש. המשתמשים אחראים על אובדן או נזק הנובע כתוצאה משימוש לא נכון במוצר זה.

על מנת להמנע מהתחשמלות, שריפה או פציעה בנגרם עקב שימוש לא נכון במכשיר, אנא קראו את המדריך למשתמש לעומק לפני המשימוש במכשיר ושמרו עליו לעיון בעתיד.

- כדי להבטיח הפעלה בטוחה ולמנוע תאונות, אסור השימוש במוצר זה לילדים בני פחות מ-8 שנים, לאנשים מבוגרים עם מגבלות גופניות, תחושתיות או מנטלית או לחסרי ידע או ניסיון, ללא השגחה של הורה או מבוגר אחראי. אין להתיר לילדים לבצע ניקוי ותחזוקה ללא השגחה.
- חל איסור על ילדים לשחק עם מוצר זה. וודאו כי ילדים ובעלי חיים נמצאים במרחק בטוח מרובוט בעת הפעלתו.
- מוצר זה נועד לניקוי רצפה בסביבה ביתית בלבד. אין לעשות בו שימוש במקום פתוח, על גבי משטחים שאינם רצפה או בסביבה מסחרית או תעשייתית.
- במידה וכבל החשמל נפגם או מתקלקל, הפסיקו מיד את השימוש במוצר וצרו קשר עם מרכז השירות לאחר מכירה.
- אין לעשות שימוש ברובוט בשטח שתלוי מעל גובה הרצפה ללא מחסום הגנה.
- אין להניח את הרובוט הפוך. אין להשתמש במכסה ה - LDS, מכסה הרובוט, או פגוש כידיית לרובוט.
- אין לעשות שימוש ברובוט בטמפרטורת סביבה מעל 40°C או מתחת ל- 0°C או על רצפה עם נזלים או חומרים דביקים.
- הרימו כבלים מהרצפה טרם השימוש ברובוט וזאת על מנת למנוע גרירה שלהם בזמן ביצוע פעולת הניקיון.
- הסירו פריטים שבירים או קטנים מהרצפה וזאת על מנת למנוע היתקלות של רובוט בהם וגרירתם.
- כדי למנוע נזק או פגיעה מגרירה, יש לנקות את כל האובייקטים הרופפים מהרצפה ולהסיר כבלים או כבלי חשמל בנתיב הניקוי לפני הפעלת המכשיר.

סקירת המוצר

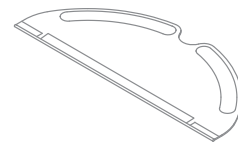
אביזרים



כבל חשמל



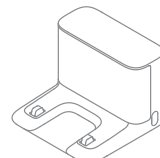
כלי ניקוי



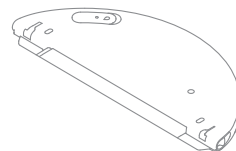
פד מגב



מברשת צדדית



תחנת עגינה



מיכל מים

מידע בטיחותי

סוללות וטעינה

- אין להשתמש בסוללה, בכבל חשמל או בתחנת עגינה לטעינה של ספקים חיצוניים. השתמשו רק בספק כוח דגם RCS0.
- אין לנסות ולפרק, לתקן או לבצע שינויים בסוללה או בעמדת הטעינה בעצמכם.
- אין למקם את עמדת הטעינה בקרבת מקור חום.
- אין לעשות שימוש במטלית רטובה או בידיים רטובות לניגוב או לניקוי מגעי הטעינה של עמדת הטעינה.
- אין להשליך סוללות ישנות באופן לא ראוי. סוללות לא נחוצות יש להשליך במתקן מחזור מתאים.
- אם השואב לא ישמש למשך פרק זמן ממושך, טען אותו במלואו, ואז כבה אותו ואחסן אותו במקום קריר ויבש. טען מחדש את השואב לפחות פעם ב-3 חודשים כדי למנוע פריקה מוגזמת.
- מוצר זה כולל סוללות הניתנות להחלפה על ידי טכנאים מוסמכים או על ידי מרכז שירות לאחר מכירה בלבד.

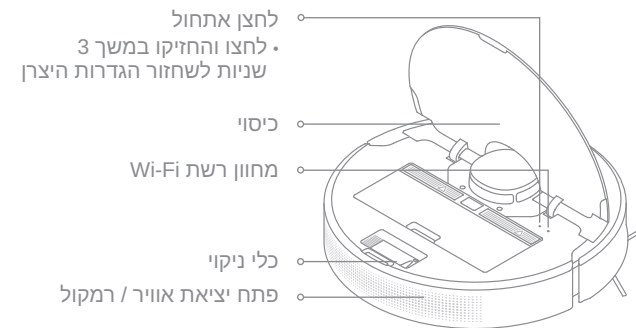
מידע בנושא בטיחות לייזר

- חיישן הלייזר במוצר זה עומד בתקן IEC 60825-1: 2014 עבור מוצרי לייזר Class 1. יש להימנע מקשר עין ישיר עמו במהלך השימוש.

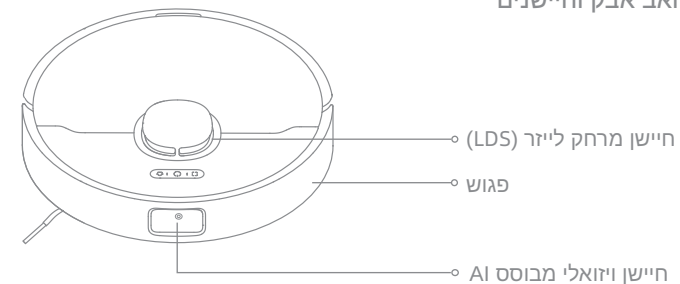
לעיון במדריך מקוון מפורט, בקר בכתובת
<https://global.dreametech.com/pages/user-manuals-and-faqs>

סקירת המוצר

רובוט

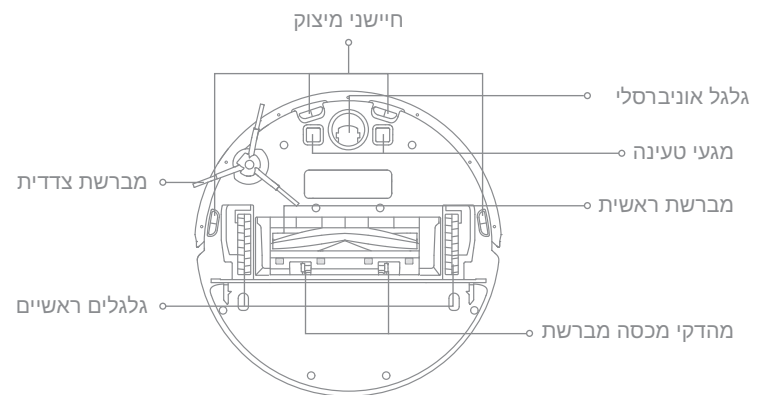


שואב אבק וחיישנים



סקירת המוצר

רובוט

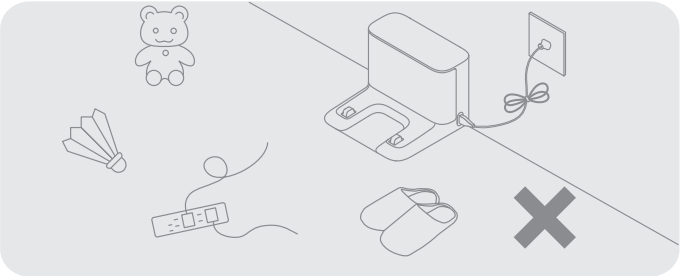


כפתור נקייון נקודתי
 • לחצו לחיצה קצרה להתחלת נקייון נקודתי

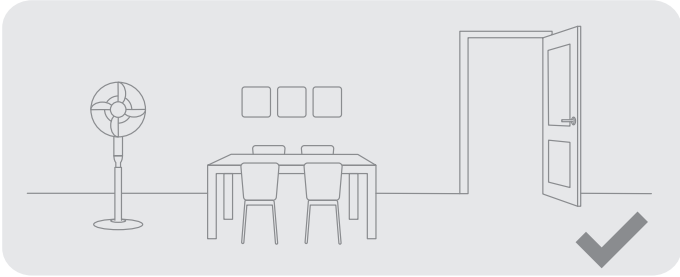
לחצן הפעלה / כיבוי / נקייון
 • לחצו והחזיקו למשך 3 שניות להדליק או לכבות
 • לחצו לחיצה קצרה להתחיל בנקייון (לאחר הדלקת הרובוט)

לחצן עגינה
 • לחצו על הלחצן לשליחת הרובוט חזרה לתחנת העגינה
 • לחצו והחזיקו 3 שניות על מנת להסיר את מנועל הילדים

מחוון סטטוס
 • לבן: במצב נקייון או שפעולת הניקייון הסתיימה
 • כתום מהבהב: שגיאה (תקלה)
 • כחול: ניטור המצלמה מופעל



נקה פריטים כגון כבלי חשמל, מטליות, נעלי בית וצעצועים כדי לשפר את היעילות של הרובוט.



פתחו את דלת החדר שיש לנקות, והניחו רהיטים (כגון כיסאות) במקום ראוי על מנת לפנות יותר מקום.

שימו לב:

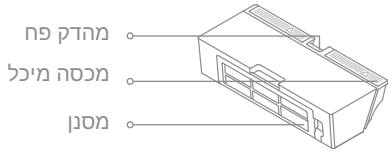
- בזמן הפעלת הרובוט בפעם הראשונה, עקבו אחריו בזמן הניקוי כדי להסיר את כל המכשולים הפוטנציאליים בזמן.
- על מנת למנוע מהרובוט אי יכולת לזהות את האיזור לניקוי, אל תעמדו בטווח מול הרובוט, מסדרונות או מקומות צרים.

סקירת המוצר

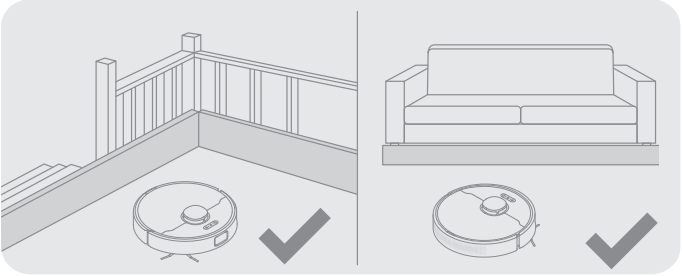
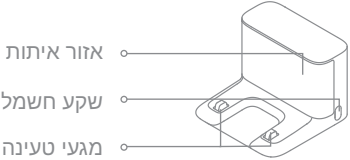
רכיב ניגוב



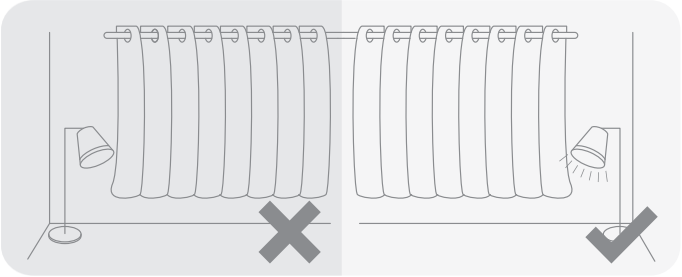
סל אבק



תחנת עגינה



לפני הניקיון, אנה השתמשו בחפץ לחסום איזורים נמוכים או איזורים שיש בהם חשש לפילה, על מנת לשמור על הרובוט ולהבטיח את תנועתה החופשית.



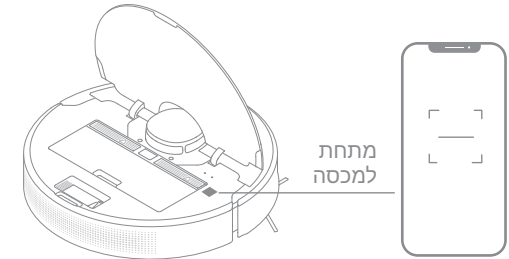
באמצעות החיישן החזותי של הבינה המלאכותית, הרובוט יכול לזהות ולהימנע טוב יותר ממכשולים כגון כבלי חשמל, נעליים וגרביים, כדי להפיק את המרב מהחיישן החזותי של הבינה המלאכותית, ולוודא שכל האזורים שיש לנקות מוארים היטב.

התחברו באמצעות אפליקציית Dreamehome

מוצר זה עובד עם האפליקציית Dreamehome, שניתן להשתמש בה כדי לשלוט במכשיר שלך.

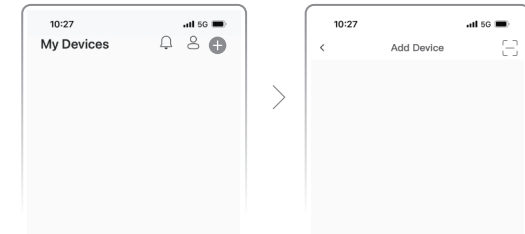
1. הורד את האפליקציית Dreamehome

סרוק את קוד ה-QR של הרובוט, או חפש את "Dreamehome" בחנות האפליקציות כדי להוריד ולהתקין את האפליקציית בהתאם לצרכים שלך.



2. הוסף רובוט

פתחו את ה-Dreamehome, הקישו על ה- "+" בפינה הימנית העליונה, וסרוקו את קוד ה-QR שלעיל שוב על מנת להוסיף את "DreameBot D10s Pro". נא פעל בהתאם להנחיות כדי לסיים את חיבור ה-Wi-Fi.

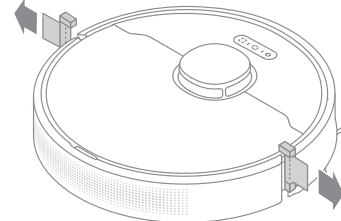


שימו לב:

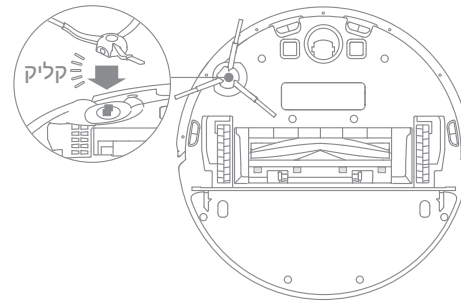
- רק WiFi בתדר 2.4Ghz נתמך.
- תוכנת האפליקצייה משתדרגת, והפעילות שלה בפועל עלולה להשתנות מהוראות במדריך זה. אנא עקבו אחר ההוראות בהתבסס על הגרסה העדכנית של האפליקצייה.

לפני השימוש

1. הסירו את פסי המגן



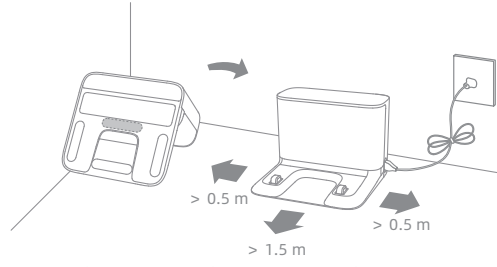
2. התקינו את המברשת הצדדית



הערה: יש להתקין את המברשת הצדדית עד שהיא תילחץ למקומה.

3. הגדרת תחנת העגינה לטעינה

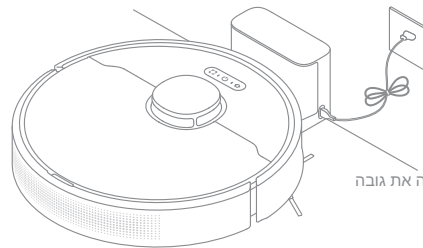
הדביקו את הדבק הדו-צדדי בתחתית תחנת הטעינה, ואז הניחו את תחנת העגינה על הקרקע המישורית על הקיר וחברו אותה לשקע חשמל.



שימו לב:

- אנא וודאו שאין אף חפץ במרחק של 0.5 מטר או יותר בכל אחד מהצדדים של עמדת הטעינה, ושל יותר מ-1.5 מטר בחזית שלה.
- על מנת להבטיח שתוכלו לחבר היטב את הרובוט למכשיר הטלפון שלכם, אנא וודאו כי עמדת העגינה נמצאת בטווח רשת ה-Wi-Fi.
- אין למקם את תחנת העגינה בשטח המכיל אור שמש ישיר או במקום שבו חפצים אחרים עלולים לחסום את שטח האיתות שלו, כיוון שהם עשויים לעכב את הרובוט מלחזור לתחנת העגינה.
- השימוש בדבק הדו-צדדי מבוסס על הצורך שלך.
- אנא נקו את שטח הרצפה שבו יוצב תחנת הטעינה עם סמרטוט יבש.
- במידת הצורך, הסר את הדבק הדו-צדדי באיטיות כדי להפחית את שאריות ההדבקה.

4. הניחו את הרובוט על תחנת העגינה לטעינה מחדש



- צבע נורית מחוון צריכת החשמל מראה את גובה הסוללה
- לבן: גובה הסוללה מעל 15%
- כתום: גובה הסוללה מתחת ל-15%

שימו לב:

הטעינה עד הסוף לפני השימוש בפעם הראשונה. בזמן הטעינה, לא מומלץ להתקין את המגבת המודולרית, על מנת למנוע פגיעה ברצפה על ידי המגבת הרטובה.

אופן השימוש

7. ניקיון מתוזמן

באפשרותכם לתזמן את זמן הניקיון ביישום Dreamehome. הרובוט יתחיל לנקות באופן אוטומטי בזמן שהוגדר ולאחר מכן יחזור לתחנת העגינה לטעינה חוזרת לאחר שהניקיון הסתיים.

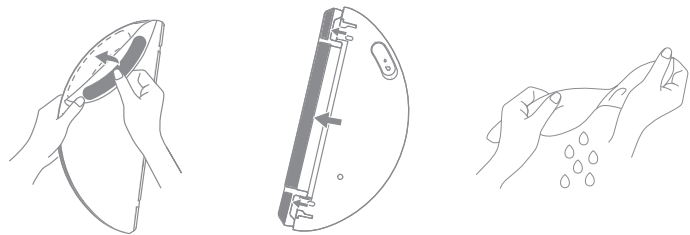
8. אפשרויות אפליקציה נוספות

עקבו אחר ההנחיות באפליקציה לאפשרויות נוספות. עקב שדרוג ועדכון מתמשך של האפליקציה, ייתכן שחלו שינויים קלים, נא פעלו ע"פ הגירסה הנוכחית.

9. שימוש בפונקציית ניגוב

לקבלת תוצאות שטיפת רצפה מיטביות, מומלץ לנקות את הרצפה 3 פעמים לפני הפעלת פונקציית הניגוב בפעם הראשונה.

1) הרטיבו את משטח המגב וסחטו החוצה את המים העודפים. התקן את משטח הסמרטוט כפי שמוצג בתרשים.



שימו לב:

- לא מומלץ להפעיל פעולת מגב על גבי שטיחים.
- השתמשו באפליקציה על מנת לכוון זרימת מים כנדרש.

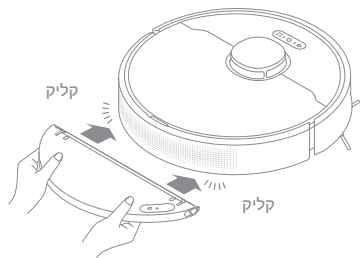
2) למלא את המיכל במים.



שימו לב:

- אין לעשות שימוש בתכשירי ניקוי או בחומרי חטינו.
- אין למלא עם מים חמים, שעלולים לגרום לשינוי צורת מיכל המים.

3) יישרו את רכיב הניגוב כמצוין באמצעות החץ, לאחר מכן החליקו אותו לתוך החלק האחורי של הרובוט עד הישמע ה"קליק". לחצו על או השתמשו באפליקציית Dreamehome על מנת להתחיל בניקיון.



שימו לב:

1. מיפוי מהיר

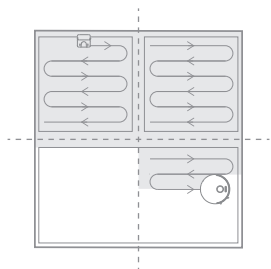
לאחר קביעת התצורה של הרשת בפעם הראשונה, בצע את ההוראות באפליקציה כדי ליצור במהירות מפה, והרובוט יתחיל למפות ללא ניקוי. תהליך המיפוי יושלם כאשר השואב יחזור לתחנת הטעינה, והמפה תישמר באופן אוטומטי.

2. הפעלה / כיבוי

לחצו והחזיקו את כפתור ה- למשך 3 שניות על מנת להדליק את הרובוט, וחיווי החשמל דלוק באופן קבוע. הניחו את השואב על תחנת הטעינה, השואב אמור להידלק באופן אוטומטי ולהתחיל לטעון. כדי לכבות את השואב, הרחיקו את השואב מהרציף ולחצו לחיצה ממושכת על כפתור למשך 3 שניות.

3. תחילת הניקיון

לחץ על הכפתור בקצרה כדי להתחיל לנקות לאחר הפעלת השואב. לאחר מכן, השואב ימפה במדויק מסלול, ינקה באופן שיטתי לאורך הקצוות והקירות, ואז יסיים על ידי ניקוי כל חדר בתבנית בצורת S כדי להבטיח עבודה יסודית.



שימו לב: לפני משימת ניקוי, ודאו שהשואב מתחיל מתחנת הטעינה. אין להזיז את בסיס הטעינה כאשר הרובוט בנקיון.

אופן השימוש

4. השהייה \ שינה

כאשר הרובוט פועל, לחץ על לחצן כלשהו כדי להשהות אותו. אם השואב מושהה למשך יותר מ-10 דקות, הוא נכנס באופן אוטומטי למצב שינה. כל האינדיקטורים על השואב יכבו. לחץ על כפתור בשואב, או השתמש באפליקציה כדי להעיר את השואב.

שימו לב:

- הרובוט יכבה באופן אוטומטי לאחר 12 שעות במצב שינה ללא טעינה.
- ברגע שהרובוט מושהה, הנחתו על תחנת העגינה תסיים את משימת הניקיון הנוכחית.

5. מצב נא לא להפריע (DND)

כאשר הרובוט מוגדר למצב נא לא להפריע (DND), הרובוט יימנע מלחדש את הניקוי ומחווני ההפעלה כבה. מצב DND אינו זמין כברירת מחדל במפעל. באפשרותך להשתמש ביישום כדי להפוך את מצב DND לזמין או כדי לשנות את תקופת ה-DND. תקופת ה-DND היא 8:00-22:00 כברירת מחדל.

שימו לב:

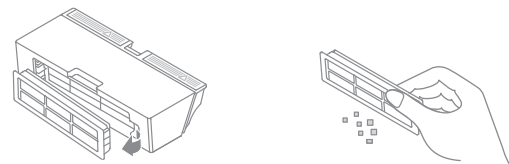
- משימות הניקוי המתוזמנות יבוצעו בזמן במהלך תקופת ה-DND.
- הרובוט יחדש את הניקוי היכן שהפסיק לאחר שתקופת ה-DND תפוג.

6. נקיון נקודתי

כאשר הרובוט נמצא בכוננות, לחץ בקצרה על הכפתור כדי להפעיל את מצב ניקוי המקום. במצב זה, הרובוט מנקה שטח בצורת ריבוע של 1.5 x 1.5 מטר סביבו וחוזר לנקודת ההתחלה שלו לאחר השלמת ניקוי הנקודה.

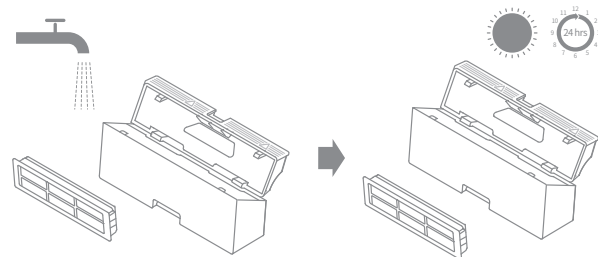
תחזוקה שגרתית

3. הסירו את המסנן והקישו על סלו בעדינות.



הערה: אין לנסות לנקות את המסנן באמצעות מברשת, אצבע או עצמים חדים כדי למנוע נזק.

4. שטפו את פח האבק ומסננים במים ומייבשים אותם לחלוטין לפני ההתקנה מחדש.



שימו לב:

- שטפו את מיכל האבק ואת המסנן עם מים נקיים בלבד. אין להתמש בחומר ניקוי.
- יש להשתמש במיכל האבק והמסנן רק לאחר שהתייבשו לחלוטין.

תחזוקה שגרתית

חלקים

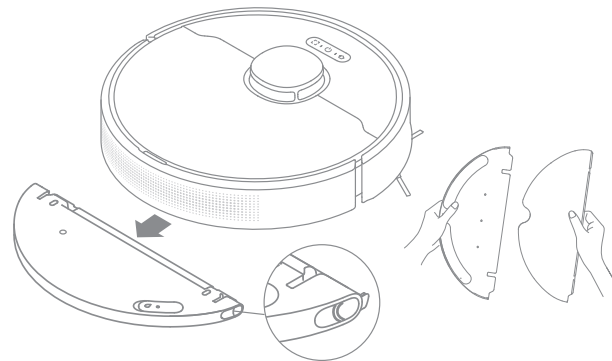
כדי לשמור על הרובוט במצב טוב, מומלץ להתייחס לטבלה הבאה לתחזוקה שוטפת.

חלק	תדירות אחזקה	תדירות החלפה
ספוג מגב	לאחר כל שימוש	כל 3 עד 6 חודשים
מברשת ראשית	פעם בשבועיים	פעם ב-6 עד 12 חודשים
מסנן מיכל האבק		
מברשת צדדית	פעם בחודש	/
אזור האיתות של תחנת העגינה לטעינה		
מגעי טעינה		
גלגל אוניברסלי		
חיישן מרחק לייזר (LDS)		
חיישן יזואלי מבוסס AI	נקה בעת הצורך	/
חיישני מיצוק		
מיכל מים		
סל אבק		

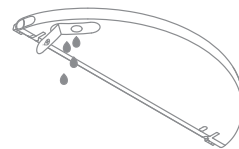
שימו לב: תדירות ההחלפה תהיה תלויה בשימוש שלכם ברובוט. אם יש יוצא מן הכלל בעקבות מקרה חריג, יש להחליף את החלקים.

ניקוי רכיב הניגוב

1. החלק את שני קליפס השחרור בצד מיכל המים כדי להסיר את מודול הניגוב, ולאחר מכן למשוך את כרית הסמרטוט ממודול הניגוב.



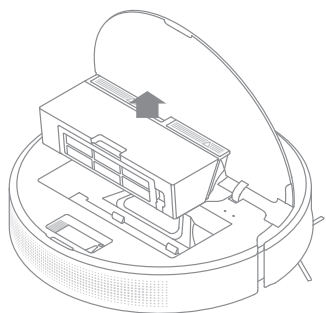
2. רוקנו את המים שנותרו במיכל המים והניחו לו להתייבש באוויר.



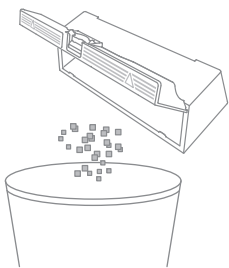
שימו לב: אין לחשוף את המיכל ישירות לשמש.

ניקוי מיכל הפסולת והמסנן

1. פתחו את מכסה הרובוט ולחצו על קליפ מיכל האבק לשחרור.



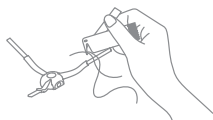
2. פתחו את מכסה המיכל ורוקנו את המיכל על פי התרשים.



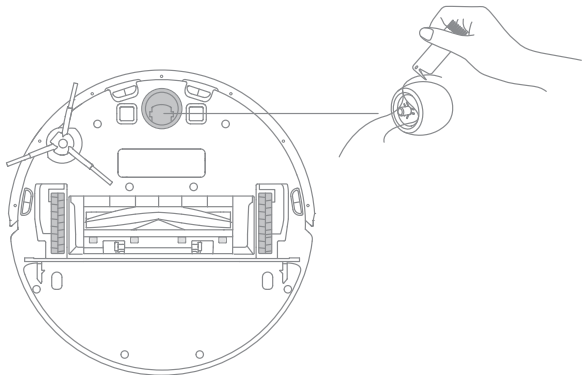
תחזוקה שגרתית

ניקוי המברשת הצדדית

שלפו את המברשת הצדדית והשתמשו בכלי הניקוי המצורף כדי להסיר כל שיער הסבוך במברשת.



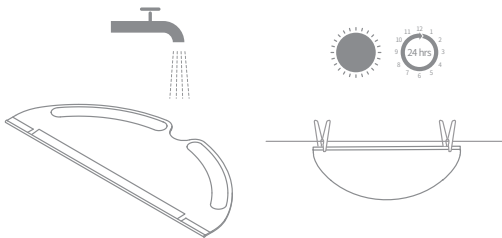
ניקוי הגלגל הראשי והגלגל הרב-כיווני



שימו לב: השתמשו בכלי כגון מברג קטן להפריד את ציר וצמיג של הגלגל האונברסלי.

תחזוקה שגרתית

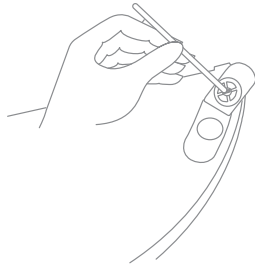
3. נקו את הסמרטוט במים בלבד והניחו לו להתייבש באוויר.



שימו לב:

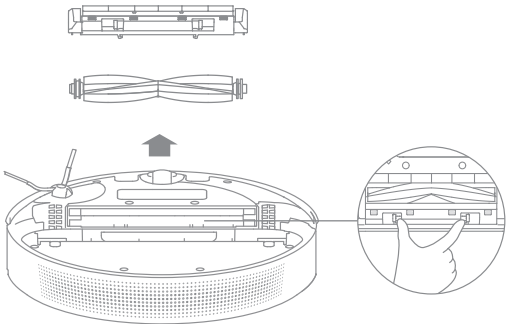
הסירו את הסמרטוט מרכיב השטיפה לפני הניקוי, וודאו שהמים המלוכלכים אינם זורמים בחזרה לתוך יציאת המים כדי למנוע את סתימתה.

4. אם זרם המים חלש, או אם הנפח אינו מפוזר היטב, נקו את חורי האוויר במכסה מיכל המים.



ניקוי המברשת הראשית

1. לחצו על מהדקי מגן המברשת פנימה כדי להסיר את מגן המברשת ולהרים את המברשת מהרובוט.



2. שלפו את כיסויי המברשת כפי שמוצג בתרשים. השתמשו בכלי הניקוי שסופק כדי להסיר את השיער שהסתבך במברשת.



שימו לב: במידה והסתבך שיער סביב המברשת, אין למשוך את השיער בכוח, שלא ייגרם נזק למברשת.

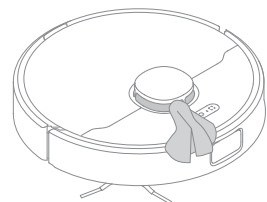
שאלות ובעיות נפוצות

בעייה	פתרונות
הרובוט אינו נדלק	רמת הסוללה חלשה. הטעינו מחדש את רובוט בתחנת העגינה, ונסו שוב. טמפרטורת הסוללה נמוכה מידי או גבוהה מידי. מומלץ להפעיל את המכשיר בטמפרטורה שבין 0°C - 40°C.
הרובוט אינו נטען מחדש	תחנת העגינה אינה מקבלת הספק חשמלי. אגא וודאו כי שני קצוות כבל החשמל מחוברים למקומם כראוי. מגע לא טוב. נקו את מגעי הטעינה של תחנת העגינה ושל הרובוט.
הרובוט אינו חוזר לתחנת העגינה	ישנם יותר מדי מכשולים סביב תחנת העגינה. מקמו את תחנת העגינה במקום יותר פתוח. אגא נקו את שטח האיתות של תחנת העגינה.
הרובוט אינו תקין	כבו את הרובוט והפעילו מחדש.
הרובוט מפיק רעש מוזר נעת הניקיון	יתכן וגוף זר נתפס בתוך המברשת הראשית, המברשת הצדדית או באחד מהגלגלים הראשיים. הפסיקו את פעולת הרובוט והוציאו את הלכלוך.
הרובוט אינו מנקה ביעילות או משאיר אבק	מיכל האבק מלא, אגא נקו אותו. המסנן חסום. אגא נקו אותו. גוף זר נלכד בתוך המברשת. אגא נקו אותה.
הרובוט אינו מתחבר לרשת ה-Wi-Fi	חיבור ה-Wi-Fi אינו עובד כשורה. אפסו את רשת ה-Wi-Fi והורידו את הגרסה האחרונה של יישום Dreamehome, לאחר מכן נסו להתחבר בשנית. הרשאת המיקום אינה פתוחה. נא וודאו איפשר הרשאת מיקום עבור Dreamehome מופעלת. אות רשת ה-Wi-Fi חלש. אגא וודאו כי הרובוט נמצא בשטח עם קליטה טובה של רשת ה-Wi-Fi. רשת ה-Wi-Fi בתדר 5Ghz לא נתמכת, נא וודאו חיבור הרובוט לרשת ה-Wi-Fi בתדר 2.4Ghz. שם המשתמש או הסיסמא של רשת ה-Wi-Fi אינם נכונים. נא וודאו כי שם המשתמש והסיסמא נכונים.
הרובוט אינו מבצע ניקיון מתוזמן	הסוללה חלשה. ניקיון מתוזמן לא יתחיל אלא אם כן נותרו לפחות 15% סוללה טעונה של הרובוט.

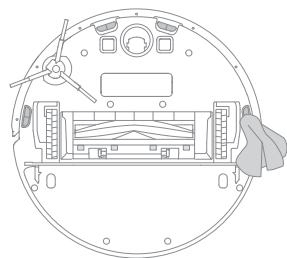
תחזוקה שגרתית

שימו'לב: נא השתמשו בסמרטוט יבש לצורך ניקוי, מכיוון שהרובוט וחלקים פנימיים בתחנת הטעינה מכילים רכיבים רגישים. אל תשתמשו בסמרטוט רטוב שלא ייגרמו נזקי מים.

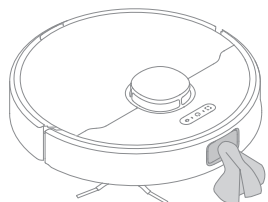
נקו את חיישן הלייזר LDS



ניקוי חיישן קצוות



לנקות את חיישן ויזואלי מבוסס AI



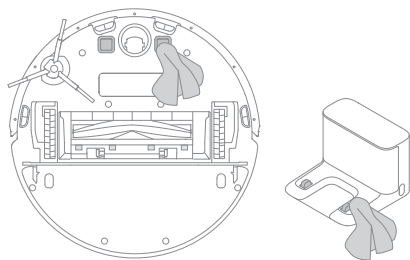
רובוט מחדש

אם הרובוט מפסיק להגיב או שלא ניתן לכבותו, לחץ והחזק את הכפתור ל למשך 10 שניות כדי לכבות אותו בכוח. לאחר מכן, לחץ והחזק את הכפתור ל למשך 3 שניות כדי להפעיל את הרובוט.

סוללה

הרובוט מכיל סוללת ליתיום-יון מובנית עם ביצועים גבוהים, נא וודאו שהיא נותרת טעונה בשימוש יום-יומי כדי לשמור על ביצועי סוללה מיטביים. אם הרובוט לא בשימוש לפרק זמן ממושך, כבו אותו ואחסנו אותו. על מנת למנוע נזק לסוללה בשל פריקת-יתר, יש לטעון את הרובוט לפחות פעם בשלושה חודשים.

ניקוי מגעי טעינה



מפרט טכני

רובוט

דגם	RLS6A
זמן טעינה	משוער. 6 שעות
מתח מדורג	14.4 V \approx
הספק מדורג	46 W
תדר הפעלה	2400-2483.5 MHz
הספק פלט מקסימלי	< 20 dBm

תחנת עגינה

דגם	RCS0
קלט מדורג	100-240 V~50/60 Hz 0.5 A
פלט מדורג	19.8 V \approx 1 A

בתנאי שימוש רגילים, יש לשמור על ביצועי זה מרחק סביר של 20 ס"מ לפחות בין האנטנה לגוף המשתמש.

סילוק והסרה של סוללות

סוללת הליתיום-יון המובנית מכילה חומרים מסוכנים לסביבה. לפני השלכת הסוללה, ודא שהסוללה מוסרת על ידי טכנאים מוסמכים ומושלכת במתקן מיחזור מתאים.

- יש להסיר את הסוללה מהמכשיר לפני שהיא נשרטת;
- יש לנתק את המכשיר מרשתות האספקה בעת הסרת הסוללה;
- יש להיפטר מהסוללה בבטחה.

זהירות:

- לפני הסרת הסוללה, נתקו את החשמל ואזלו הסוללה ככל האפשר.
- יש להשליך סוללות לא נחוצות במתקן מיחזור מתאים.
- אין לחשוף לסביבת טמפרטורה גבוהה כדי למנוע סיכוני פיצוץ.
- בתנאים פוגעניים, נוזל עשוי להיפלט מהסוללה. במקרה של מגע, יש לשטוף במים ולפנות לעזרה רפואית.

מדריך הסרה

- הפוך את השואב, השתמש בכלי מתאים כדי להסיר את הברגים בגב השואב, ולאחר מכן להסיר את המכסה.
- נתקו את ההדקים בין הסוללה ללוח PCB כדי להסיר את הסוללה.

שאלות ובעיות נפוצות

בעייה	פתרונות
האם השארת רובוט על תחנת העגינה צורכת חשמל אם הסוללה כבר טעונה?	השארת הרובוט בתחנת העגינה לאחר שהוא טעון במלואו צורכת כמות מזערית של חשמל ומסייעת לשמור על ביצועים אופטימליים של הסוללה.
מים לא יוצאים ממיכל המים או שיוצא רק קצת	וודאו כי מיכל המים מלא (ונקו את משטח הניגוב במידת הצורך). נקו את הסמרטוט במידה והתלכלך. אנא וודאו כי הסמרטוט מותקן כנדרש בהתאם למדריך למשתמש. נקו את חורי האוויר במכסה מיכל המים.
הרובוט אינו ממשיך לנקות לאחר טעינתו	אנא וודאו כי הרובוט אינו מכוון על מצב "נא לא להפריע", מה שימנע ממנו לחזור ולנקות. הרובוט אינו חוזר לנקות כאשר הוא מוטען באופן ידני או ממוקם על תחנת העגינה באופן ידני.
הרובוט אינו חוזר לתחנת העגינה לאחר שהועבר משם	שינוי מיקום הרובוט עשוי לגרום למיקום מחדש שלו, כישלון המיקום מחדש יגרום למיפוי מחדש של סביבתו. במידה והרובוט רחוק מדי מתחנת העגינה, יתכן ולא יוכל לחזור באופן אוטומטי בעצמו, במקרה כזה יש למקם את הרובוט באופן ידני על תחנת העגינה.

לקבלת שירותים נוספים, אנא צרו איתנו קשר באמצעות aftersales@dreame.tech
אתר אינטרנט: <https://global.dreametech.com>

معلومات السلامة

يرجى قراءة دليل المستخدم بعناية قبل استخدام الجهاز والاحتفاظ به للرجوع إليه في المستقبل، لتفادي حدوث صدمة كهربائية أو حريق أو إصابة ناجمة عن الاستخدام غير السليم للجهاز.

قيود الاستخدام

- يجب ألا يستخدم هذا المنتج الأطفال دون سن ٨ أعوام أو الأشخاص الذين يعانون من عيوب جسدية أو حسية أو فكرية أو خبرة أو معرفة محدودة من دون إشراف أحد الوالدين أو الوصي لضمان التشغيل الآمن وتجنب أي مخاطر. يجب ألا يعتمد الأطفال على التنظيف والصيانة دون إشراف.
- يجب ألا يلعب الأطفال بهذا المنتج. تأكد من بقاء الأطفال والحيوانات الأليفة على مسافة آمنة من الروبوت أثناء تشغيله.
- هذا المنتج مخصص لتنظيف الأرضيات في بيئة منزلية فقط. لا تستخدمه في الخارج أو على الأسطح غير الأرضية أو في بيئة تجارية أو صناعية.
- في حالة تلف سلك الطاقة أو تعطله، توقف عن استخدامه على الفور واتصل بخدمة ما بعد البيع.
- لا تستخدم الروبوت في منطقة معلقة فوق مستوى الأرض دون حاجز واقٍ.
- لا تضع الجهاز مقلوبًا، ولا تستخدم غطاء مستشعر LDS أو غطاء الجهاز أو ممتص الصدمات كمقبض للجهاز.
- لا تستخدم الروبوت عند درجة حرارة محيطية أعلى من ٤٠ درجة مئوية أو أقل من ٠ درجة مئوية أو على أرضية عليها سوائل أو مواد لاصقة.
- أبعاد أي كابلات من الأرضية قبل استخدام الروبوت لتجنب قيامه بسحبها أثناء التنظيف.
- قم بإزالة العناصر الهشة أو الصغيرة من الأرضية لمنع الروبوت من الاصطدام بها وتحطيمها.
- قبل تشغيل المكنسة قم بتنظيف المكان المراد تنظيفه من العناصر المتناثرة وترتيب كابلات وأسلاك الطاقة من المسار لمنع حدوث ضرر أو ضرر من السحب.
- أبق الشعر والأصابع وأعضاء الجسم الأخرى بعيدة عن فتحة الشفط الخاصة بالروبوت.
- احفظ أداة تنظيف الفرشاة بعيدة عن متناول الأطفال.
- لا تضع الأطفال أو الحيوانات الأليفة أو أي شيء على الروبوت بغض النظر عن كونه ثابت أو متحرك.
- لا تستخدم الروبوت لتنظيف أي أسطح مشتعلة. تجنب استخدام المكنسة لتنظيف السوائل القابلة للاشتعال أو الغازات المسببة للتآكل أو الأحماض أو المذيبات غير المخففة.

معلومات السلامة

قيود الاستخدام

- ال تقم بكنس الأجسام الصلبة أو الحادة. لا تستخدم المكنسة لتنظيف أشياء مثل الحجارة أو قطع الورق الكبيرة أو أي عنصر قد يسد المجرى.
- قبل التنظيف أو إجراء الصيانة، تأكد من إيقاف تشغيل الروبوت وفصل قاعدة الشحن من مأخذ الكهرباء.
- لا تستخدم قطعة قماش مبللة أو أي سائل للمسح وتنظيف المكنسة وقاعدة الشحن، يجب تجفيف الأجزاء القابلة للغسل تمامًا قبل تركيبها واستخدامها.
- تأكد من إيقاف تشغيل الروبوت عند نقله ثم ضعه في عبوته الأصلية إن أمكن.
- يرجى استخدام هذا المنتج وفقا للتعليمات الواردة في دليل المستخدم. يتحمل المستخدمون مسؤولية أي خسارة أو ضرر ناتج عن الاستخدام غير الصحيح لهذا المنتج.

SA

البطاريات والشحن

- لا تستخدم أي بطارية أو سلك طاقة أو قاعدة شحن خاصة بطرف ثالث. تستخدم فقط مع وحدة الإمداد RCSO.
- لا تحاول تفكيك البطارية أو قاعدة الشحن أو إصلاحهما أو تعديلهما بنفسك.
- لا تضع قاعدة الشحن بالقرب من مصدر الحرارة.
- لا تستخدم قطعة قماش مبللة أو يدين مبلتين لمسح أو تنظيف موصلات شحن قاعدة الشحن.
- لا تتخلص من البطاريات القديمة بشكل غير صحيح. يجب التخلص من البطاريات غير المطلوبة في مرفق إعادة التدوير المناسب.
- إذا لم يتم استخدام الروبوت لفترة طويلة، فقم بشحنه حتى يمتلئ بالشحن، ثم أطفئه واحفظه في مكان بارد وجاف. أعد شحن الروبوت مرة واحدة على الأقل كل 3 أشهر لتجنب التفريغ المفرط للبطارية.
- يحتوي هذا المنتج على بطاريات ال يمكن استبدالها إل من قبل فنيين مؤهلين أو خدمة ما بعد البيع.

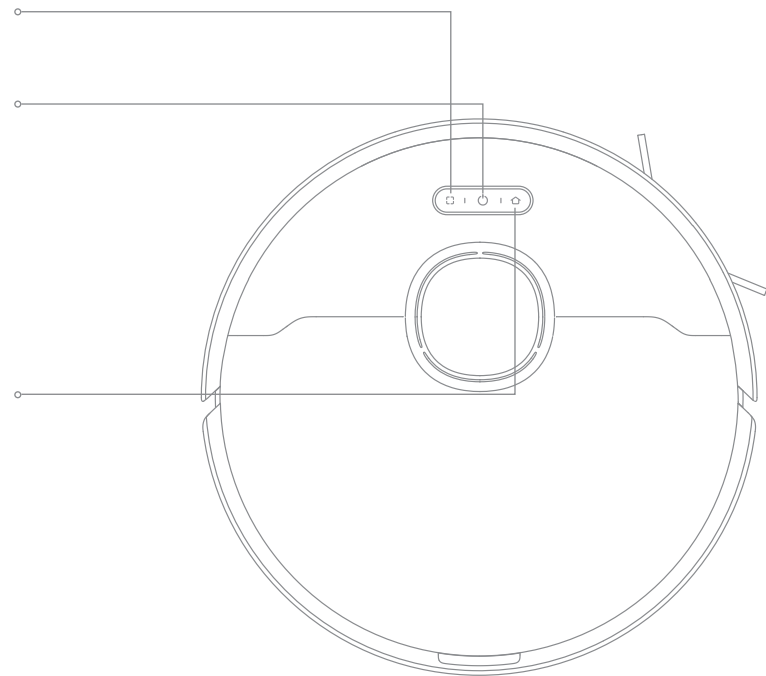
معلومات السلامة من الليزر

- مستشعر الليزر في هذا المنتج يفى بمعيار IEC 60825-1: 2014 لمنتجات الليزر من الفئة 1. يرجى تجنب التوجيه للعين مباشرة أثناء الاستخدام.

للحصول على دليل إلكتروني مفصل، يُرجى الانتقال إلى <https://global.dreametech.com/pages/user-manuals-and-faqs>

تعريف بالمنتج

الجهاز الرئيسي



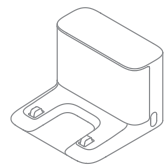
التنظيف الموضعي
• اضغط لفترة وجيزة لبدء تنظيف الموضعي

زر التشغيل/تنظيف
• اضغط باستمرار لمدة 3 ثوانٍ للتشغيل أو الإيقاف
• اضغط لفترة وجيزة لبدء التنظيف بعد التشغيل

مفتاح القاعدة
• اضغط قصيرا لتشغيل وضعية الشحن
• اضغط مع الاستمرار لمدة 3 ثوانٍ لأغلاق وظيفة قفل الطفل
مؤشر الحالة
• الضوء الأبيض: جاري التنظيف أو اكتمل التنظيف
• وميض برتقالي: حالة خلل
• أزرق: تمكين رصد الكاميرا

تعريف بالمنتج

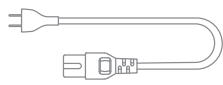
قائمة الملحقات



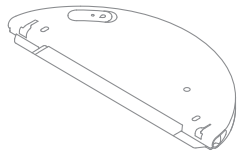
مقعد الشحن



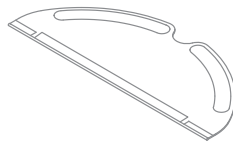
أداة التنظيف



سلك الطاقة



خزان المياه



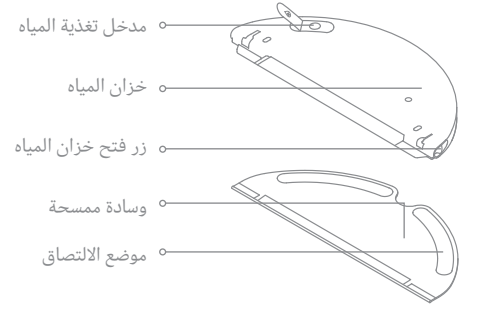
وسادة ممسحة



الفرشاة الجانبية

تعريف بالمنتج

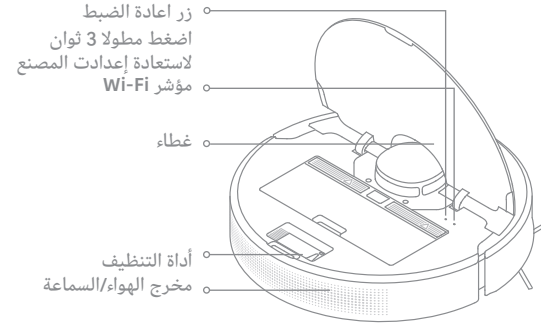
وحدة الممسحات



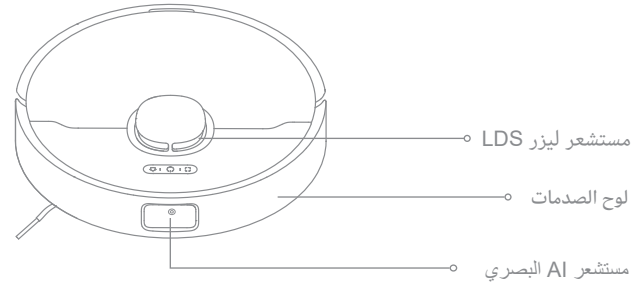
SA

تعريف بالمنتج

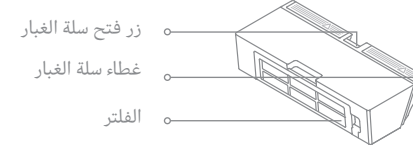
الجهاز الرئيسي



مستشعر الجهاز الرئيسي



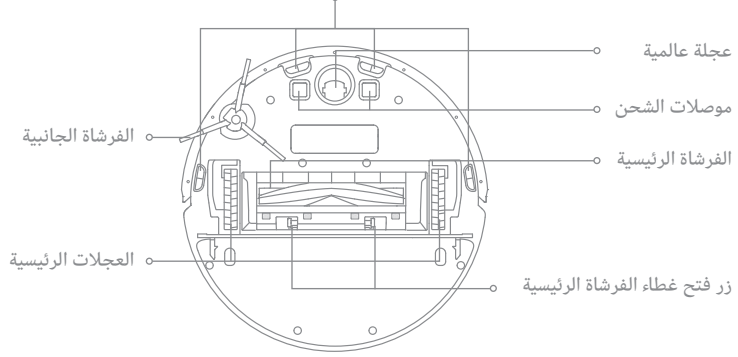
سلة الغبار



مقعد الشحن

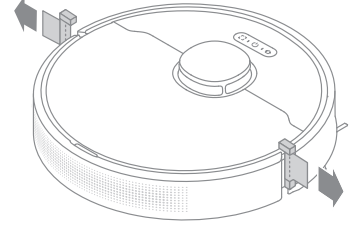


مستشعر الجرف

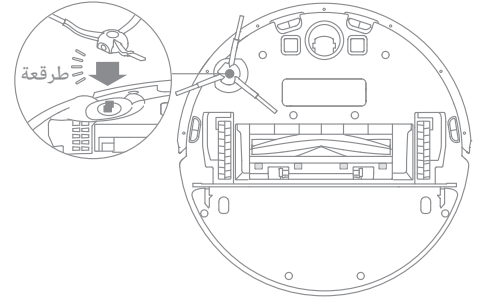


قبل الاستخدام

1. قم بإزالة الشرائط الواقية



2. ركب الفرشاة الجانبية

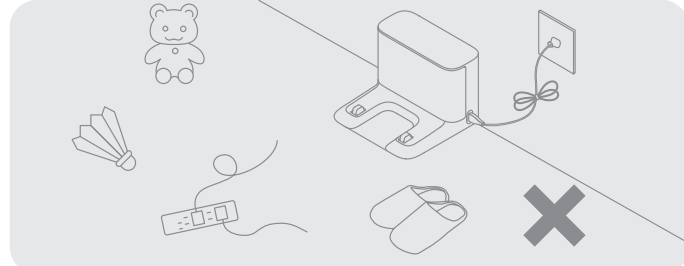


ملاحظة: قم بتثبيت الفرشاة الجانبية حتى تستقر في مكانها.

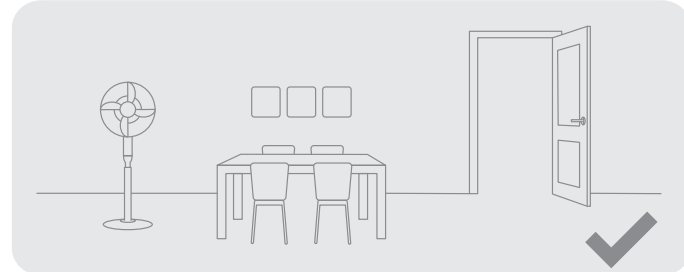
3. تجهيز قاعدة الشحن

قم بلصق الشريط على الوجهين بالجزء السفلي من قاعدة الشحن، ثم ضع قاعدة الشحن على أرضية مستوية بجانب الحائط و قم بتوصيلها بمصدر الطاقة.

اعداد منزلك



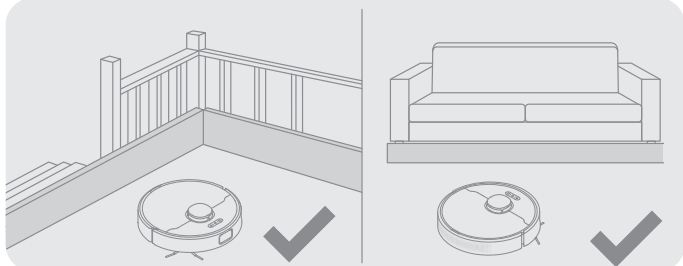
لتحسين كفاءة عمل المكنسة يرجى ترتيب العناصر مثل أسلاك الطاقة ، والملابس ، والنعال ، والألعاب ،



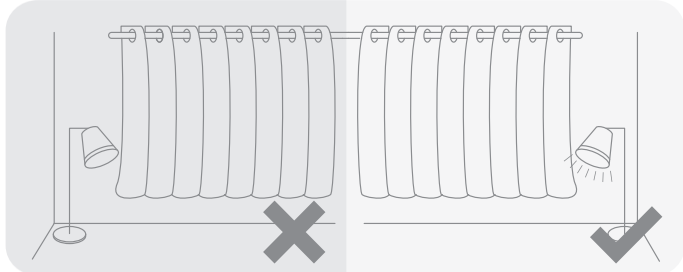
افتح باب الغرفة المراد تنظيفها، ثم ضع الأثاث في مكان مناسب لتوفير أكبر مساحة للتنظيف.

ملاحظة:

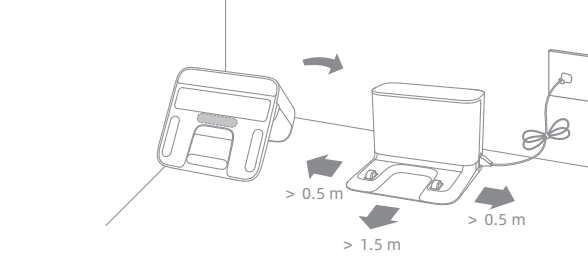
• عند تشغيل المكنسة لأول مرة، اتبعه أثناء التنظيف لإزالة أي عوائق محتملة في الوقت المناسب.
• يرجى تجنب الوقوف أمام الجهاز الرئيسي، عند العتبة والممرات الضيقة، حتى يستطيع الجهاز الرئيسي من التعرف على المنطقة المراد تنظيفها.



قبل التنظيف يرجى استعمال حاجز مادي لتجنب المعلقة او المناطق المنخفضة.



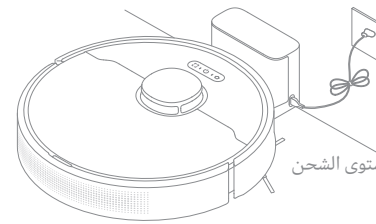
يمكن للجهاز التعرف على العقبات وتجنبها بشكل أفضل مثل أسلاك الطاقة والأحذية والجوارب باستخدام مستشعر AI البصري، ولتحقيق أقصى استفادة من مستشعر AI البصري ، تأكد من أن جميع المناطق المراد تنظيفها جاهزة ومضاءة.



ملاحظة:

• تأكد من وجود مسافة 0.5 متر أو أكثر على جانبي مقعد الشحن، وأكثر من 1.5 متر أمامها.
• استخدم التجربة للحصول على أفضل زبائن هاتف المحمول، يرجى وضع مقعد الشحن في نطاق تغطية WIFI.
• لا تضع مقعد الشحن في ضوء الشمس المباشر أو تغطي منطقة التعرف على مقعد الشحن بأي مادة.
• الشريط اللاصق ذو الوجهين يمكن استخدامه حسب حاجتك.
• قم بتنظيف منطقة وضع قاعدة الشحن باستخدام قطعة قماش نظيفة أولاً.
• ينصح بنزع الشريط اللاصق ببطء عند إزالته لتقليل البقايا عن الضرورة.

4. سيتم تشغيل الجهاز الرئيسي تلقائياً وبدء الشحن، بعد وضعه على مقعد الشحن



⚠ لون ضوء مؤشر مصدر الكهرباء يعبر عن مستوى الشحن
• اللون الأبيض < 15%
• اللون البرتقالي ≥ 15%

ملاحظة:

• يرجى الشحن الكامل قبل اول استخدام.
• عند الشحن لا يوصى بتركيب وحدة الممسحة لمنع الممسحة الرطبة من إتلاف الأرضية.

كيفية الاستخدام

1. رسم الخرائط السريع

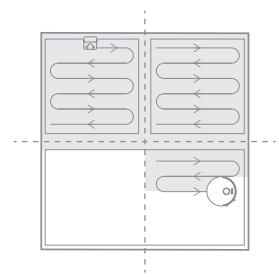
بعد أعداد الشبكة لأول مرة ، اتبع التعليمات الموجودة على التطبيق لإنشاء خريطة بسرعة ، وستبدأ المكنسة في رسم الخرائط دون تنظيف. ستكتمل عملية التعيين عندما تعود المكنسة إلى قاعدة الشحن، وسيتم حفظ الخريطة تلقائياً.

2. التشغيل/الإيقاف

اضغط مع الاستمرار على الزر (L) لمدة 3 ثوانٍ لتشغيل المكنسة، وسيظهر مؤشر مصدر الطاقة بشكل دائم. ضع المكنسة على قاعدة الشحن ، وسيبدأ العمل والشحن تلقائياً، لإيقاف تشغيل المكنسة، قم بتحريكها بعيداً عن القاعدة واضغط باستمرار على الزر (L) لمدة 3 ثوانٍ.

3. بدء التنظيف

اضغط على الزر (L) لفترة وجيزة لبدء التنظيف بعد تشغيل المكنسة. بعدها ستقوم المكنسة برسم مسار دقيق، وستنظف بشكل منهجي على طول الحواف والجدران ، ثم تنهي بتنظيف كل غرفة على شكل حرف S لضمان عمل شامل.



ملاحظة: قبل مهمة التنظيف تأكد من أن المكنسة تبدأ من قاعدة الشحن. تجنب تحريك قاعدة الشحن أثناء قيام المكنسة بالتنظيف.

4. وقوف / غفوة

عندما تكون المكنسة قيد التشغيل ، اضغط على أي مفتاح لإيقافه مؤقتاً. إذا تم إيقاف المكنسة مؤقتاً لأكثر من 10 دقائق، سوف تدخل تلقائياً في وضع السكون. وسيتم إيقاف تشغيل جميع المؤشرات الموجودة على المكنسة. اضغط على أي زر في المكنسة أو استخدم التطبيق لإيقاف المكنسة.

ملاحظة:

- في حالة عدم الشحن، سيتم إيقاف التشغيل تلقائياً عندما يتجاوز وقت السكون 12 ساعة.
- سيتهي مهمة التنظيف الحالية عند وضع الجهاز الرئيسي على مقعد الشحن أثناء الإيقاف المؤقت.

5. وضع عدم الإزعاج (DND)

عندما يتم ضبط المكنسة على وضع عدم الإزعاج (DND) ، سيتم منع المكنسة من استئناف التنظيف وينطفئ مؤشر الطاقة. يتم تعطيل وضع DND افتراضياً في المصنع. يمكنك استخدام التطبيق لتشغيل وضع DND أو تعديل فترة DND. فترة DND هي 8:00-22:00 افتراضياً.

ملاحظة:

- سيتم تنفيذ مهام التنظيف المجدولة في الوقت المحدد خلال فترة DND.
- سيستأنف المكنسة التنظيف من حيث توقف بعد انتهاء فترة DND.

6. تنظيف موضعي

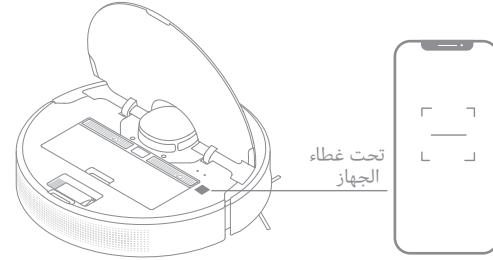
عندما تكون المكنسة في وضع الاستعداد ، اضغط قصيراً على مفتاح (L) لتشغيل وضع تنظيف البقع. في هذا الوضع ، تقوم المكنسة بتنظيف منطقة مربعة الشكل بمساحة 1.5 × 1.5 متر حولها وتعود إلى نقطة البداية بمجرد اكتمال تنظيف البقع.

اتصل مع Dreamehome تطبيق

يعمل هذا المنتج مع تطبيق Dreamehome ، والذي يمكن استخدامه للتحكم في جهازك.

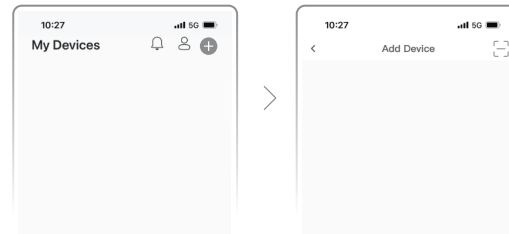
1. قم بتنزيل Dreamehome

امسح رمز الكود المرفق على المكنسة ، أو ابحث عن "Dreamehome" في متجر التطبيقات لتنزيل التطبيق وتثبيتها بناءً على احتياجاتك.



2. أضف الجهاز

افتح واجهة تطبيق Dreamehome، وانقر على علامة "+" في الزاوية العلوية اليمنى، ثم امسح رمز الكود أعلاه صوتياً مرة أخرى لإضافة "DreameBot D10s Pro". يرجى اتباع التعليمات لإنهاء الاتصال بـ Wi-Fi.

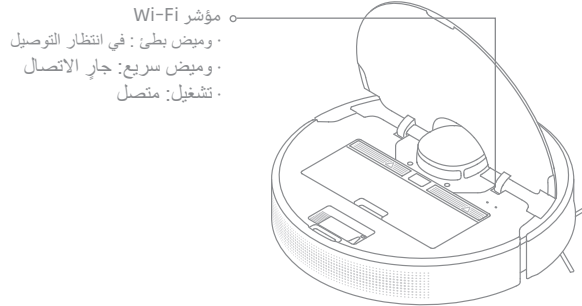


ملاحظة:

- يدعم اتصال Wi-Fi اللاسلكي فقط الشبكات في نطاق التردد 2.4 جيجا هرتز.
- نظراً لترقية برنامج التطبيق، وقد تختلف العمليات الفعلية عن البيانات الواردة في هذا الدليل. يرجى اتباع الإرشادات بناءً على إصدار التطبيق الحالي.

3. إعادة ضبط Wi-Fi

افتح الغطاء العلوي للكشف عن مؤشر Wi-Fi، واضغط مطولاً على (L) المفتاح و (H) واستمر بالضغط في نفس الوقت حتى تظهر رسالة صوتية "وانتظر تكوين الشبكة"، انتظر حتى يبدأ ضوء مؤشر Wi-Fi في الوميض ببطء مشيراً إلى أن الجهاز الرئيسي دخل في وضع تكوين الشبكة.



ملاحظة: عندما يتعذر على الهاتف المحمول الاتصال بالجهاز الرئيسي، يمكنك إعادة إضافة الجهاز بعد إعادة تعيين Wi-Fi والدخول في وضع تكوين الشبكة.

الصيانة الروتينية

صيانة الأجزاء
الحفاظ على المكتسة في حالة جيدة ، يوصى بالرجوع إلى الجدول التالي للصيانة الروتينية.

الاجزاء	تردد الصيانة	تردد الصيانة
وسادة ممسحة	يصح بالتنظيف بعد كل استخدام	من 3 الى 6 أشهر
الفرشاة الرئيسية	التنظيف مرة واحدة كل أسبوعين	من 6 الى 12 شهر
فلتر (صندوق الغبار)		من 3 الى 6 أشهر
الفرشاة الجانبية	التنظيف مرة واحدة كل 1 أشهر	منطقة إشارات رصيف الشحن
موصلات الشحن		
عجلة عالمية		
مستشعر ليزر LDS		
مستشعر AI البصري		
مستشعر الجرف		
خزان المياه		التنظيف حسب الحاجة
سلة الغبار		

ملاحظة: يعتمد تكرار الاستبدال على الوضع الفعلي واستخدامك للمكتسة، وفي حال حدوث عطل لظروف خاصة، يجب استبدال الأجزاء.

كيفية الاستخدام

7. التنظيف المجدول زمنيا

استخدم تطبيق Dreamehome لضبط وقت التنظيف، وسيبدأ الجهاز الرئيسي تلقائيا في التنظيف في الوقت المحدد، ويعود تلقائيا إلى قاعدة الشحن للشحن بعد اكتمال التنظيف.

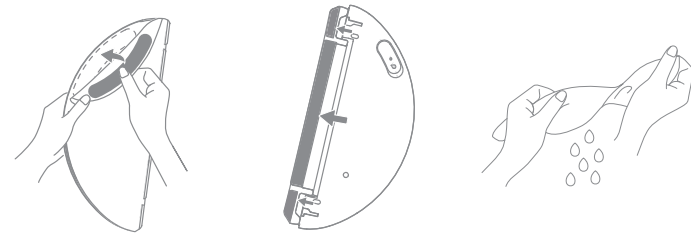
8. المزيد من وظائف التطبيق

اتبع التعليمات الواردة على شاشة التطبيق لاستخدام المزيد من الوظائف. لقد تم تحديث إصدار التطبيق قد تضاف بعض التعديلات الطفيفة، يرجى اتباع التعليمات بناءً على إصدار التطبيق الحالي.

9. استخدام وظيفة المسح

من أجل تحقيق تأثير مسح أفضل، عند الاستخدام الاولي يوصى باستخدام وظيفة المسح بعد التنظيف 3 مرات.

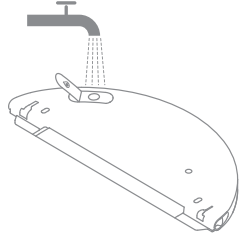
1) بلل وسادة الممسحة واعصر الماء الزائد جيدا. قم بتثبيت وسادة الممسحة كما هو موضح في الرسم التخطيطي.



ملاحظة:

- لا ينصح باستخدام خاصية المسح على السجاد.
- استخدم التطبيق لضبط تدفق الماء حسب الحاجة.

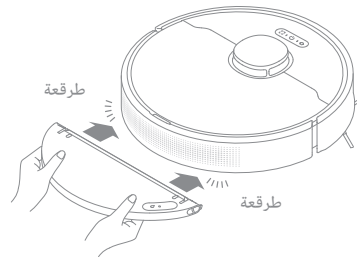
2) املاً الخزان بالماء.



ملاحظة:

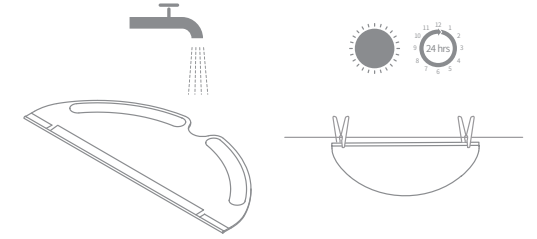
- تجنب استخدام المنظفات أو المطهرات.
- لا تقم بملئ خزان المياه بالماء الساخن، فقد يتسبب في تشويه جسم خزان المياه.

3) ادفع خزان المياه بشكل متوازٍ على طول الجزء الخلفي للجهاز الرئيسي، يشير سماع صوت "طرقعة" إلى أن التثبيت في مكانه، اضغط قصيرا (⏏) على الزر أو استخدم تطبيق Dreamehome للبدء.



الصيانة الروتينية

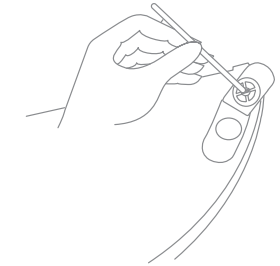
3. قم بشطف وسادة الممسحة بالماء فقط واتركها تجف في الهواء قبل تركيبها.



ملاحظة:

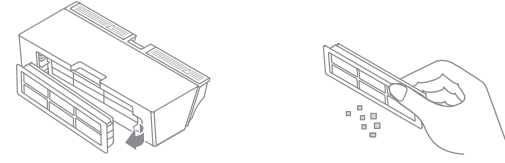
تأكد من إزالة الممسحة وتنظيفها بعد الاستخدام لمنع مياه الغير نظيفة من التدفق مرة أخرى وسد مخرج المياه.

4. في حالة حدوث تدفق بطيء للمياه، أو لم يتم توزيع الحجم بشكل جيد، يرجى تنظيف فتحة الهواء الموجودة في غطاء خزان المياه.



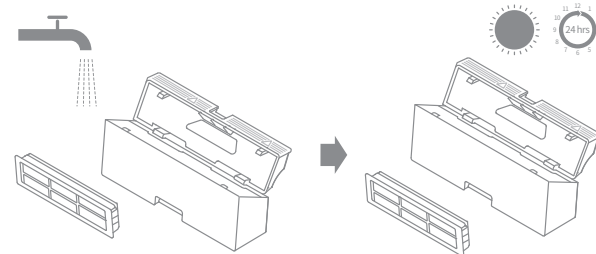
الصيانة الروتينية

3. قم بإزالة الفلتر واضغط على السلة برفق.



ملاحظة: لا تحاول تنظيف الفلتر بفرشاة أو إصبع أو أشياء حادة لمنع تلفه.

4. اشطف سلة الغبار والفلتر بالماء وجففها تمامًا قبل إعادة التثبيت.

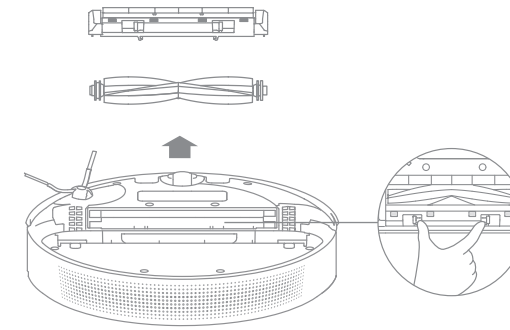


ملاحظة:

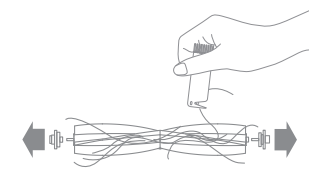
· اشطف سلة الغبار والفلتر بالماء النظيف فقط ولا تستخدم أي منظفات.
· يرجى التأكد من التجفيف قبل الاستخدام.

تنظيف الفرشاة الرئيسية

1. اضغط على مشابك واقي الفرشاة للداخل لإزالة واقي الفرشاة ورفع الفرشاة خارجًا للمكنسة.



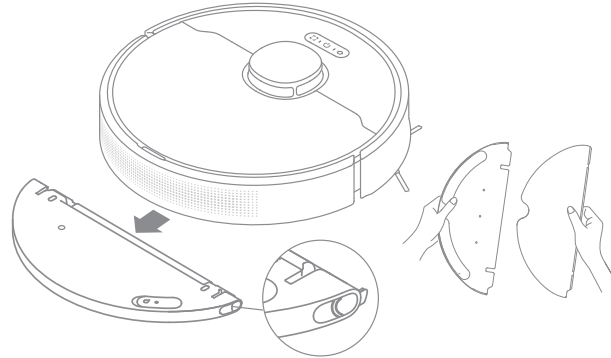
2. اسحب أغطية الفرشاة كما هو موضح في الرسم التخطيطي. استخدم أداة التنظيف المتوفرة لإزالة الشعر المتشابك في الفرشاة.



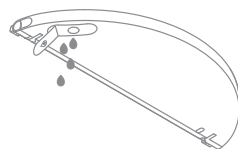
ملاحظة: لا تسحب الشعر بقوة كبيرة لتجنب تلف الفرشاة عندما يكون الشعر متشابكًا بإحكام على الفرشاة.

تنظيف وحدة المسح

1. حرك مشبكي التثبيت الموجودين على جانب خزان المياه لإزالة وحدة المسح، ثم اسحب وسادة الممسحة من وحدة المسح.



2. أفرغ المياه المتبقية داخل خزان المياه. نظفه بالماء فقط ثم دعه يجف بشكل طبيعي قبل إعادة التركيب.



ملاحظة: لا تعرض الخزان لأشعة الشمس مباشرة.

SA

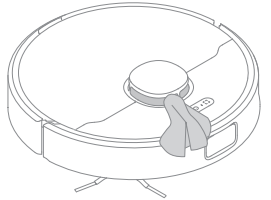
183

182

الصيانة الروتينية

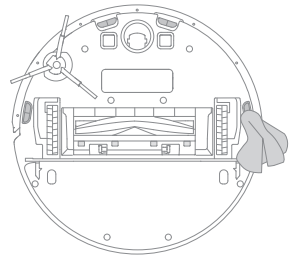
ملاحظة: يحتوي الجهاز الرئيسي وقاعدة الشحن على مكونات إلكترونية حساسة، يرجى استخدام قطعة قماش جافة عند التنظيف. لا تستخدم قطعة قماش مبللة لمنع التلف.

تنظيف مستشعر الليزر LDS

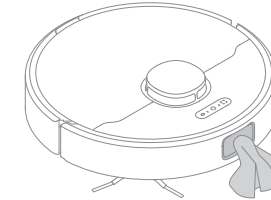


SA

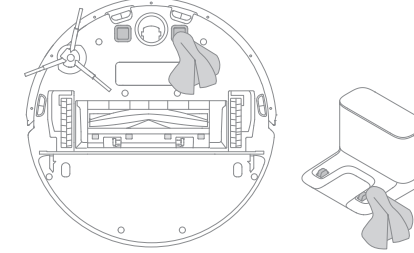
تنظيف مستشعر المنحدرات



نظف مستشعر AI البصري



تنظيف موصلات الشحن



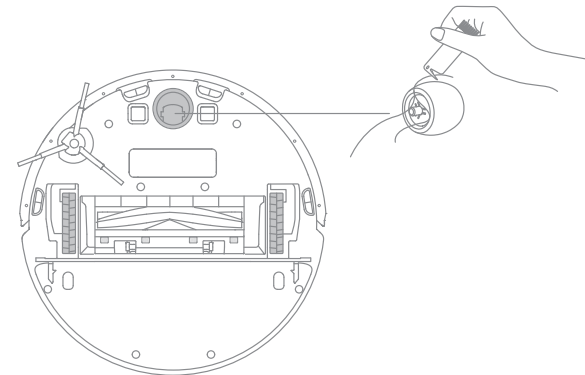
الصيانة الروتينية

تنظيف الفرشاة الجانبية

اسحب الفرشاة الجانبية واستخدم أداة التنظيف المرفقة لإزالة أي شعر متشابك في الفرشاة.



تنظيف العجلة الرئيسية وعجلة الدوران الحر



ملاحظة: استخدم أداة مثل مفك براغي صغير لفصل محور العجلة العامة وإطاراتها.

إعادة تشغيل المكنسة

إذا توقفت المكنسة عن الاستجابة أو تعذر إيقاف تشغيلها ، فاضغط مع الاستمرار على المفتاح  لمدة 10 ثوانٍ لإيقاف تشغيلها بالقوة. ثم اضغط مع الاستمرار على المفتاح  لمدة 3 ثوانٍ لتشغيل المكنسة.

البطارية

يحتوي الجهاز الرئيسي على حزمة بطارية ليثيوم أيون عالية الأداء. يرجى التأكد من أنها تظل مشحونة بشكل جيد أثناء الاستخدام اليومي للحفاظ على الأداء الأمثل للبطارية. إذا لم يتم استخدام الجهاز الرئيسي لفترة طويلة، فقم بإيقاف تشغيله ووضعه جانبًا. لمنع التلف الناتج عن التفريغ الزائد، يجب إعادة شحن الجهاز الرئيسي مرة واحدة على الأقل كل ثلاثة أشهر.

الأسئلة الشائعة

المشاكل	الحلول
هل وجود الجهاز في مقعد الشحن بشكل دائم يستهلك الكهرباء	يكون استهلاك الكهرباء منخفضا عندما يكون الجهاز الرئيسي في قاعدة الشحن بشكل دائم، مما يحافظ على إبقاء البطارية في أفضل أداء لها.
عدم خروج الماء من خزان المياه، أو يخرج بكمية قليلة	تأكد من اذا كان بالخزان بعض المياه ونظف وسادة الممسحة إذا لزم الأمر. نظف الممسحة إذا أصبحت متسخة. يرجى تركيب الممسحة بشكل صحيح حسب التعليمات. يرجى تنظيف فتحة الهواء العائد بأعلى غطاء خزان المياه في الوقت المناسب.
لن يستمر التنظيف عند نقص البطارية وإعادة الشحن	يرجى التأكد من أن الجهاز الرئيسي ليس في وضع عدم الإزعاج،التنظيف لن يستمر في هذا الوضع. لا يستأنف الجهاز الرئيسي التنظيف عند شحنه يدوياً أو وضعه في مقعد الشحن يدوياً.
لا يمكن العودة إلى مقعد الشحن بعد تحريك الموضع	قد يؤدي تحريك الجهاز اترئيسي إلى إعادة تموضعه ذاتياً أو إعادة تعيين موقعه إذا كان الجهاز اترئيسي بعيدا عن قاعدة الشحن، فقد لا يتمكن من العودة تلقائياً من تلقاء نفسه، وفي هذه الحالة، تحتاج إلى وضع الجهاز اترئيسي يدوياً على قاعدة الشحن.

للحصول على المزيد من الخدمات، يرجى الاتصال بنا عبر aftersales@dreame.tech الموقع: <https://global.dreametech.com>

الأسئلة الشائعة

المشاكل	الحلول
لا يمكن تشغيل الجهاز	مستوى البطارية منخفض. أعد شحن الجهاز الرئيسي في مقعد الشحن، ثم أعد المحاولة. درجة حرارة البطارية منخفضة جداً أو مرتفعة جداً، ويوصى بتشغيل المكنسة عند درجة حرارة بين 0 درجة مئوية و 40 درجة مئوية.
لا يمكن الشحن	قاعدة الشحن غير متصلة بالطاقة، يرجى التأكد من توصيل طرفي سلك مصدر قاعدة الشحن بالمصدر. توصيل رديء، قم بنظف موصلات الشحن الخاصة بقاعدة الشحن و الجهاز الرئيسي.
الجهاز الرئيسي لا يعود إلى مقعد الشحن	هناك الكثير من العوائق حول مقعد الشحن. ضع قاعدة الشحن في منطقة أكثر اتساعاً. يرجى تنظيف منطقة الإشارة الخاصة بمقعد الشحن.
الجهاز الرئيسي لا يعمل بشكل سليم	أوقف تشغيل الجهاز الرئيسي ثم أعد تشغيله.
يوجد ضوضاء غير طبيعية أثناء التنظيف	قد يعلق جسم غريب في الفرشاة الرئيسية أو الفرشاة الجانبية أو إحدى العجلات الرئيسية. أوقف الجهاز الرئيسي وقم بالفحص.
انخفاض كفاءة التنظيف أو يتساقط الغبار	سلة الغبار ممتلئة. الرجاء تنظيفها. الفلتر مسدود الرجاء تنظيفه. هناك جسم غريب عالق في الفرشاة الرئيسية. يُرجى تنظيفها.
لا يمكن الاتصال بشبكة Wi-Fi	اتصال Wi-Fi غير طبيعي، قم بإعادة ضبط Wi-Fi وتنزيل تطبيق Dreamehome ومحاولة الاتصال مرة أخرى. لم تفتح صلاحية تحديد الموقع، يرجى التأكد من أن تطبيق Dreamehome قد فتح صلاحية تحديد الموقع. إشارة Wi-Fi ليست جيدة، يرجى التأكد من أن الجهاز الرئيسي يقع في نطاق إشارة الـ Wi-Fi الجيدة. الجهاز الرئيسي لا يدعم شبكة Wi-Fi بسرعة 5 جيجاهرتز، يرجى التأكد من اتصال الجهاز الرئيسي بشبكة Wi-Fi بسرعة 2.4 جيجاهرتز. اسم مستخدم أو كلمة مرور Wi-Fi المنزلي غير صحيحة. الرجاء إدخال اسم مستخدم Wi-Fi وكلمة المرور بالشكل الصحيح.
لا يقوم الجهاز الرئيسي بالتنظيف المجدول	البطارية منخفضة في الجهاز الرئيسي. لن يبدأ التنظيف المجدول ما لم يكن مستوى بطارية الجهاز الرئيسي 15% على الأقل.

المواصفات

الجهاز الرئيسي

رقم الطراز	RLS6A
مدة الشحن	6 ساعات تقريباً
الجهد المقدر	14.4 V ===
الطاقة المقدرة	46 W
تردد العملية	2400-2483.5 MHz
طاقة الإخراج القصوى	< 20 dBm

مقعد الشحن

رقم الطراز	RCS0
الإدخال المقدر	100-240 V~50/60 Hz 0.5 A
الإخراج المقدر	19.8 V === 1 A

التخلص من البطارية وتفكيكها

تحتوي بطارية الليثيوم أيون المدمجة على مواد مضرّة بالبيئة. قبل التخلص من البطارية، تأكد من تفكيك البطارية بواسطة فنيين مؤهلين والتخلص منها في منشأة إعادة تدوير مناسبة.

- يجب إزالة البطارية من الجهاز قبل التخلص من الجهاز
- يجب فصل الجهاز عن التيار الكهربائي عند إزالة البطارية
- يتطلب التخلص من البطارية بأمان.

تنبيه:

- قبل تفكيك البطارية، يرجى فصلها عن الطاقة وإفراغها قدر الإمكان.
- يجب التخلص من البطاريات غير الضرورية في منشأة إعادة تدوير مناسبة.
- لا تعرض البطارية لدرجة حرارة عالية لتجنب مخاطر الانفجار.
- في حالة حدوث تسرب للبطارية ولاستها عن طريق الخطأ، يرجى شطفها بكمية كبيرة من الماء وطلب امساعدة الطيبة على الفور.

ليل التفكيك

1. قم بقلب المكنسة، واستخدم الأداة المناسبة لإزالة البراغي الموجودة على الجزء الخلفي، ثم قم بإزالة الغطاء.
2. أفضل الطرف الذي يربط بين البطارية واللوحة الأم وأخرج البطارية.

أثناء الاستخدام العادي، يجب إبقاء هذا الجهاز على مسافة لا تقل عن 20 سم بين الهوائي وجسم المستخدم.