

# Dreame Cordless Vacuum Cleaner User Manual

For further information, please go to [www.dreame.tech](http://www.dreame.tech)  
Manufactured by: Dreame Technology (Tianjin) Limited



Made in China

VFW5-EU-R00

dreame

Dreame Cordless Vacuum Cleaner User Manual .....	01
Merci d'avoir choisi L'aspirateur Sans Fil Dreame .....	17
Dreame Bedienungsanleitung für kabellosenStaubsauger .....	33
Приятного пользования! Беспроводной пылесос Dreame .....	49
Benvenuto in Dreame - aspirapolvere senza fili .....	65
Manual de usuario de la aspiradora inalámbrica Dreame .....	81
שואב אבק נטען Dreame מדריך למשתמש .....	97
ترحيب المستخدمين Dreame مكنسة كهربائية لاسلكية .....	115

# Safety Instructions

To prevent accidents including electric shock or fire caused by improper use, please read this manual carefully before use and retain it for future reference.

## Warning

This product can be used by children aged from 8 years and above and persons with physical, sensory, intellectual deficiencies, or limited experience or knowledge under the supervision of a parent or guardian to ensure safe operation and to avoid any risk of hazards. Cleaning and maintenance shall not be made by children without supervision.

The vacuum is not a toy. Children shall not play with or operate this product. Please exercise caution when using the vacuum near children. Do not allow children to clean or maintain the vacuum unless supervised by a parent or guardian.

Do not use the vacuum outdoors or on wet surfaces. Only use the vacuum on dry indoor surfaces. Do not touch the plug or any part of the vacuum with wet hands.

To reduce the risk of fire, explosion, or injury, check to make sure the lithium battery and charging adapter are undamaged before use. Do not use the vacuum if either the lithium battery or charger is damaged.

The soft roller brushbar, battery, metal connector pin, and vacuum are electrically conductive and should not be immersed in water or other liquid. Make sure to dry all filters after cleaning.

To prevent injury caused by moving parts, turn off the vacuum before cleaning the soft roller brushbar. The soft roller brushbar, dust compartment, and filter must all be properly installed before using the vacuum.

Only use the original charging adapter. Never use an unoriginal adapter, as this may cause the lithium battery to catch fire.

Do not use the vacuum to pick up flammable or combustible liquids, such as gasoline, or bleach, ammonia, drain cleaners or other liquids.

Do not use the vacuum to pick up drywall particles, ashes like fireplace ash, or smoking or burning materials such as coal, cigarette butts or matches.

Do not use the vacuum to pick up sharp or hard objects, such as glass, nails, screws, or coins, which may damage the machine.

Keep hair, loose clothing, fingers and other parts of the body away from the vacuum's openings and moving parts. Do not point the hose, wand or tools at your eyes or ears or put them in your mouth.

Do not put any object into the vacuum's openings. Do not use the vacuum with any opening blocked. Keep free of dust, lint, hair, or other items which may reduce airflow.

Do not rest the vacuum against a chair, table, or other unstable surface, as this may cause damage to the machine or personal injury. If the vacuum becomes damaged from being knocked over or is otherwise malfunctioning, please contact our authorized service department. Never attempt to disassemble the device on your own.

All instructions in the manual for recharging the battery must be strictly followed. Failure to properly charge the battery within the specified temperature range could damage the battery.

Only use accessories and replacement parts that are approved by Dreame.

Do not use the vacuum without the clear dust compartment and filter in place.

Make sure the vacuum is unplugged when not used for extended periods as well as prior to performing any maintenance or repairs.

Please be extra careful when using the vacuum to clean stairs.

Do not install, charge, or use this product outdoors, in bathrooms, or around a pool.

Fire Hazard Warning: Do not apply any type of fragrance to the vacuum's filter. These types of products are known to contain flammable chemicals which may cause the vacuum to catch fire.

This product is designed for home use only.

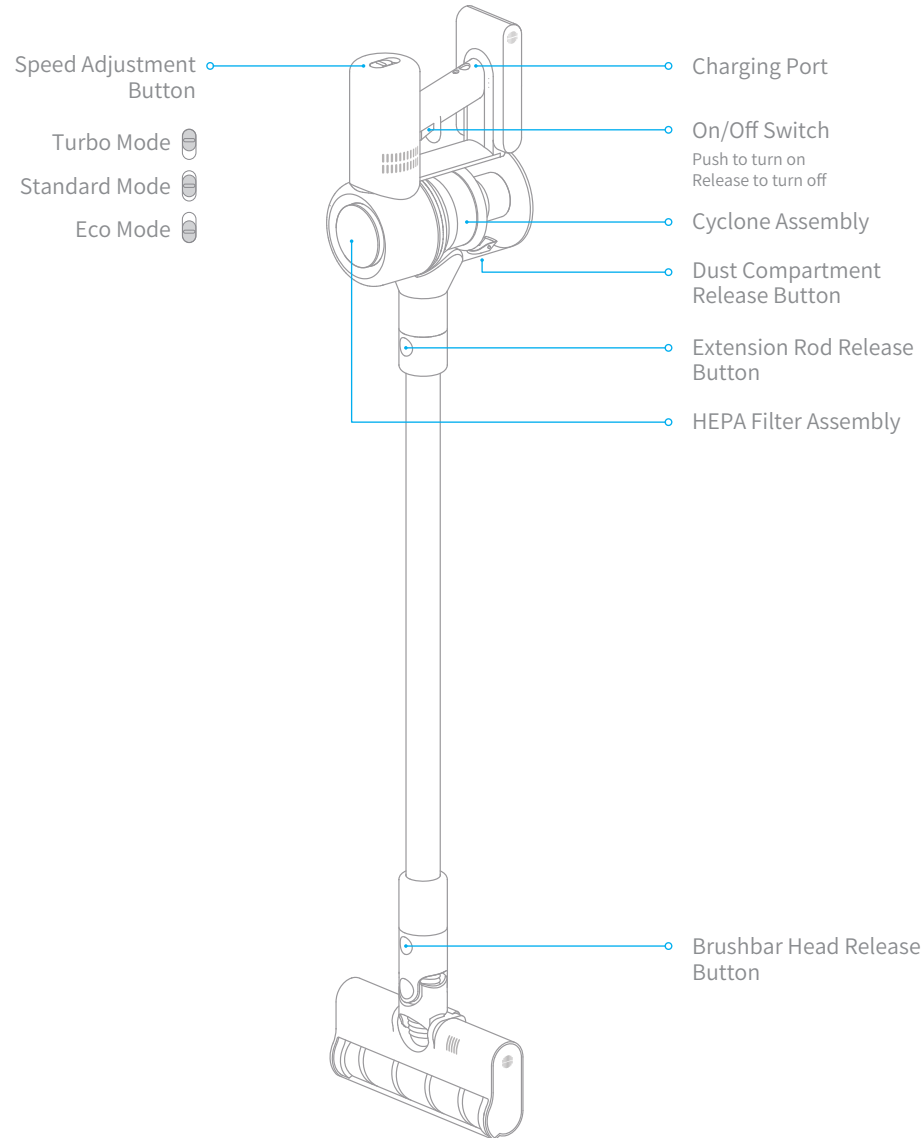
We Dreame Technology (Tianjin) Limited, hereby, declares that this equipment is in compliance with the applicable Directives and European Norms, and amendments. The full text of the EU declaration of conformity is available at the following internet address: [www.dreame.tech](http://www.dreame.tech)



means detachable supply unit

# Product Overview

## Part Names

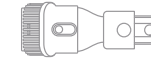


# Product Overview

## Accessories



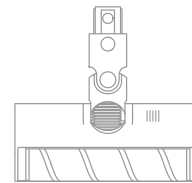
2-in-1 Crevice Nozzle



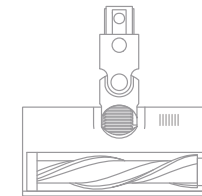
2-in-1 Brush Nozzle



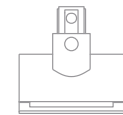
Stretch Soft Hose



Soft Roller Nozzle



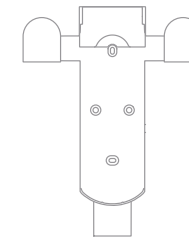
Carpet Roller



Mini-Motorized Nozzle



Extension Rod



2-in-1 Charging & Storage Mount  
(including screws ×2, wall plugs ×2)

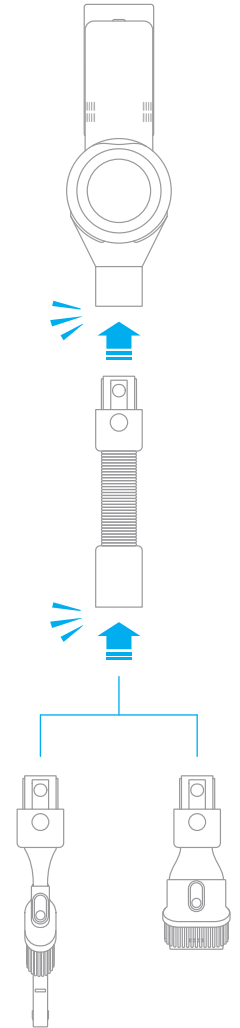
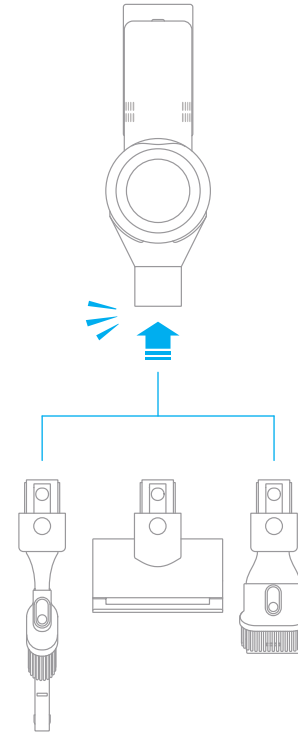
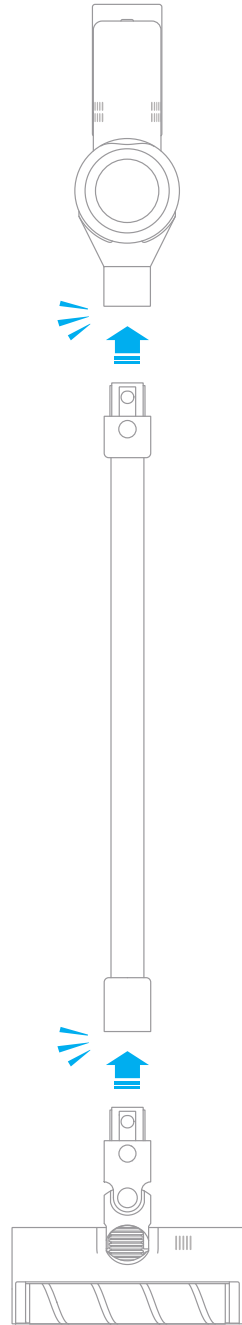


Power Adapter

# Installation

## Vacuum and Accessories Installation Diagram

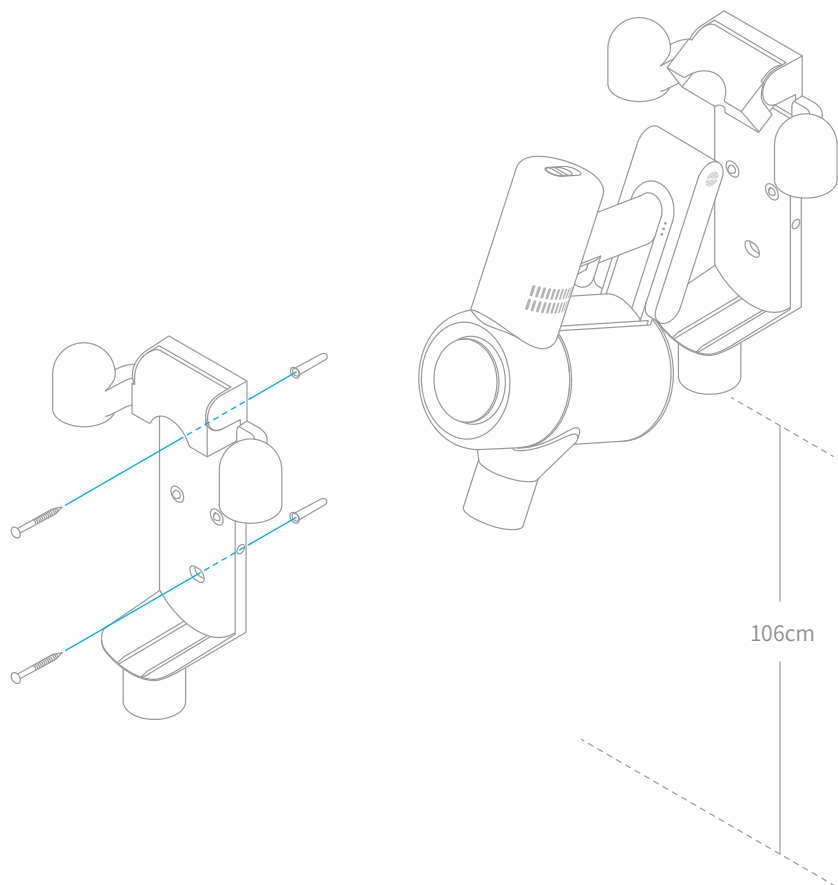
 Insert till it clicks into place



# Installation

## Installing the 2-in-1 Charging & Storage Mount

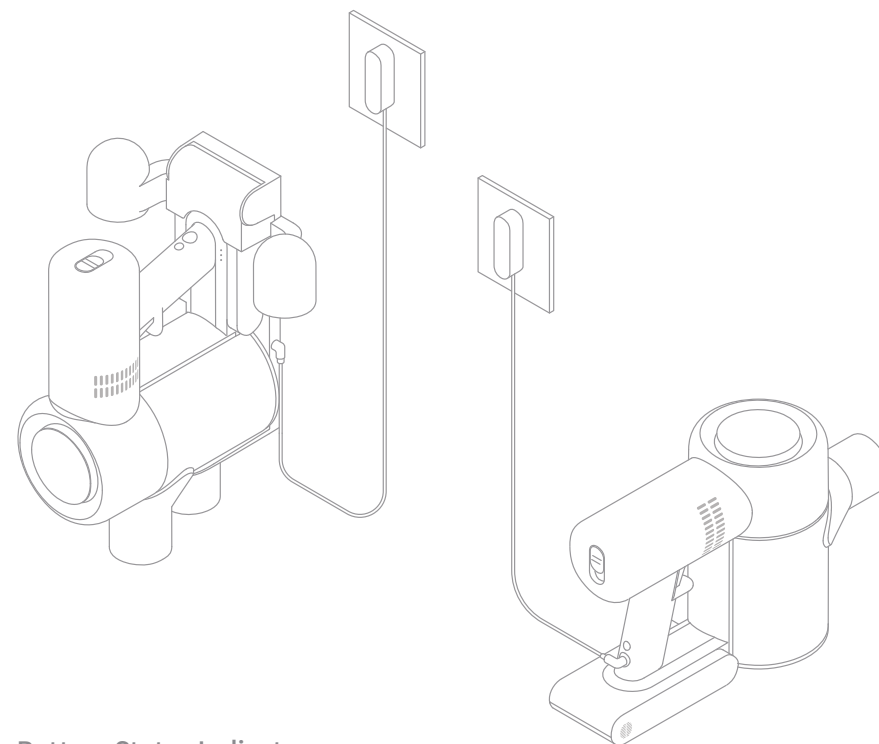
1. The 2-in-1 charging & storage mount is an optional accessory, you can install it based on your requirements.
2. The mount should be installed in a cool, dry place near a power outlet, out of direct sunlight, and away from moisture-prone areas, such as a kitchen.
3. Securely install the mount using mounting hardware suitable for the type of wall selected. Make sure the installation area is clear of any pipes such as gas or water lines, and air ducts, electric wires and cables, or drainage lines.
4. It is recommended to hire a professional to install the mount and to use protective clothing, goggles, and other protective equipment where necessary.
5. Using an electric drill, mark and drill two 8 mm diameter holes into the wall where desired to a depth of about 30 mm. Insert the wall plugs into the holes, position the mount, then fasten it to the wall with the included screws.



# How to Use

## Note:

1. Fully charge the vacuum before using it for the first time. This will take about 4 hours.
2. Vacuum cannot be used while charging.
3. Vacuuming at turbo mode for a prolonged period will cause the battery to heat up, which increases charging time. Allow the vacuum to cool down for 30 minutes before charging it.



## Battery Status Indicator

● Off    ☀-Blinking    ○ On

- ● ☀ Low battery
- ● ○ Half battery
- ☀ ○ ○ Nearly full
- ○ ○ Fully charged
- ● ● Fully charged

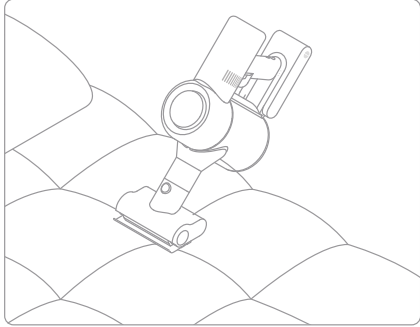
Note: Once the vacuum is fully charged, the indicator will turn off after 5 minutes, and the vacuum will enter the energy-saving mode.

Please read the Safety Instructions in this user manual before proceeding.

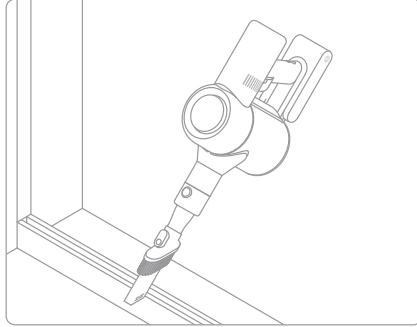
# How to Use

## Using Different Attachments

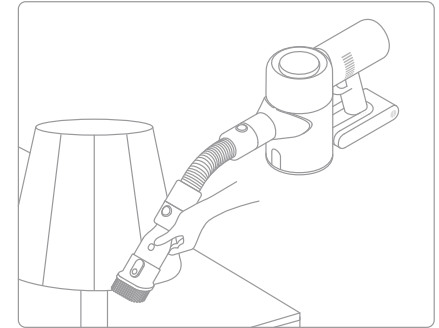
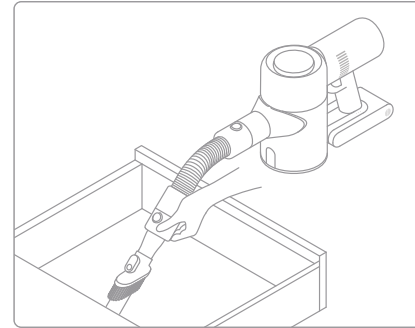
**Mini-Motorized Nozzle:** Strong vibrations yield deep cleaning action for removing mites and dust from mattresses and fabric surfaces.



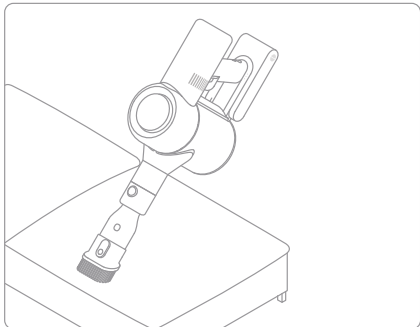
**2-in-1 Crevice Nozzle:** Suitable for vacuuming cracks, corners of doors and windows, stairs, and other hard-to-reach places.



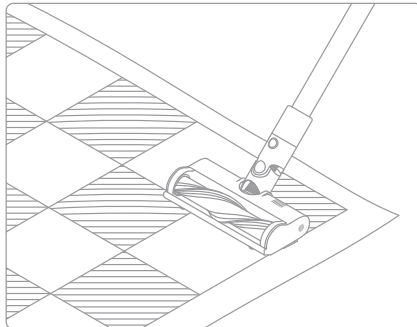
**Extension hose:** use for hard-to-reach corner cleaning.



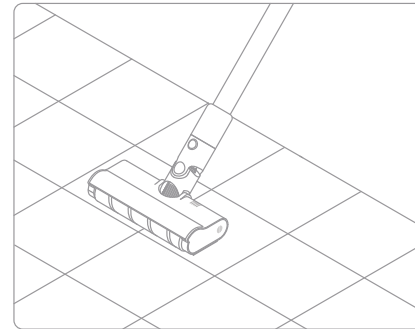
**2-in-1 Brush Nozzle:** Suitable for vacuuming up dust and mites on beds, sofas, and other furniture fabric.



**Carpet Roller:** Suitable for vacuuming on carpet.



**Soft Roller Nozzle:** Suitable for vacuuming the hard surfaces such as floor, tile, marble, as well as for vacuuming up larger pieces of dirt and debris. The Soft Roller Nozzle can also be directly attached to the vacuum.



**Note:**

1. If any rotating part becomes stuck, the vacuum may turn off automatically. Remove any trapped foreign objects, then resume use.
2. The vacuum will automatically shut off if its motor enters overheat protection mode. Wait until the motor's temperature returns to normal before resuming use.

# Care & Maintenance

## Tips:

1. Always use genuine parts to keep your warranty from being voided.
2. If the filter or nozzle becomes clogged, the vacuum will stop working shortly after being turned on. To restore functionality, clean the filter or nozzle.
3. If the vacuum will not be used for an extended period, fully charge it, unplug its power adapter, and store it in a cool, low-humidity environment away from direct sunlight. To avoid over-discharging the battery, recharge the vacuum at least once every 3 months.

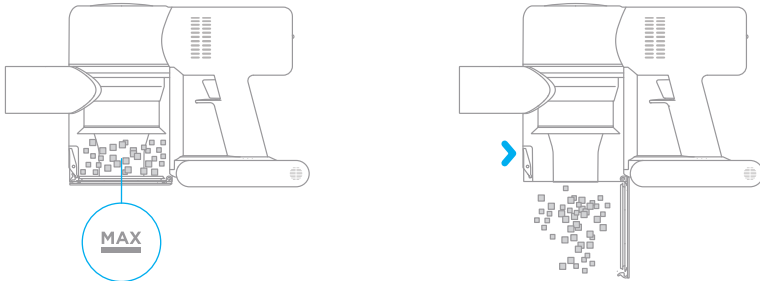
## Cleaning the Vacuum

Wipe the vacuum with a soft dry cloth.

## Cleaning the Dust Compartment

Before cleaning the dust compartment, disconnect the adapter and keep the vacuum's power switch in the off position. The vacuum's cleaning ability will be reduced if the dust compartment is filled to the "MAX" mark. To regain performance, empty the compartment.

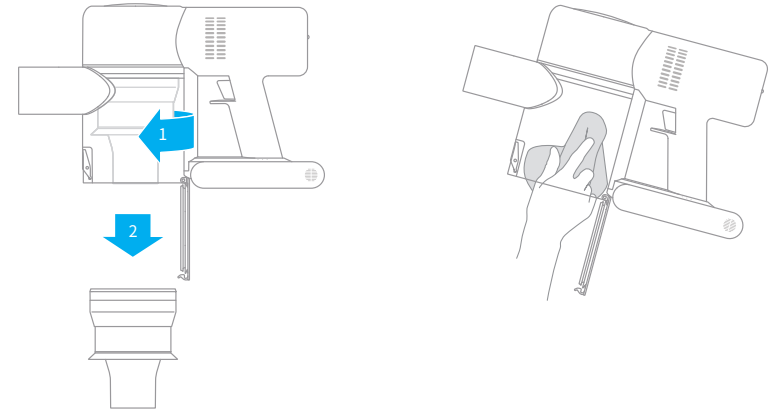
To empty the dust compartment: Press the release button on the bottom of the compartment, then empty its contents.



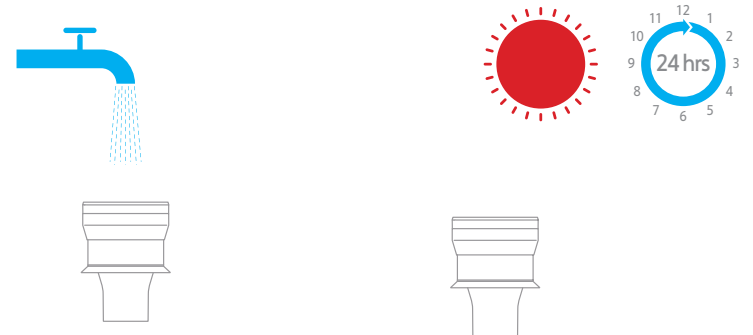
# Care & Maintenance

## Cleaning the Cyclone Assembly

1. Rotate the cyclone assembly in the direction illustrated to unlock it, then remove the cyclone assembly.



2. Rinse the cyclone assembly with water until it is clean. To thoroughly dry the cyclone assembly, keep it in a ventilated or cool place for at least 24 hours. Caution: Do not clean the cyclone assembly in a dishwasher or washing machine, and do not attempt to dry it in a tumble dryer, oven, microwave, or near an open fire.
3. Once it is dry, reinstall the cyclone assembly.



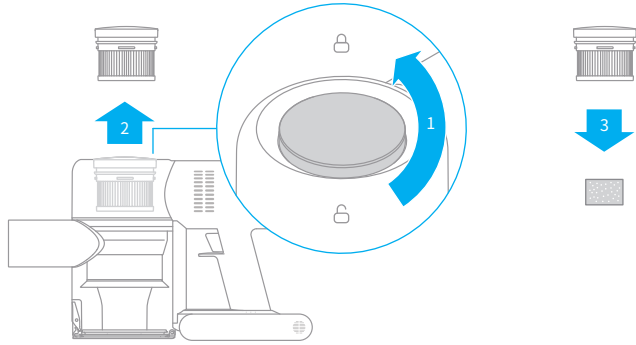


# Care & Maintenance

## Cleaning the HEPA Filter Assembly

1. Place the vacuum securely on a flat surface, then turn the HEPA filter assembly cover in the direction indicated and remove the HEPA filter assembly.

Note: Remove the built-in foam pad before cleaning the HEPA filter assembly. Rinse the HEPA filter and foam pad with water.



2. Rinse the HEPA filter and foam pad with water. To thoroughly remove all dust caught in the filter, rotate the HEPA filter by 360 degrees while rinsing. Lightly tap the filter against a sink several times to remove any excess debris. Keep the HEPA filter in a well-ventilated and cool place to fully dry.

Note: Fully dry the filter (at least 24 hours) before reinstalling it.



# Care & Maintenance

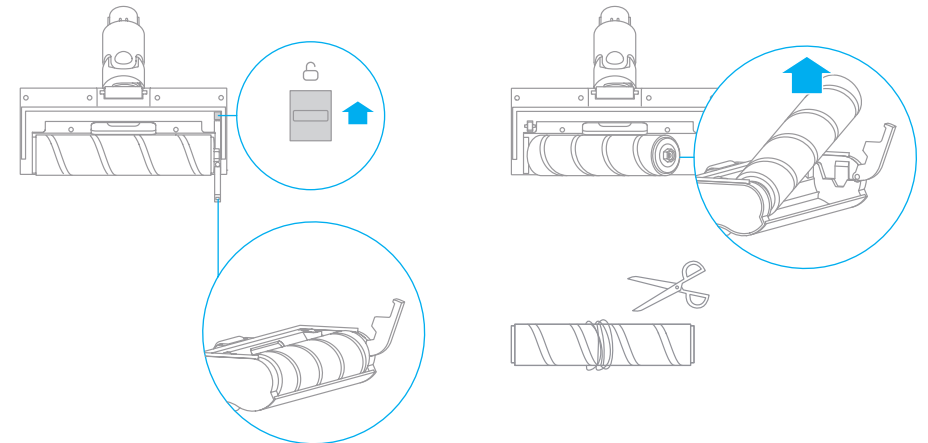
## Cleaning the Soft Roller Nozzle and Mini-Motorized Nozzle

Note: To prevent injury from accidentally turning on the vacuum, make sure the Soft Roller Nozzle or Mini-Motorized Nozzle is detached from the vacuum before removing the head. The Mini-Motorized Nozzle and Soft Roller Nozzle contain electrical components, and the Soft Roller Nozzle head also contains bearings. Do not wash these parts with water. Be careful of sharp objects when removing debris caught in the heads of Soft Roller Nozzle and Mini-Motorized Nozzle.

## Cleaning the Soft Roller Nozzle

1. Push the brushbar head release button in the direction of the arrow until the cover of the brushbar head pops to open, then remove the brushbar head by lifting it in the direction indicated.

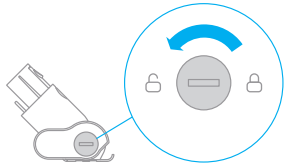
2. After you have finished cleaning the Soft Roller Nozzle, reinstall it by following the disassembly steps in reverse.



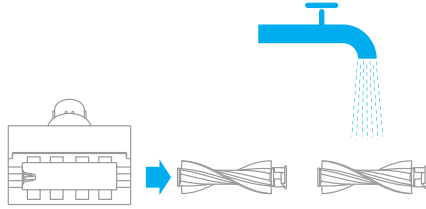
# Care & Maintenance

## Cleaning the Mini-Motorized Nozzle

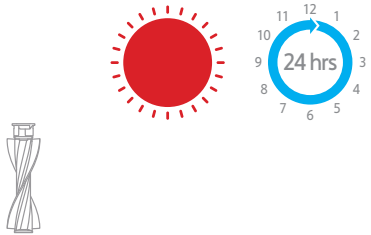
1. Use a coin as illustrated to rotate the lock counterclockwise until you hear a click.



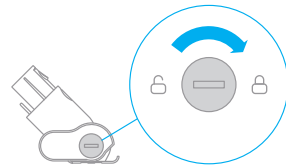
2. After unlocking the brush head, remove it from the Mini-Motorized Nozzle, then rinse and clean the brush head.



3. Stand the brush head upright in a well-ventilated area for at least 24 hours until it is fully dry.



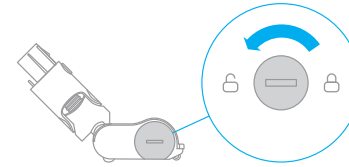
4. Once the Mini-Motorized Nozzle is dry, reinstall it by following the disassembly steps in reverse.



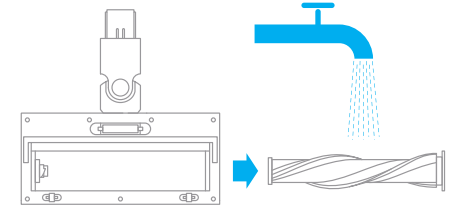
# Care & Maintenance

## Cleaning Carpet Roller

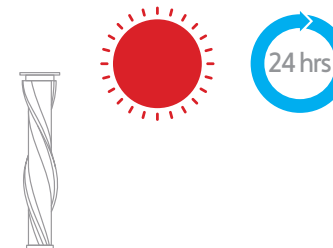
1. Turn the Lock Screw as shown in the diagram until it clicks and open to release the Carpet Roller.



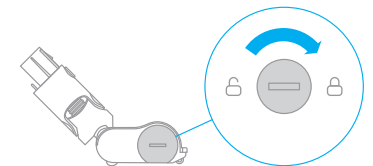
2. After unlocking the brush head, remove it from the Carpet Roller, then rinse and clean the brush head.



3. Stand the brush head upright in a well-ventilated area for at least 24 hours until it is fully dry.



4. Once the brush head is dry, reinstall it by following the disassembly steps in reverse.



# Troubleshooting

If the vacuum is not working properly, please refer to the troubleshooting table below.

Errors	Possible Causes	Solutions
Vacuum does not work	Vacuum is out of battery or low on power.	Fully charge the vacuum, then resume use.
	Overheat protection mode triggered by a blockage.	Wait until the vacuum cools down, then reactivate it.
	Suction opening or airway passage is blocked.	Clear any blockages from suction opening or airway passage.
Weak suction force	Dust compartment is full and/or HEPA filter assembly is clogged.	Empty the dust compartment and clean the HEPA filter assembly.
	Attachment is blocked.	Clear any blockages in the attachment.
Motor makes a strange noise	Main suction opening or extension rod is blocked.	Clear any blockages in main suction opening or extension rod.
The first indicator is red after turning on the vacuum	Battery is damaged.	Please contact the after-sales service department for maintenance.
The first indicator blinks red after turning on the vacuum.	Power adapter is incompatible.	Only use the original power adapter to charge the vacuum.
Battery indicator does not light up while charging	The adapter is not connected to the vacuum.	Make sure the power adapter is plugged in properly.
	The battery is fully charged and went into sleep mode.	Can be used normally.
	If the problem persists after ruling out the above two possibilities.	Please contact the after-sales service department for maintenance.
Charges slowly	Battery temperature is too low or too high.	Wait until the battery's temperature normalizes, then resume use.

This product contains batteries that can only be replaced by qualified technicians or after-sales service.

This product contains batteries that are non-replaceable.

## WEEE Information



All products bearing this symbol are waste electrical and electronic equipment (WEEE as in directive 2012/19/EU) which should not be mixed with unsorted household waste. Instead, you should protect human health and the environment by handing over your waste equipment to a designated collection point for the recycling of waste electrical and electronic equipment, appointed by the government or local authorities. Correct disposal and recycling will help prevent potential negative consequences to the environment and human health. Please contact the installer or local authorities for more information about the location as well as terms and conditions of such collection points.

# Consignes de sécurité

Veillez lire attentivement ce manuel avant toute utilisation et le conserver pour pouvoir le consulter ultérieurement afin d' éviter les accidents, notamment les chocs électriques ou les incendies causés par une mauvaise utilisation.

## Attention

Ce produit peut être utilisé par des enfants à partir de 8 ans, ainsi que des personnes présentant des déficiences physiques, sensorielles ou intellectuelles, ou dont l' expérience et les connaissances sont limitées sous le contrôle d' un parent ou d' un tuteur pour assurer une utilisation sécurisée et éviter tout danger. Le nettoyage et l' entretien ne doivent pas être effectués par des enfants sans surveillance.

L' aspirateur n' est pas un jouet. Les enfants ne doivent pas jouer avec ce produit ou l' utiliser. Soyez vigilant lorsque vous utilisez ce produit à proximité d' enfants. Les enfants ne sont pas autorisés à nettoyer ou à entretenir l' aspirateur sans la surveillance d' un parent ou d' un adulte.

N' utilisez pas l' aspirateur à l' extérieur sur des surfaces mouillées. Utilisez-le uniquement sur des surfaces sèches à l' intérieur. Ne touchez pas la prise ou toute partie de l' aspirateur avec les mains mouillées.

Vérifiez que la batterie au lithium et l' adaptateur de charge ne sont pas endommagés avant utilisation afin de réduire le risque d' incendie, d' explosion ou de blessure. N' utilisez pas l' aspirateur si l' un de ces éléments est endommagé.

La brosse douce, la batterie, la broche du connecteur métallique et l' aspirateur sont conducteurs et ne doivent pas être immergés dans l' eau ou tout autre liquide. Veillez à sécher tous les filtres après nettoyage.

Mettez l' aspirateur hors tension avant de nettoyer la brosse douce. La brosse douce, le compartiment à poussière et le filtre doivent être convenablement installés avant d' utiliser l' aspirateur.

Utilisez uniquement l' adaptateur de charge d' origine. N' utilisez jamais d' adaptateur d' une autre marque, car la batterie au lithium pourrait prendre feu.

N' utilisez pas l' aspirateur pour aspirer des liquides inflammables ou combustibles, comme de l' essence, ou de l' eau de javel, de l' ammoniac, des nettoyeurs pour canalisations ou tout autre liquide.

N' utilisez pas l' aspirateur pour aspirer des particules de plâtre, des cendres ou des matériaux de combustion ou des substances fumigènes, tels que du charbon, des mégots de cigarette ou des allumettes.

N' utilisez pas l' aspirateur pour aspirer des objets durs ou pointus, comme du verre, des clous, des vis ou des pièces de monnaie sous peine d' endommager l' appareil.

Tenez vos cheveux, tout vêtement ample, vos doigts et toute autre partie du corps éloignés des orifices et des pièces amovibles de l' aspirateur. Ne dirigez pas le tuyau, le tube ou les accessoires vers vos yeux ou vos oreilles et ne les placez pas dans votre bouche.

Ne placez aucun objet dans les orifices de l' aspirateur. N' utilisez pas l' aspirateur en cas d' obstruction d' un des orifices. Retirez la poussière, les peluches, les cheveux ou tout autre élément susceptible de réduire le flux d' air.

Ne placez pas l' aspirateur contre une chaise, une table ou toute surface instable sous peine d' endommager l' appareil ou de vous blesser. Si l' aspirateur est endommagé ou fonctionne mal en raison d' une chute, contactez notre service après-vente agréé. Ne tentez jamais de démonter l' appareil vous-même.

Toutes les instructions du manuel relatives à la recharge de la batterie doivent être suivies scrupuleusement. Vous pourriez endommager la batterie si vous ne la chargez pas dans la plage de températures spécifiée.

Utilisez uniquement des accessoires et des pièces de rechange approuvées par Dreame.

N' utilisez pas l' aspirateur sans le compartiment à poussière transparent et le filtre.

Veillez à débrancher l' aspirateur lorsqu' il n' est pas utilisé pendant une période prolongée ou avant tout entretien ou toute réparation.

Soyez extrêmement vigilant lorsque vous utilisez l' aspirateur pour nettoyer un escalier.

Ce produit ne doit pas être installé, chargé ou utilisé à l' extérieur, dans une salle de bains ou autour d' une piscine.

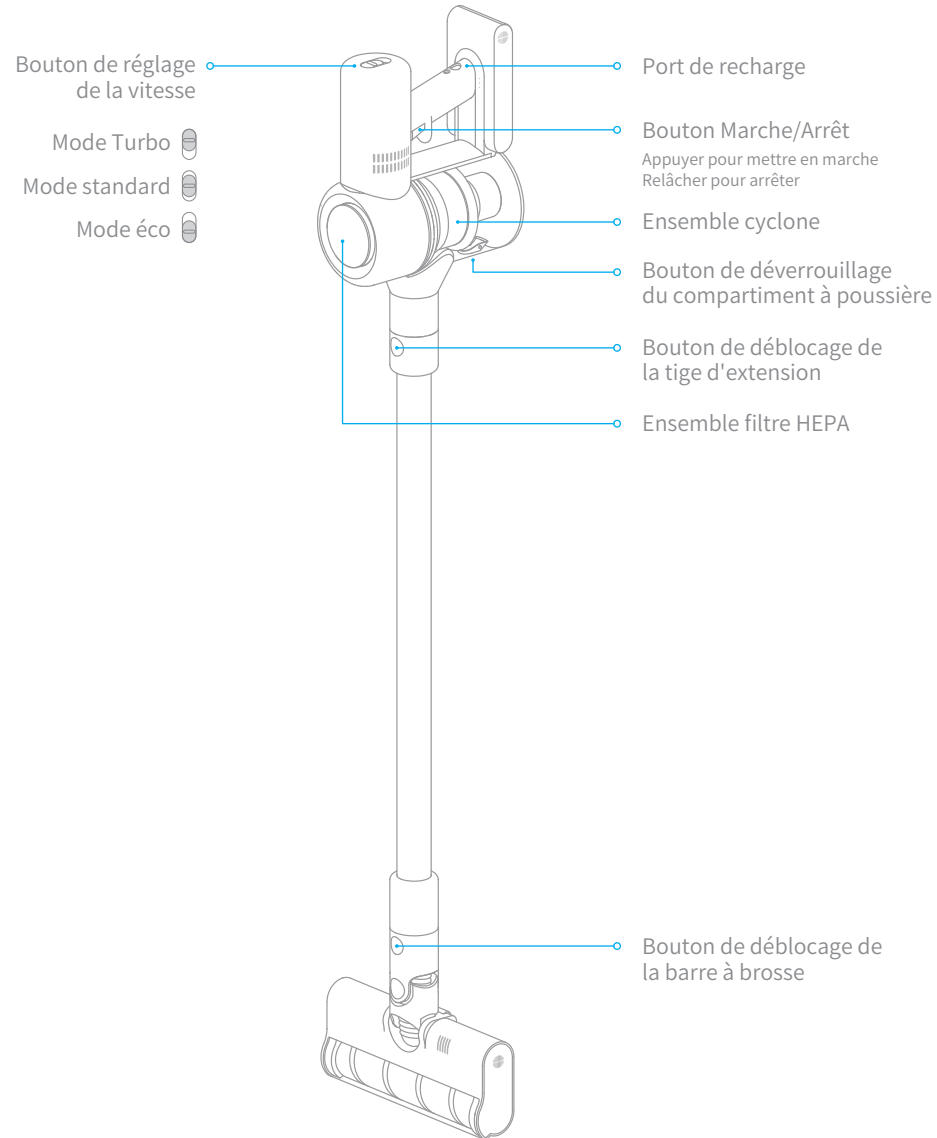
Avertissement sur le risque d' incendie : N' appliquez aucun parfum dans le filtre de l' aspirateur. L' appareil pourrait prendre feu, car ces types de produits sont connus pour contenir des produits chimiques inflammables.

Ce produit est conçu pour une utilisation domestique uniquement.

Par la présente, Dreame Technology (Tianjin) Limited déclare que cet équipement est conforme aux directives et normes européennes applicables, ainsi qu' à leurs amendements. L' intégralité de la déclaration de conformité pour l' UE est disponible à l' adresse suivante : [www.dreame.tech](http://www.dreame.tech)

# Présentation du produit

## Nom des pièces

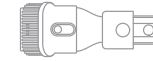


# Présentation du produit

## Accessoires



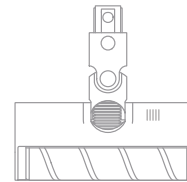
Suceur fente 2-en-1



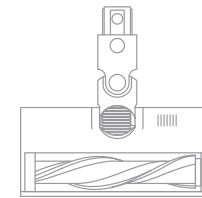
Suceur brosse 2-en-1



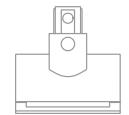
Tuyau souple extensible



Brosse douce



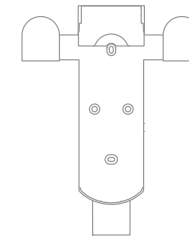
Rouleau de tapis



Brosse électrique anti-acariens



Tige de rallonge



Station de charge et de stockage 2-en-1  
(2 vis, 2 prises murales incluses)

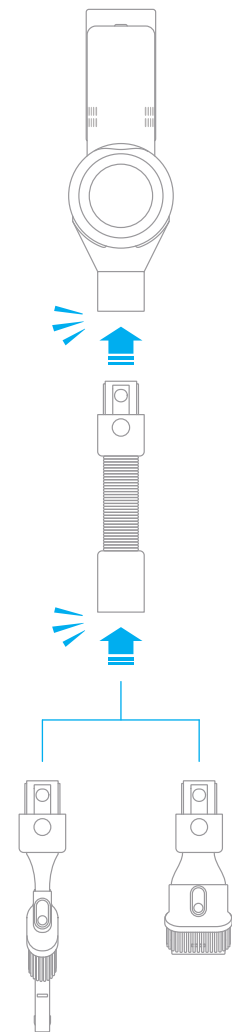
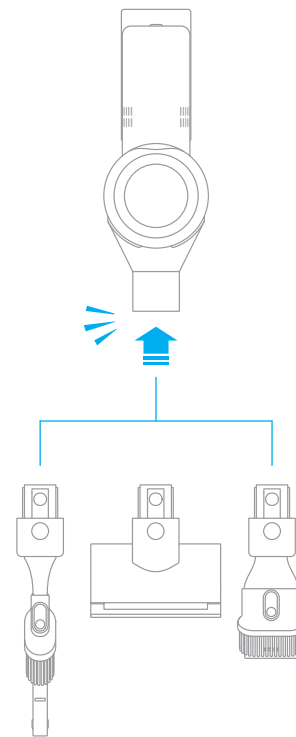
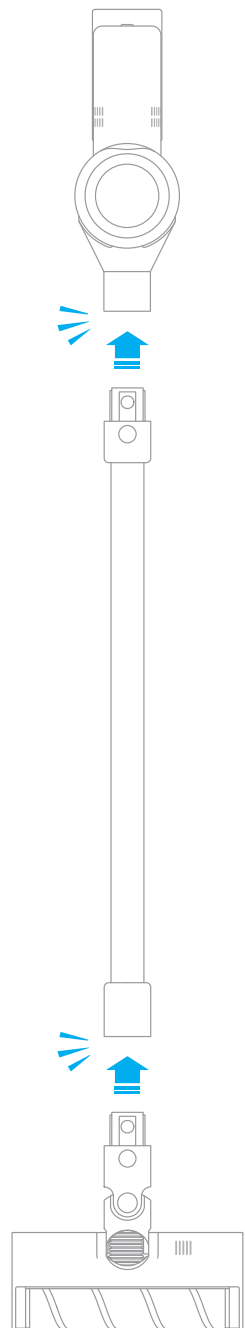


Adaptateur secteur

# Installation

## Schéma d' installation de l' aspirateur et des accessoires

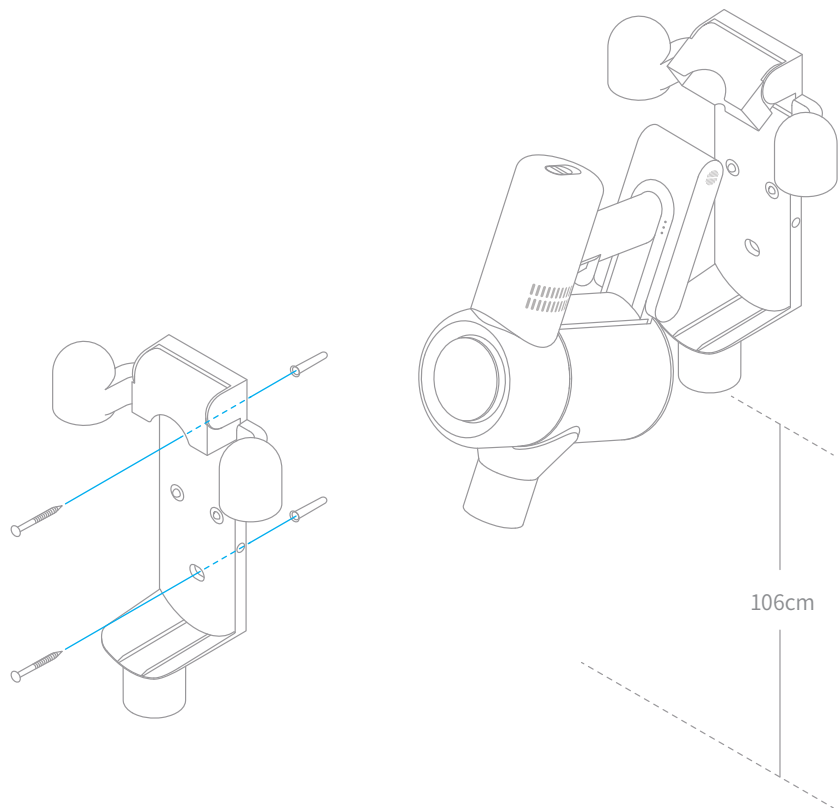
 Insérer jusqu' à entendre un déclic



# Installation

## Installation de la station de charge et de stockage 2-en-1

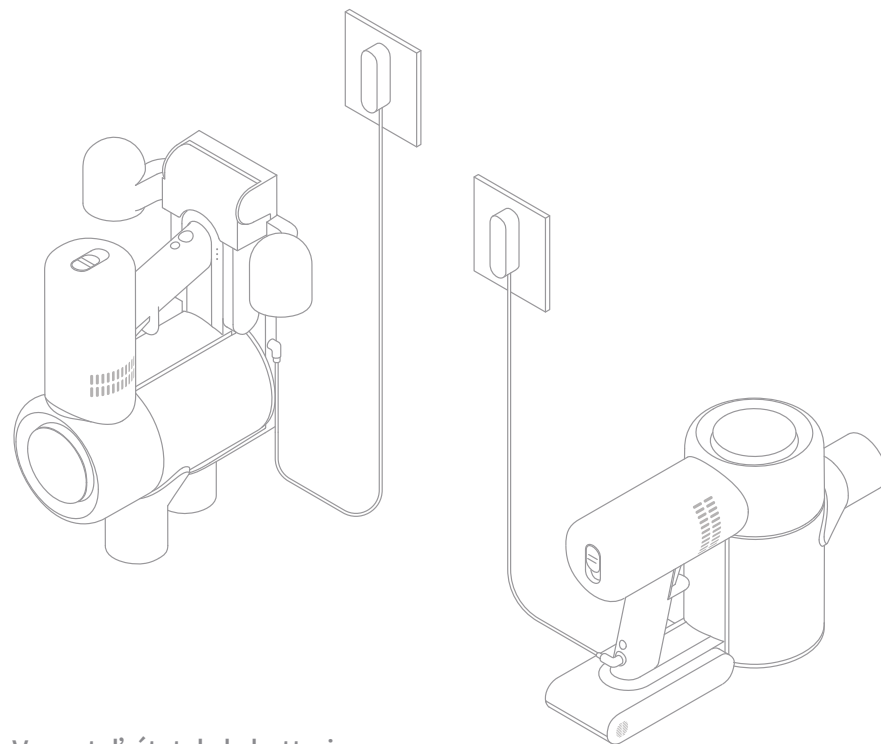
1. Cette station est un accessoire facultatif que vous pouvez installer en fonction de vos besoins.
2. Elle doit être placée dans un endroit sec et frais, à proximité d' une prise électrique, éloignée des rayons directs du soleil et ne doit pas être installée dans des endroits humides, comme une cuisine.
3. Fixez la station de charge à l' aide du matériel de montage adapté au type de mur choisi. Vérifiez que la zone d' installation ne contient pas de conduites de gaz, d' eau ou d' air, de fils et de câbles ou de drains.
4. Il est recommandé de faire appel à un professionnel pour installer la station de charge et de porter des vêtements de protection, lunettes de sécurité, ou autre équipement de protection si nécessaire.
5. À l' aide d' une perceuse électrique, marquez et percez deux trous de 8 mm de diamètre dans le mur à l' endroit voulu à une profondeur d' environ 30 mm. Placez les prises murales dans les trous, positionnez la station, puis fixez-la au mur à l' aide des vis fournies.



# Mode d' utilisation

## Remarque :

1. Chargez entièrement la batterie de l' aspirateur avant la première utilisation. Cette opération peut prendre environ 4 heures.
2. L' aspirateur ne peut pas être utilisé pendant la charge.
3. L' aspiration en mode Turbo pendant une période prolongée peut entraîner la surchauffe de la batterie, ce qui augmente le temps de charge. Laissez l' aspirateur refroidir pendant 30 minutes avant de le charger.



## Voyant d' état de la batterie

● Arrêt ☼ Clignotant ○ Marche

● ● ☼ Batterie faible

● ☼ ○ Batterie à moitié vide

☼ ○ ○ Batterie presque pleine

○ ○ ○ Entièrement chargée

● ● ● Entièrement chargée

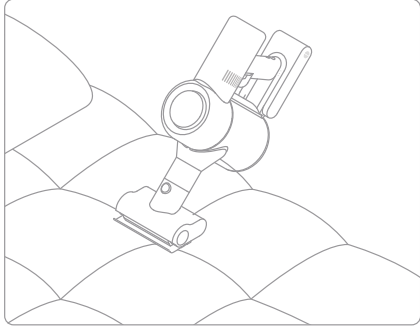
Remarque : Une fois l' aspirateur entièrement chargé, le voyant s' éteint au bout de 5 minutes et l' appareil passe en mode économie d' énergie.

Avant de continuer, veuillez lire attentivement les Consignes de sécurité dans ce manuel d' utilisation.

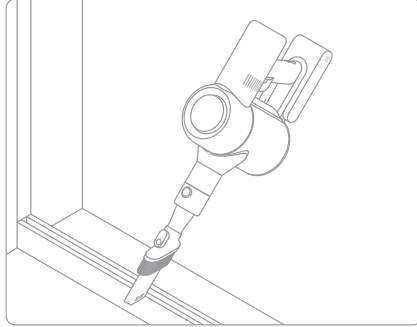
# Mode d' utilisation

## Utilisation des différents accessoires

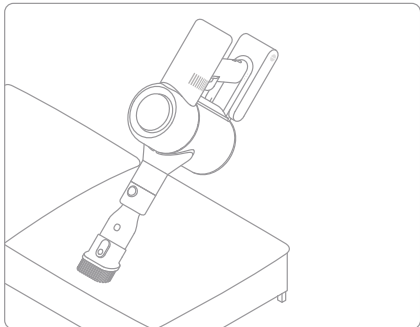
**Brosse électrique anti-acariens :** Émet de fortes vibrations pour un nettoyage en profondeur afin d' éliminer les acariens et la poussière des matelas et des surfaces en tissu.



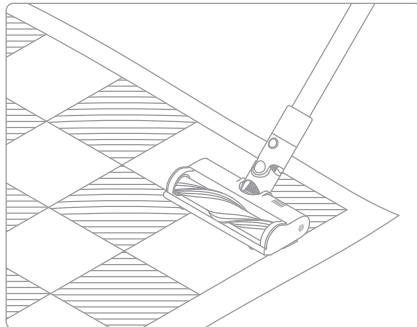
**Suceur fente 2-en-1 :** Adapté à l' aspiration dans les fentes, les coins des portes et fenêtres, les escaliers et tout autre endroit difficile d' accès.



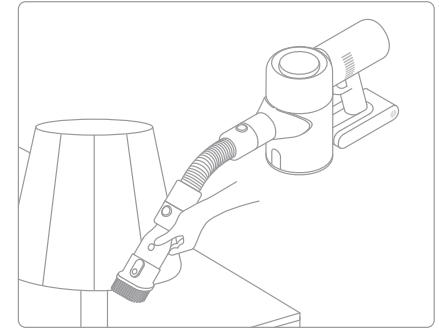
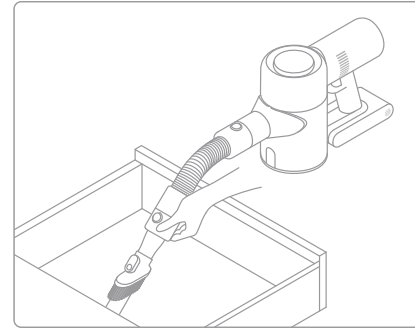
**Suceur brosse 2-en-1 :** Adapté à l' aspiration de la poussière et des acariens sur les lits, les canapés et le mobilier en tissu.



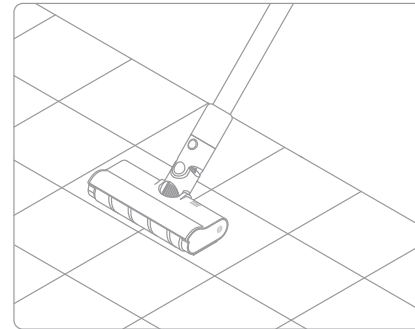
**Rouleau de tapis:** Convient pour passer l'aspirateur sur un tapis



**Tuyau souple extensible:** utilisé pour le nettoyage des coins difficiles à atteindre.



**Brosse douce :** Adaptée à l' aspiration des surfaces dures, telles que le parquet, le carrelage, le marbre, et des salissures et des débris de plus grande taille. La brosse douce peut également être fixée directement à l' aspirateur.



Remarque :

1. L' aspirateur peut s' éteindre automatiquement en cas de blocage d' une pièce rotative. Retirez les corps étrangers coincés, puis reprenez l' utilisation.
2. L' aspirateur s' éteint automatiquement si le moteur entre en mode de protection contre la surchauffe. Attendez que la température du moteur redevienne normale avant de reprendre l' utilisation de l' appareil.



# Entretien et maintenance

## Astuces :

1. Utilisez toujours des pièces d'origine, faute de quoi la garantie pourrait être annulée.
2. En cas d'obstruction du filtre ou du suceur, l'aspirateur s'arrête de fonctionner peu après avoir été mis sous tension. Nettoyez le filtre ou le suceur afin de rétablir son fonctionnement.
3. Si l'aspirateur n'a pas été utilisé pendant une période prolongée, chargez entièrement sa batterie, débranchez son adaptateur secteur et stockez-le dans un endroit frais, sec et éloigné des rayons directs du soleil. Pour éviter une décharge excessive de la batterie, rechargez l'aspirateur au moins tous les 3 mois.

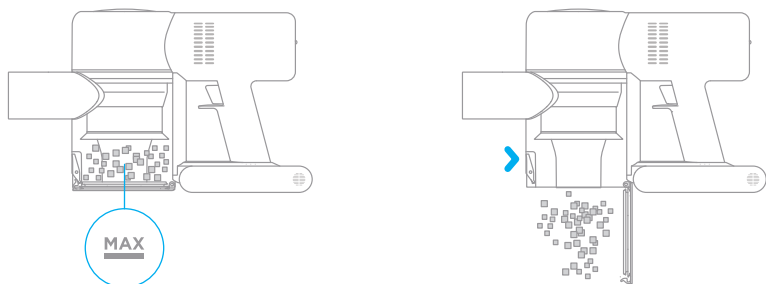
## Nettoyage de l'aspirateur

Essuyez l'aspirateur avec un chiffon doux et sec.

## Nettoyer le compartiment à poussière

Avant de nettoyer le compartiment à poussière, débranchez l'adaptateur et laissez le bouton d'alimentation éteint. La fonction de nettoyage de l'aspirateur sera réduite si le compartiment à poussière est rempli jusqu'au niveau de la marque « MAX ». Videz-le pour améliorer les performances.

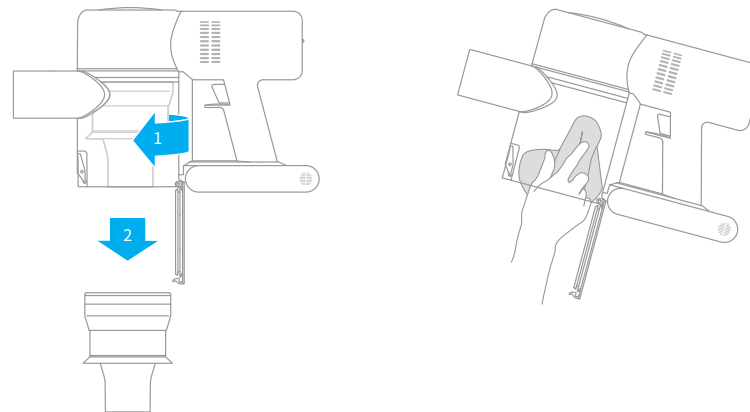
Pour vider le compartiment à poussière. Appuyez sur le bouton situé au bas de celui-ci et videz son contenu.



# Entretien et maintenance

## Nettoyage de l'ensemble cyclone

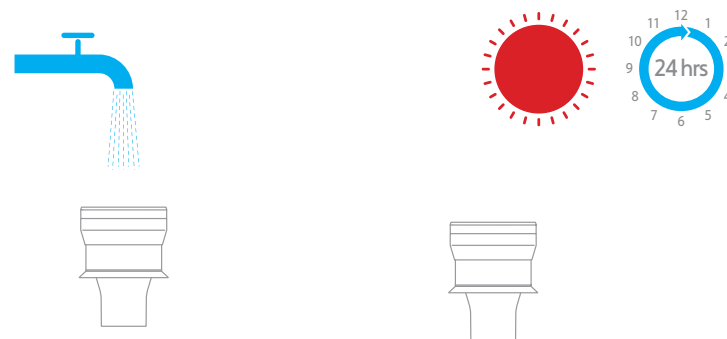
1. Faites tourner l'ensemble cyclone dans le sens de déverrouillage indiqué, puis retirez-le.



2. Rincez l'ensemble cyclone avec de l'eau jusqu'à ce qu'il soit propre. Pour le sécher, stockez-le dans un endroit frais et ventilé pendant au moins 24 heures.

Attention : Ne nettoyez pas l'ensemble cyclone dans un lave-vaisselle ou un lave-linge, et ne le séchez pas dans un sèche-linge, un four, un four à micro-ondes ou dans un endroit à proximité d'une flamme nue.

3. Une fois l'ensemble cyclone sec, réinstallez-le.

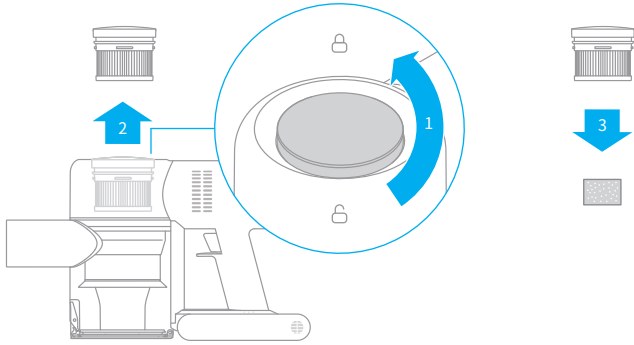


# Entretien et maintenance

## Nettoyage de l' ensemble filtre HEPA

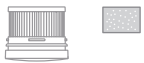
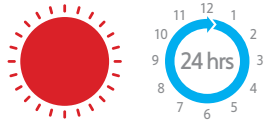
1. Fixez l' aspirateur solidement sur une surface plane, puis faites tourner le couvercle de l' ensemble filtre HEPA dans le sens indiqué pour le retirer.

Remarque : Retirez le coussinet en mousse avant de nettoyer l' ensemble filtre HEPA, puis rincez le tout avec de l' eau.



2. Rincez le filtre HEPA et la mousse avec de l' eau. Pour retirer toute la poussière emprisonnée dans le filtre, faites tourner ce dernier à 360 degrés pendant le rinçage. Tapez légèrement le filtre plusieurs fois contre l' évier pour retirer l' excès de débris. Stockez le filtre HEPA dans un endroit frais et bien ventilé pour le sécher complètement.

Remarque : Séchez complètement le filtre (pendant au moins 24 heures) avant de le réinstaller.



# Entretien et maintenance

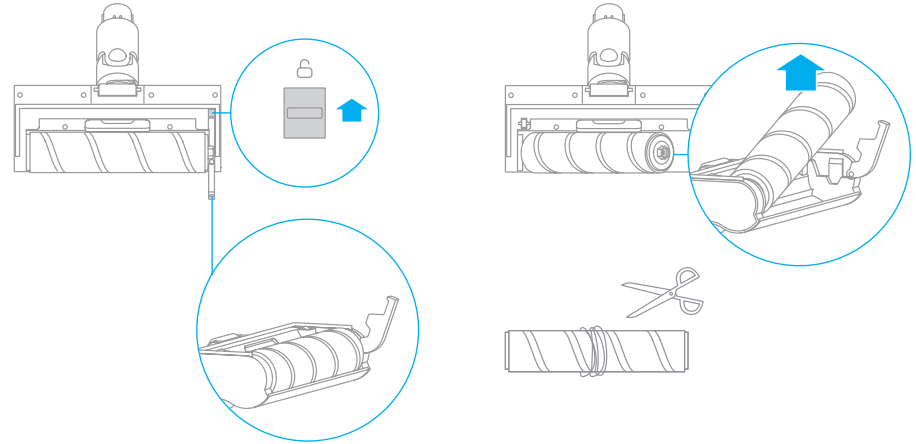
## Nettoyage de la brosse douce et de la brosse électrique anti-acariens

Remarque : Pour éviter toute blessure lors de la mise sous tension de l' aspirateur, vérifiez que la brosse douce ou la brosse électrique anti-acariens est détachée de ce dernier avant de retirer la tête. Ces brosses renferment des composants électriques et la tête de la brosse douce comporte également des roulements. Ne lavez pas ces pièces avec de l' eau. Faites attention aux objets pointus lorsque vous retirez les débris interceptés dans les têtes de la brosse douce et de la brosse électrique anti-acariens.

## Nettoyage de la brosse douce

1. Appuyez sur le bouton de déverrouillage de la tête dans le sens de la flèche jusqu' à ce que son couvercle s' ouvre, puis retirez la tête de la brosse en la soulevant dans le sens indiqué.

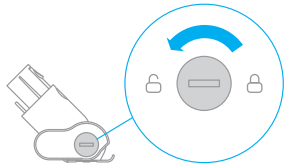
2. Une fois le nettoyage de la brosse douce terminé, réinstallez-la en suivant la procédure de démontage dans l' ordre inverse.



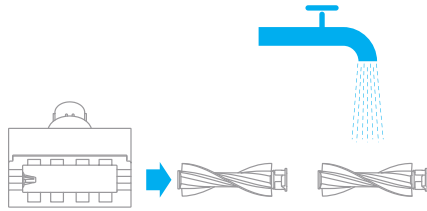
# Entretien et maintenance

## Nettoyage de la brosse électrique anti-acariens

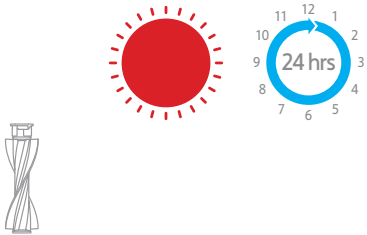
1. Utilisez une pièce comme illustré pour faire tourner le verrou dans le sens anti-horaire jusqu' à entendre un clic.



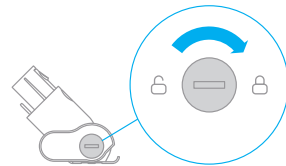
2. Une fois la tête de brosse déverrouillée, retirez-la de la brosse électrique anti-acariens, puis rincez et nettoyez-la.



3. Stockez la tête de brosse à la verticale dans un endroit bien ventilé pendant au moins 24 heures jusqu' à ce qu' elle soit totalement sèche.



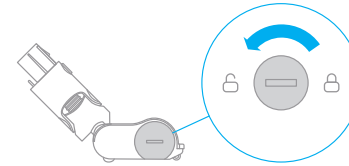
4. Dès que la brosse douce est sèche, réinstallez-la en suivant la procédure de démontage dans l' ordre inverse.



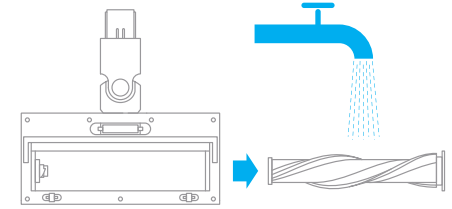
# Entretien et maintenance

## Nettoyez le rouleau de tapis

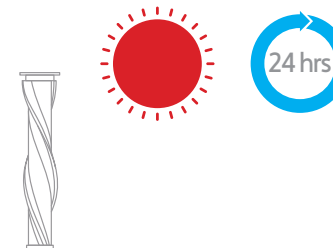
1. Tournez la vis de verrouillage comme indiqué sur le schéma avec une pièce de monnaie jusqu'à ce qu'elle s'enclenche.



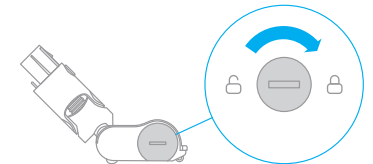
2. Après avoir déverrouillé la tête de la brosse, retirez-la du rouleau de tapis, puis rincez et nettoyez la tête de la brosse.



3. Stockez la tête de brosse à la verticale dans un endroit bien ventilé pendant au moins 24 heures jusqu' à ce qu' elle soit totalement sèche.



4. Dès que la brosse douce est sèche, réinstallez-la en suivant la procédure de démontage dans l' ordre inverse.



En cas de dysfonctionnement de l'aspirateur, consultez le tableau ci-dessous.

Erreurs	Causes possibles	Solutions
L'aspirateur ne fonctionne pas.	La batterie de l'aspirateur est déchargée ou faiblement chargée.	Rechargez complètement l'aspirateur avant de commencer à le réutiliser.
	Déclenchement du mode Protection suite à une obstruction.	Attendez que l'aspirateur refroidisse, puis réactivez-le.
	L'orifice d'aspiration ou le passage d'air est obstrué.	Retirez les débris susceptibles de bloquer l'orifice d'aspiration ou le passage de l'air.
Réduction de la puissance d'aspiration.	Le compartiment à poussière est rempli et/ou l'ensemble filtre HEPA est obstrué.	Videz le compartiment à poussière et nettoyez l'ensemble filtre HEPA.
	L'accessoire est obstrué.	Retirez les débris susceptibles d'obstruer l'accessoire.
Le moteur fait un bruit anormal.	L'orifice d'aspiration principal ou la tige de rallonge est obstruée.	Retirez les débris susceptibles de bloquer l'orifice d'aspiration principal ou la tige de rallonge.
Le premier voyant est rouge après la mise sous tension de l'aspirateur.	La batterie est déchargée.	Contactez le service après-vente pour maintenance.
Le premier voyant clignote en rouge après la mise sous tension de l'aspirateur.	L'adaptateur secteur est incompatible.	Utilisez uniquement l'adaptateur secteur d'origine pour recharger l'aspirateur.
Le voyant de la batterie ne s'allume pas lors de la recharge.	L'adaptateur secteur n'est pas connecté à l'aspirateur.	Assurez-vous que l'adaptateur secteur est correctement branché.
	La batterie est complètement chargée et est passée en mode veille.	Elle peut être utilisée normalement.
	Si le problème persiste après avoir éliminé les deux possibilités ci-dessus.	Contactez le service après-vente pour maintenance.
La recharge s'effectue lentement.	La température de la batterie est trop faible ou trop élevée.	Attendez que la température de la batterie redevienne normale, puis recommencez à l'utiliser.

Ce produit contient des batteries uniquement remplaçables par des techniciens qualifiés ou le service après-vente.

Ce produit contient des batteries non remplaçables.

## Informations DEEE



Tous les produits portant ce symbole deviennent des déchets d'équipements électriques et électroniques (DEEE dans la Directive européenne 2012/19/UE) qui ne doivent pas être mélangés aux déchets ménagers non triés. Vous devez contribuer à la protection de l'environnement et de la santé humaine en apportant l'équipement usagé à un point de collecte dédié au recyclage des équipements électriques et électroniques, agréé par le gouvernement ou les autorités locales. Le recyclage et la destruction appropriés permettront d'éviter tout impact potentiellement négatif sur l'environnement et la santé humaine. Contactez l'installateur ou les autorités locales pour obtenir plus d'informations concernant l'emplacement ainsi que les conditions d'utilisation de ce type de point de collecte.

# Sicherheitshinweise

Um zu vermeiden, dass es durch unsachgemäße Benutzung zu Stromschlägen oder Bränden kommt, sollten Sie dieses Handbuch vor der Benutzung sorgfältig durchlesen und es aufbewahren, um künftig nachschlagen zu können.

## Warnung!

Dieses Produkt kann von Kindern im Alter ab acht Jahren und von Personen mit physischen, sensorischen und intellektuellen Einschränkungen oder begrenzter Erfahrung oder Wissen benutzt werden, dies muss jedoch unter Aufsicht von Eltern oder einer Aufsichtsperson erfolgen, um einen sicheren Betrieb zu gewährleisten und Gefahren auszuschließen. Eine Wartung und Reinigung darf durch Kinder nur unter Aufsicht erfolgen.

Der Staubsauger ist kein Spielzeug. Kinder dürfen mit dem Produkt nicht spielen oder es benutzen. Seien Sie bei der Benutzung des Staubsaugers in der Nähe von Kindern bitte vorsichtig. Gestatten Sie es Kindern keinesfalls, den Staubsauger zu reinigen oder zu warten, außer unter Aufsicht eines Elternteils oder Vormunds.

Der Staubsauger darf nicht im Freien oder auf nassen Oberflächen benutzt werden. Der Staubsauger darf nicht mit nassen Händen berührt werden.

Um das Risiko von Bränden, Explosionen und Verletzungen zu mindern, prüfen Sie vor der Benutzung bitte den Lithium-Akku und das Ladegerät auf Beschädigungen. Der Staubsauger darf nicht benutzt werden, wenn der Lithium-Akku oder das Ladegerät beschädigt ist.

Die weiche Bürstenrolle, der Akku, der Metall-Verbindungstift und der Staubsauger können Strom leiten und sollten nicht in Wasser oder andere Flüssigkeiten getaucht werden. Bitte achten Sie darauf, dass alle Filter nach der Reinigung getrocknet werden.

Um Verletzungen durch bewegliche Teile zu vermeiden, müssen Sie den Staubsauger vor der Reinigung der weichen Bürstenrolle abschalten. Vor der Benutzung des Staubsaugers müssen die weiche Bürstenrolle, der Staubbehälter und der Filter korrekt installiert werden.

Benutzen Sie ausschließlich das Original-Ladegerät. Die Benutzung eines nicht originalen Ladegerätes kann zu einer Entzündung des Lithium-Akkus führen.

Der Staubsauger darf nicht benutzt werden, um brennbare oder entzündliche Flüssigkeiten wie Benzin, Bleiche, Ammoniak, Abflussreiniger oder andere Flüssigkeiten aufzusaugen.

Der Staubsauger darf nicht benutzt werden, um Rigipspartikel, Asche (z. B. Kaminasche) oder Rauch- oder Brennmaterialien wie Kohle, Zigarettenstummel oder Streichhölzer aufzusaugen.

Der Staubsauger darf nicht benutzt werden, um scharfe oder harte Objekte wie Glas, Nägel, Schrauben oder Münzen aufzusaugen, da dies zu Schäden am Gerät führen kann.

Halten Sie Haare, lose Kleidung, Finger und andere Körperteile von den Öffnungen des Staubsaugers und den beweglichen Teilen fern. Der Schlauch, das Rohr und das Werkzeug dürfen nicht auf Augen oder Ohren gerichtet werden oder in den Mund genommen werden.

Stecken Sie keine Gegenstände in die Öffnungen des Staubsaugers. Der Staubsauger darf nicht genutzt werden, wenn eine Öffnung blockiert ist. Er muss frei von Staub, Flusen, Haaren und anderen Gegenständen gehalten werden, die den Luftstrom behindern könnten.

Lehnen Sie den Staubsauger nicht gegen Stühle, Tische oder andere instabile Flächen, da dies zu Schäden am Gerät oder Verletzungen führen kann. Falls der Staubsauger durch Umkippen beschädigt wird oder sonst defekt ist, wenden Sie sich bitte an unsere autorisierte Serviceabteilung. Versuchen Sie nie, das Gerät selbst zu zerlegen.

Beim Aufladen des Akkus sind alle Anweisungen in dieser Anleitung strikt zu befolgen. Wenn bei der Aufladung des Akkus der angegebene Temperaturbereich nicht eingehalten wird, kann der Akku beschädigt werden.

Verwenden Sie nur Zubehör und Ersatzteile, die von Dreame zugelassen sind.

Der Staubsauger darf nur benutzt werden, wenn der klare Staubbehälter und der Filter ordnungsgemäß montiert sind.

Stellen Sie sicher, dass der Staubsauger nicht mit dem Stromnetz verbunden ist, wenn Sie ihn über längere Zeit nicht benutzen. Der Staubsauger muss außerdem vom Stromnetz getrennt werden, bevor Wartungs- und Reparaturarbeiten erfolgen.

Bitte seien Sie besonders vorsichtig, wenn Sie den Staubsauger zur Treppenreinigung verwenden.

Dieses Produkt darf nicht im Freien, in Badezimmern oder in der Nähe eines Schwimmbeckens benutzt, installiert oder geladen werden.

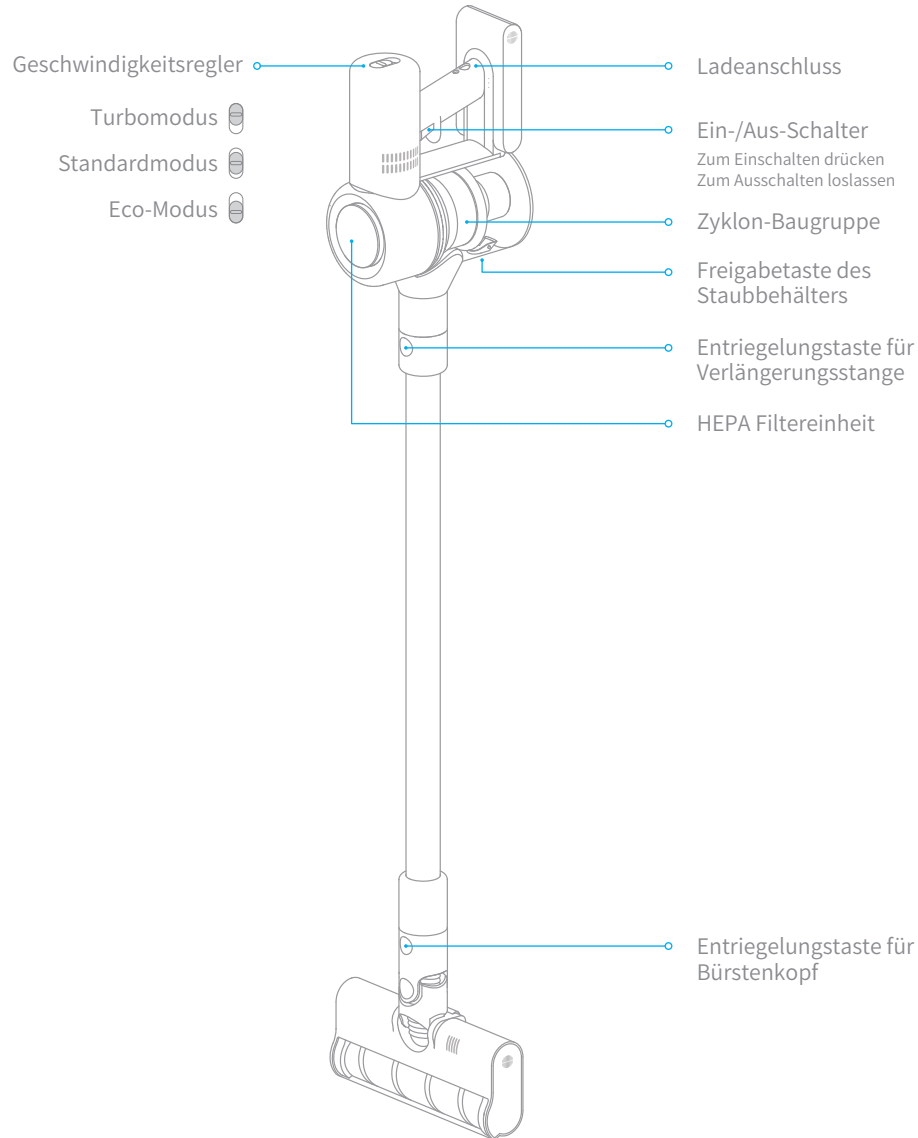
Warnung vor Brandgefahr: auf den Filter dürfen keinesfalls Duftstoffe jeglicher Art aufgetragen werden. Diese Art von Produkten enthält häufig brennbare Chemikalien, die dazu führen könnten, dass das Gerät Feuer fängt.

Das Produkt ist nur für den Heimgebrauch bestimmt.

Wir, Dreame Technology (Tianjin) Limited bestätigen hiermit, dass dieses Gerät mit den geltenden Verordnungen und europäischen Normen sowie etwaigen Ergänzungen in Einklang steht. Der vollständige Wortlaut der EU-Konformitätserklärung ist unter der folgenden Internetadresse abrufbar: [www.dreame.tech](http://www.dreame.tech)

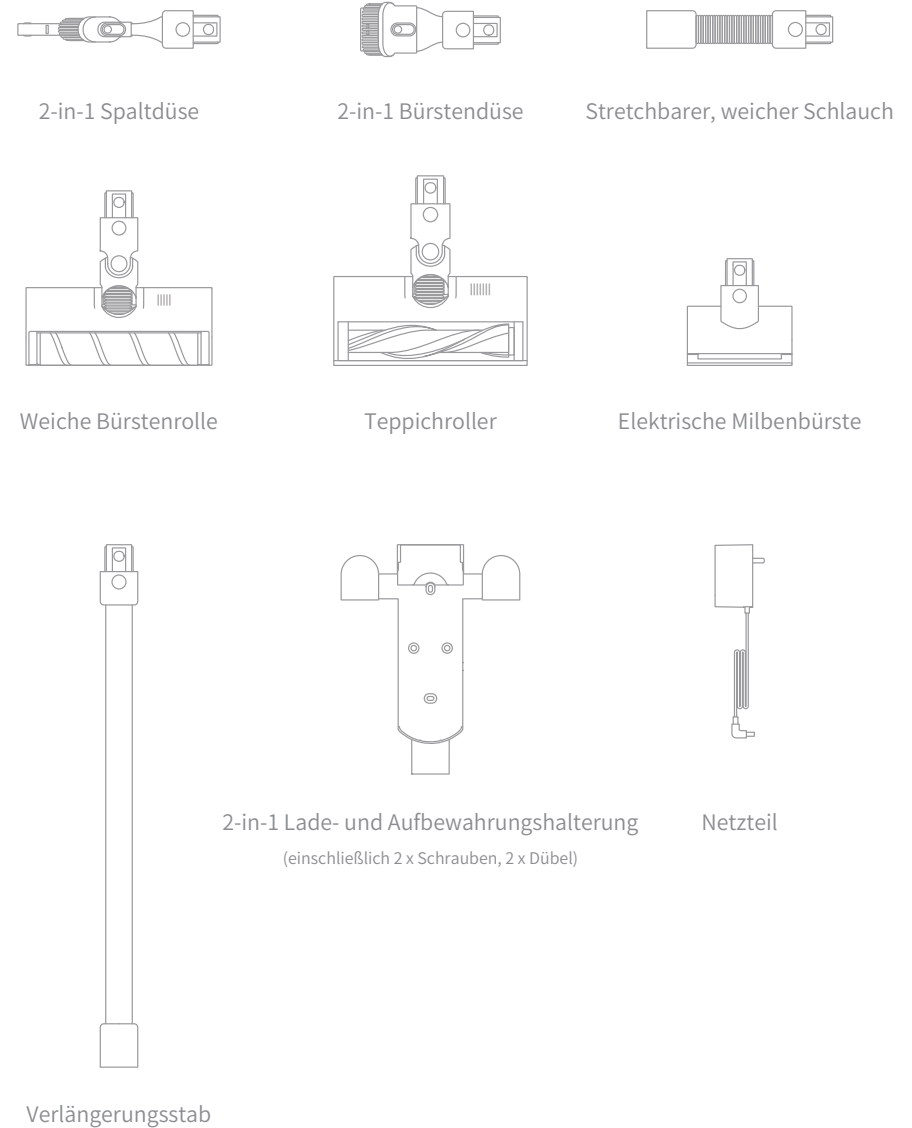
# Produktüberblick

## Teilebezeichnung



# Produktüberblick

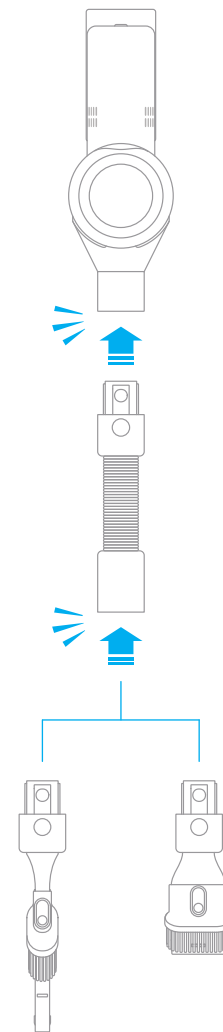
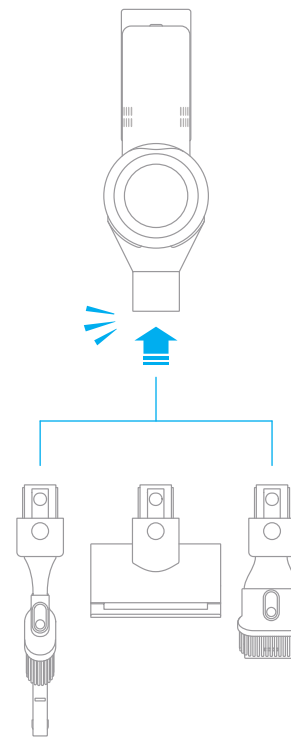
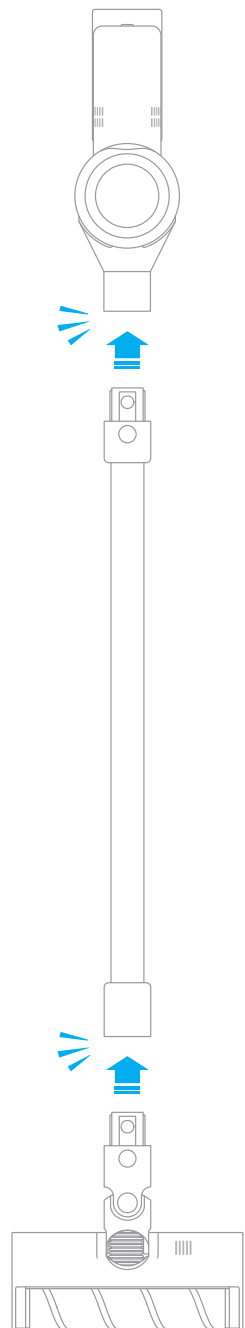
## Zubehör



# Installation

## Installationsdiagramm für Staubsauger und Zubehör

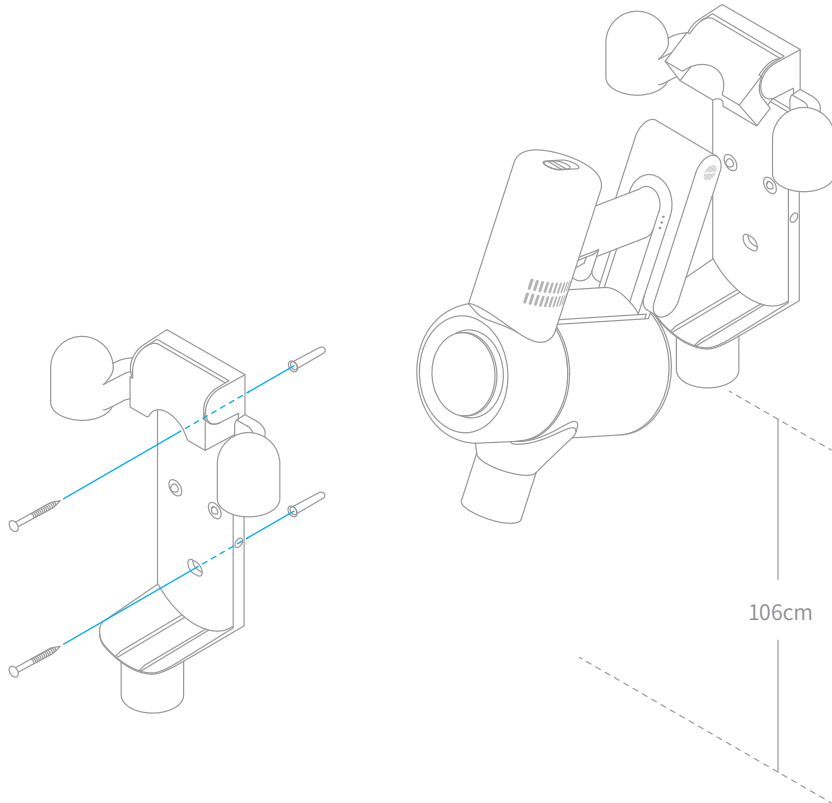
 Hineinstecken, bis ein Klick ertönt



# Installation

## Installation der 2-in-1 Lade- und Aufbewahrungshalterung

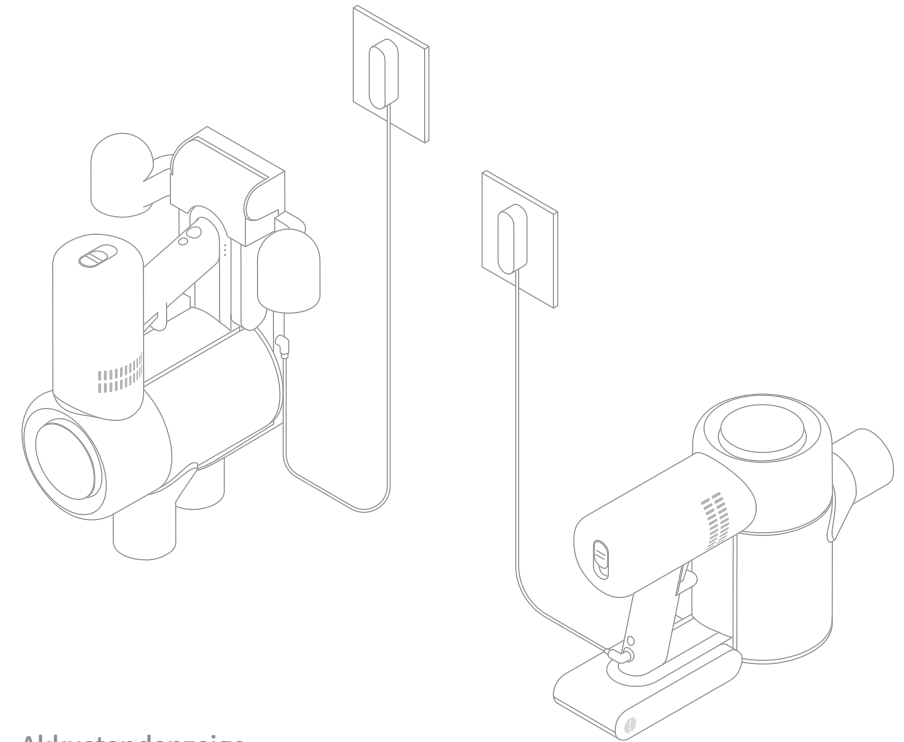
1. Die 2-in-1 Lade- und Aufbewahrungshalterung ist ein optionales Zubehörteil, das Sie nach Ihrem persönlichen Bedarf montieren können.
2. Die Halterung sollte an einem kühlen, dunklen Platz in der Nähe einer Steckdose installiert werden, an einem Ort ohne Sonneneinstrahlung und nicht in der Nähe feuchter Bereiche (z. B. Küche).
3. Verwenden Sie je nach Art der Wand entsprechende Befestigungsmittel, um die Halterung sicher zu befestigen. Stellen Sie sicher, dass sich im Installationsbereich keine Leitungen (wie Gas, Wasser, Luft, Elektrizität, Abflüsse) befinden.
4. Es wird empfohlen, die Halterung von einem Fachmann montieren zu lassen oder andernfalls entsprechend Schutzkleidung und Schutzbrille zu tragen sowie andere Schutzmaßnahmen zu ergreifen.
5. Nachdem Sie die Löcher an der Wand entsprechend markiert haben, bohren Sie mit einer elektrischen Bohrmaschine zwei Löcher mit einem Durchmesser von 8 mm und einer Tiefe von etwa 30 mm. Stecken Sie die Dübel in die Löcher, positionieren Sie die Halterung und befestigen Sie diese mit den beigegeführten Schrauben an der Wand.



# Benutzung

## Hinweis:

1. Laden Sie den Staubsauger vor dem ersten Einsatz bitte vollständig auf. Das nimmt etwa 4 Stunden in Anspruch.
2. Der Staubsauger kann während des Ladens nicht benutzt werden.
3. Wenn Sie über längere Zeit im Turbomodus Staub saugen, kann dies zur Erhitzung des Akkus führen, was eine längere Ladezeit zur Folge hat. Lassen Sie daher den Staubsauger vor dem Aufladen 30 Minuten abkühlen.



## Akkustandanzeige

● Aus ☀️ Blinken ○ Ein

● ● ☀️ Niedriger Akkuladestatus ○ ○ ○ Voll aufgeladen

● ☀️ ○ Akkuladestatus 50 %

● ● ● Voll aufgeladen

☀️ ○ ○ Fast voll

Hinweis: Wenn der Staubsauger voll geladen ist, schaltet sich die Anzeige nach 5 Minuten ab und das Gerät wird in den Energieeinsparmodus versetzt.

Bitte lesen Sie die Sicherheitshinweise in diesem Benutzerhandbuch, bevor Sie fortfahren.

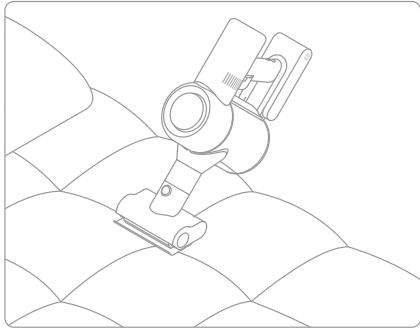


# Benutzung

## Benutzung verschiedener Zubehörteile

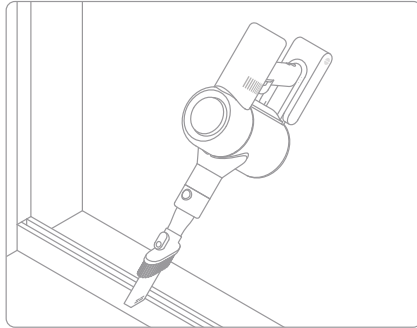
### Elektrische Milbenbürste:

Durch starke Vibrationen können Matratzen und andere Textiloberflächen gründlich von Milben und Staub gereinigt werden.



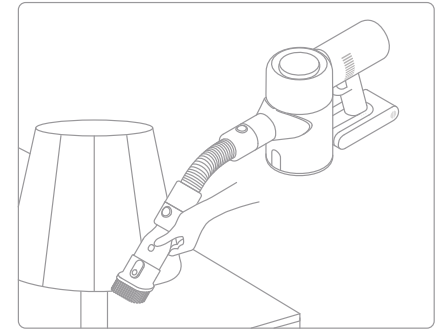
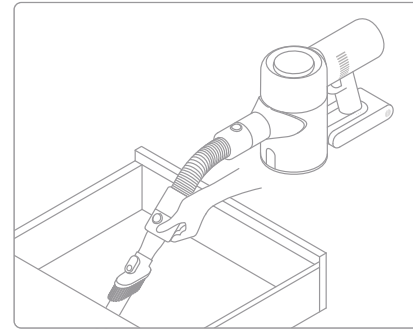
### 2-in-1 Spaltendüse:

Geeignet für das Saugen in Spalten, in Ecken von Türen und Fenstern, auf Treppen und an anderen schwer zugänglichen Stellen.



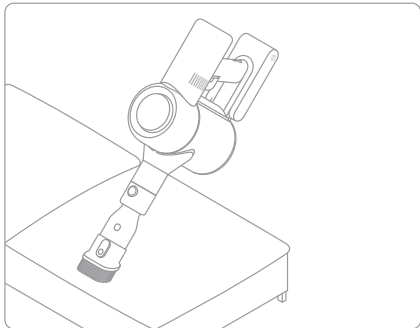
### Stretchbarer, weicher Schlauch:

für die schwer zugängliche Eckenreinigung verwenden.



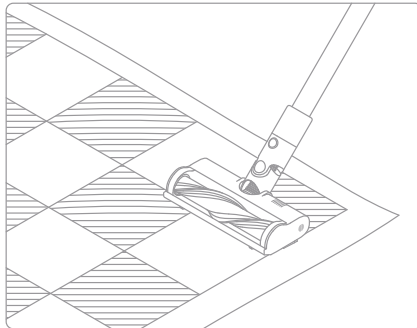
### 2-in-1 Bürstendüse:

Geeignet für das Aufsaugen von Staub und Milben aus Betten, Sofas und anderen Möbeltextilien.



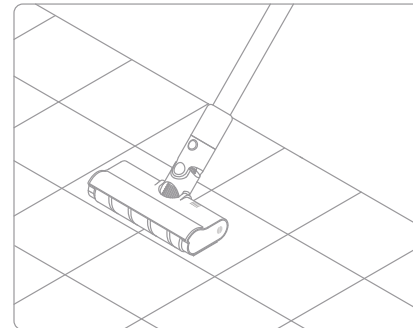
### Teppichroller:

Geeignet zum Saugen auf einem Teppich



### Weiche Bürstenrolle:

Geeignet für das Saugen von harten Oberflächen wie Fußböden, Fliesen, Marmor und zum Aufsaugen von größeren Schmutzpartikeln. Die weiche Bürstenrolle kann auch direkt mit dem Staubsauger verbunden werden.



### Hinweis:

1. Falls sich rotierende Teile verklemmen, kann es zu einer automatischen Abschaltung des Staubsaugers kommen. Entfernen Sie in diesem Fall eingeklemmte Fremdoobjekte und fahren Sie anschließend mit der Benutzung fort.
2. Bei einer Überhitzung des Motors schaltet sich der Staubsauger automatisch ab. Warten Sie, bis der Motor abgekühlt ist und setzen Sie dann die Benutzung fort.

# Pflege und Wartung

## Tipps:

1. Verwenden Sie stets Originalteile, um ein Erlöschen der Garantie zu vermeiden.
2. Falls der Filter oder die Düse verstopft sind, wird der Staubsauger kurz nach Einschalten den Betrieb einstellen. Um die Funktion wiederherzustellen, müssen Sie den Filter oder die Düse reinigen.
3. Falls Sie den Staubsauger für längere Zeit nicht nutzen wollen, ziehen Sie das Stromkabel aus der Steckdose und bewahren Sie das Gerät an einem kühlen, trockenen Ort ohne direkte Sonneneinstrahlung auf. Um eine Tiefentladung des Akkus zu vermeiden, sollte der Staubsauger mindestens alle drei Monate geladen werden.

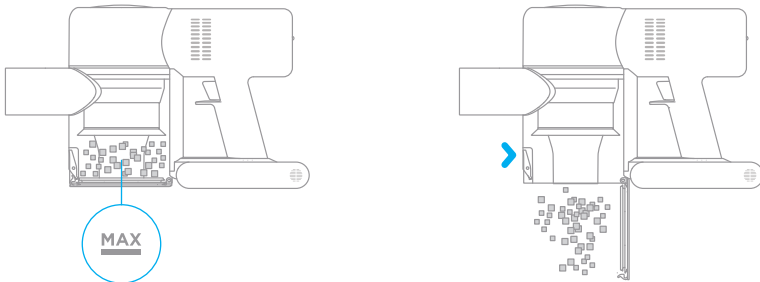
## Reinigen des Staubsaugers

Reinigen Sie den Staubsauger mit einem weichen trockenen Tuch.

## Den Staubbehälter reinigen

Bevor Sie den Staubbehälter reinigen, müssen Sie ihn vom Ladegerät trennen und den Schalter des Staubsaugers auf „Aus“ schalten. Die Saugleistung des Staubsaugers wird gemindert, wenn das Staubfach bis zur Markierung „MAX“ gefüllt ist. Um die volle Leistung wiederherzustellen, müssen Sie das Staubfach leeren.

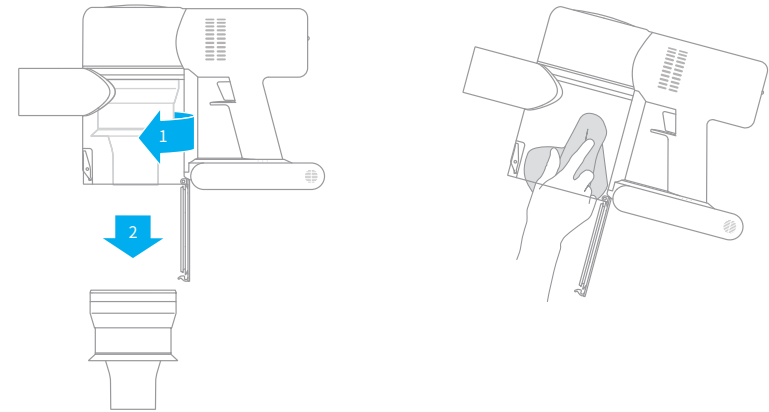
Um das Staubfach zu leeren: Drücken Sie die Freigabetaste auf der Unterseite des Staubfachs und leeren Sie seinen Inhalt.



# Pflege und Wartung

## Reinigung der Cyclone-Baugruppe

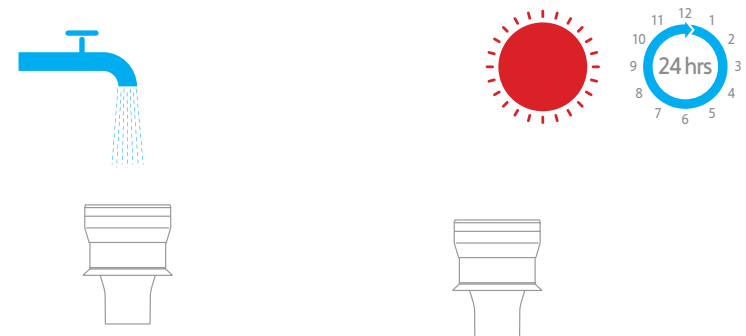
1. Drehen Sie die Cyclone-Baugruppe in die angegebene Richtung, um die Verriegelung zu lösen. Entfernen Sie die Cyclone-Baugruppe.



2. Spülen Sie die Cyclone-Baugruppe mit Wasser, bis sie sauber ist. Um eine gründliche Trocknung der Cyclone-Baugruppe zu gewährleisten, sollten Sie diese an einem gut belüfteten oder trockenen Ort für mindestens 24 Stunden aufbewahren.

Achtung: die Cyclone Baugruppe darf nicht in einer Spülmaschine oder einer Waschmaschine gereinigt werden. Die Trocknung in einem Wäschetrockner, Ofen, einer Mikrowelle oder in der Nähe eines offenen Feuers ist ebenfalls verboten.

3. Nachdem die Cyclone-Baugruppe getrocknet ist, muss diese wieder montiert werden.

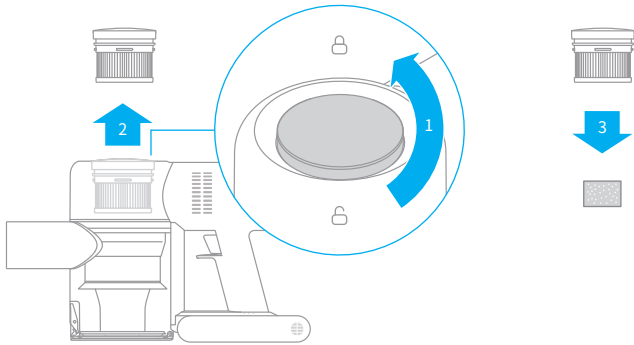


# Pflege und Wartung

## Reinigung der HEPA-Filtereinheit

1. Platzieren Sie den Staubsauger sicher auf einer flachen Oberfläche, drehen Sie die Abdeckung der HEPA-Filtereinheit in die angegebene Richtung und entfernen Sie die HEPA-Filtereinheit.

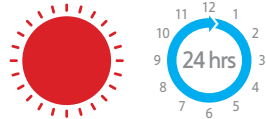
Achtung: Entfernen Sie das eingebaute Schaumpad, bevor Sie die HEPA-Filtereinheit reinigen. Spülen Sie den HEPA-Filter und das Schaumpad mit Wasser.



2. Spülen Sie den HEPA-Filter und das Schaumpad mit Wasser. Um sämtlichen im Filter enthaltenen Staub gründlich zu entfernen, drehen Sie den HEPA-Filter während des Spülvorgangs um 360 Grad. Tippen Sie den Filter wiederholt leicht gegen das Spülbecken, um Verschmutzungen zu lösen.

Bewahren Sie den HEPA-Filter an einem gut belüfteten und kühlen Ort auf, um eine vollständige Trocknung zu gewährleisten.

Hinweis: Der Filter sollte vor der erneuten Installation vollständig getrocknet werden (mindestens 24 Stunden).



# Pflege und Wartung

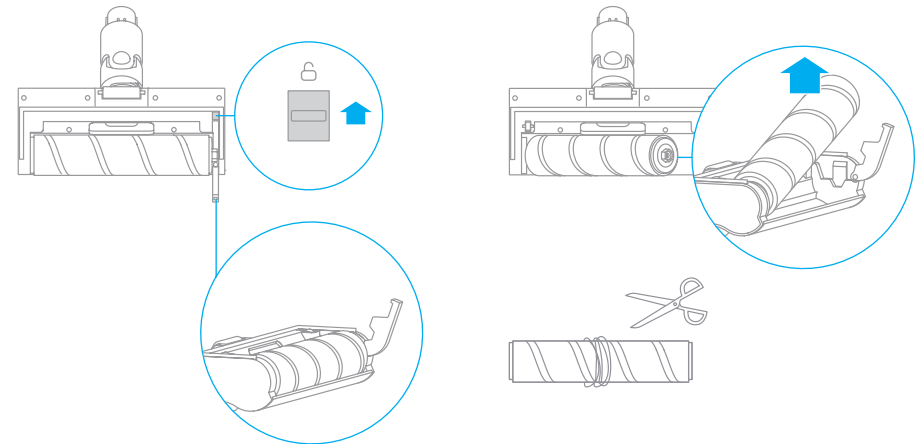
## Reinigung der weichen Bürstenrolle und der elektrischen Milbenbürste

Hinweis: Um eine Verletzung durch eine versehentliche Aktivierung des Staubsaugers zu vermeiden, müssen Sie vor der Demontage des Bürstenkopfes sicherstellen, dass die weiche Bürstenrolle bzw. die elektrische Milbenbürste zuerst vom Staubsauger entfernt worden ist. Die Milbenbürste und die weiche Bürstenrolle enthalten elektrische Komponenten und der Bürstenkopf der weichen Bürstenrolle enthält außerdem Lager. Diese Teile dürfen nicht mit Wasser in Kontakt gebracht werden. Achten Sie bei der Entfernung von Verschmutzungen aus dem Bürstenkopf der Milbenbürste und der weichen Bürstenrolle auf scharfe Objekte.

## Reinigung der weichen Bürstenrolle

1. Schieben Sie den Freigabeschalter der Bürstenrolle in die Pfeilrichtung bis sich die Abdeckung der Bürstenrolle öffnet. Entfernen Sie anschließend den Bürstenkopf, indem Sie ihn in die angegebene Richtung heben.

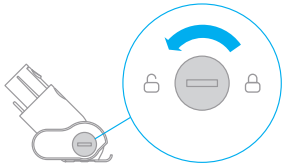
2. Nachdem Sie die weiche Bürstenrolle gereinigt haben, montieren Sie diese wieder, indem Sie die Schritte zum Ausbau in umgekehrter Reihenfolge ausführen.



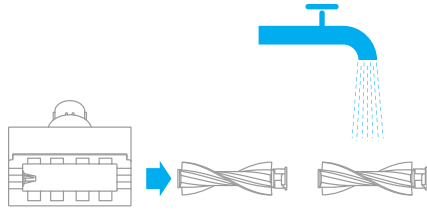
# Pflege und Wartung

## Reinigung der elektrischen Milbenbürste

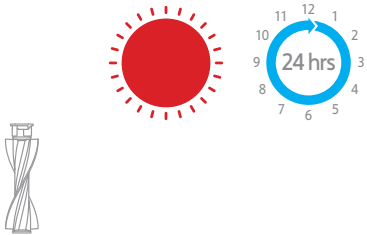
1. Drehen Sie mit Hilfe einer Münze die Verriegelung gegen den Uhrzeigersinn bis zum Klick (siehe Abbildung).



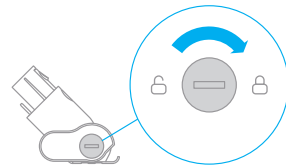
2. Nachdem Sie den Bürstenkopf entriegelt haben, entfernen Sie ihn von der elektrischen Milbenbürste. Spülen und reinigen Sie den Bürstenkopf.



3. Der Bürstenkopf sollte für mindestens 24 Stunden aufrecht an einem gut belüfteten Ort stehen, bis er vollständig getrocknet ist.



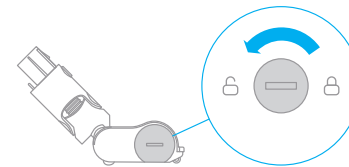
4. Nachdem die weiche Bürstenrolle getrocknet ist, montieren Sie diese erneut, indem Sie diese Schritte in umgekehrter Reihenfolge durchführen.



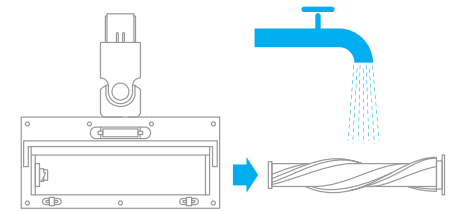
# Pflege und Wartung

## Reinigen des Teppichrollers

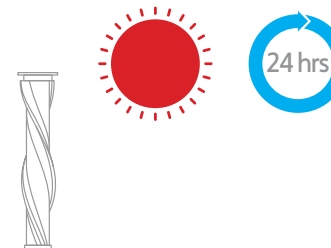
1. Drehen Sie die Sicherungsschraube mit einer Münze bis sie einrastet, wie in der Abbildung dargestellt.



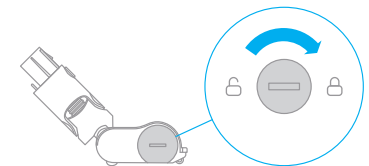
2. Nach dem Entriegeln des Bürstenkopfs, entnehmen Sie diesen vom Teppichroller, spülen und reinigen Sie dann den Bürstenkopf.



3. Der Bürstenkopf sollte für mindestens 24 Stunden aufrecht an einem gut belüfteten Ort stehen, bis er vollständig getrocknet ist.



4. Nachdem die weiche Bürstenrolle getrocknet ist, montieren Sie diese erneut, indem Sie diese Schritte in umgekehrter Reihenfolge durchführen.



# Инструкции по технике безопасности

Во избежание несчастных случаев, включая поражение электрическим током и возгорание в результате неправильного использования, внимательно прочтите это руководство перед использованием устройства и сохраните его на будущее для справки.

## Осторожно

Дети старше 8 лет и люди с ограниченными физическими, сенсорными и умственными способностями, а также лица с недостаточным опытом и знаниями могут использовать данный продукт под присмотром родителя или опекуна, который может обеспечить безопасную эксплуатацию и предотвратить опасности. Дети не должны чистить устройство и выполнять другие действия по уходу за ним без присмотра взрослых.

Пылесос не игрушка. Дети не должны играть с устройством или использовать его. Будьте осторожны при использовании пылесоса рядом с детьми. Не разрешайте детям чистить устройство и выполнять другие действия по уходу за ним без присмотра родителя или опекуна.

Не используйте пылесос на улице или на влажных поверхностях. Используйте его только на сухих поверхностях в помещении. Не прикасайтесь к розетке или любой части пылесоса влажными руками.

Чтобы снизить риски возгорания, взрыва или травмирования, перед использованием убедитесь, что литиевый аккумулятор и адаптер питания не повреждены. В случае обнаружения повреждений не используйте пылесос.

Щетка с мягким валиком, аккумулятор, металлический соединительный штифт и пылесос проводят электричество, поэтому их не следует погружать в воду или другую жидкость. Сушите все фильтры после чистки.

Чтобы избежать травмирования движущимися частями, отключите пылесос перед очисткой щетки с мягким валиком. Перед использованием пылесоса следует правильно установить щетку с мягким валиком, отсек для пыли и фильтр.

Используйте только оригинальное зарядное устройство. Никогда не используйте неоригинальное зарядное устройство, поскольку это может привести к возгоранию литиевого аккумулятора.

Не используйте пылесос для сбора легковоспламеняющихся и горючих жидкостей, таких как бензин, отбеливатели, аммиак, очистители труб и т. д.

Не используйте пылесос для сбора частиц гипсокартона, пепла (например, от камина) и дымящихся или горящих материалов (например, угля, окурков или спичек).

Не используйте пылесос для сбора острых и твердых предметов, таких как стекло, гвозди, винты или монеты, которые могут повредить устройство.

Не допускайте попадания волос, свободной одежды, пальцев и других частей тела в отверстия и движущиеся части пылесоса. Не направляйте шланг, трубку или инструменты в сторону глаз или ушей и не кладите их себе в рот.

Не кладите предметы в отверстия пылесоса. Не используйте пылесос, если какое-либо отверстие заблокировано. Не допускайте попадания пыли, пуха, волос или других предметов, которые могут уменьшить поток воздуха.

Не оставляйте пылесос на стуле, столе или других неустойчивых поверхностях, поскольку это может стать причиной повреждения устройства или травмы. Если пылесос был поврежден в результате падения или имеет другую неисправность, обратитесь в наш авторизованный сервисный центр. Не пытайтесь разобрать устройство самостоятельно.

Необходимо строго следовать всем инструкциям по зарядке аккумулятора, описанным в этом руководстве. Неправильная зарядка аккумулятора вне указанного температурного диапазона может стать причиной его повреждения.

Используйте только одобренные компанией Dreame принадлежности и сменные детали.

Не используйте пылесос, если в него не установлены чистый отсек для пыли и фильтр.

Убедитесь, что пылесос отключен, если он не используется в течение длительного периода времени, а также перед выполнением какого-либо обслуживания или ремонта.

Будьте особенно осторожны при использовании пылесоса на лестнице.

Не устанавливайте, не заряжайте и не используйте это устройство на улице, в ванных комнатах и на территории вокруг бассейна.

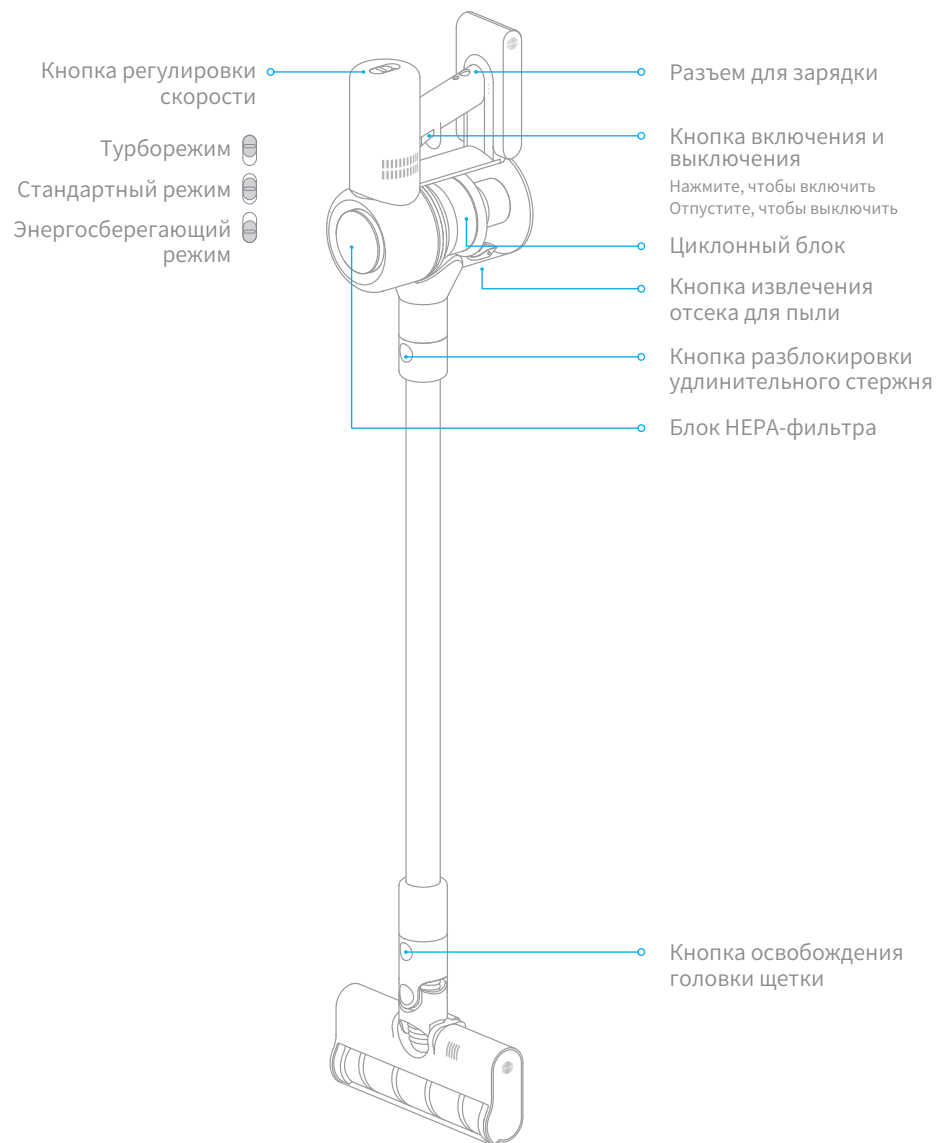
Опасность возгорания. Не используйте ароматизаторы для фильтра пылесоса. Данный тип продуктов содержит легковоспламеняющиеся химикаты, которые могут стать причиной возгорания пылесоса.

Это устройство создано исключительно для бытового использования.

Мы, компания Dreame Technology (Tianjin) Limited, настоящим заявляем, что данное оборудование соответствует требованиям всех действующих директив ЕС и европейских стандартов с изменениями и дополнениями. Полный текст декларации о соответствии нормативным требованиям ЕС доступен по следующему адресу: [www.dreame.tech](http://www.dreame.tech)

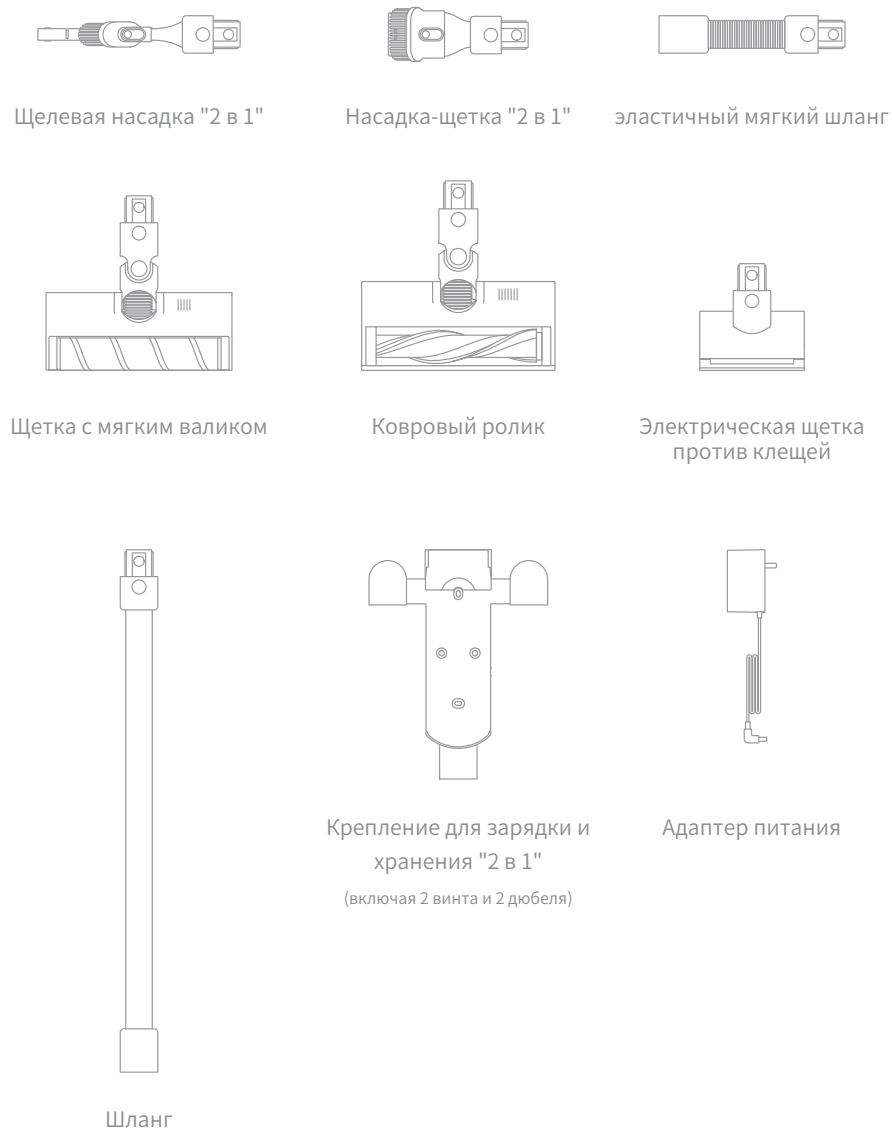
# Обзор устройства

## Наименования деталей



# Обзор устройства

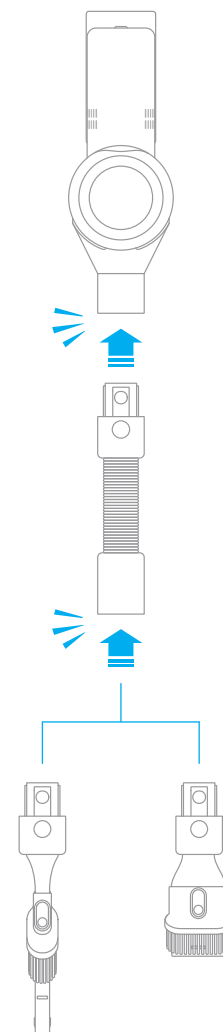
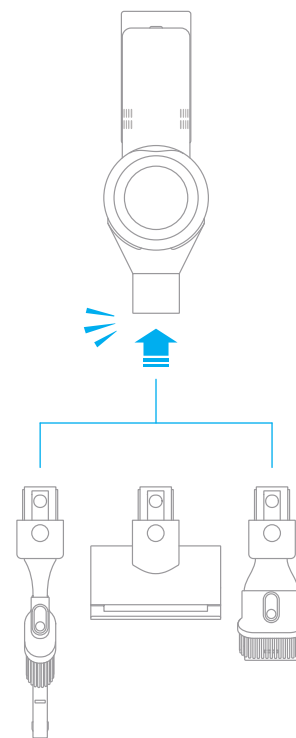
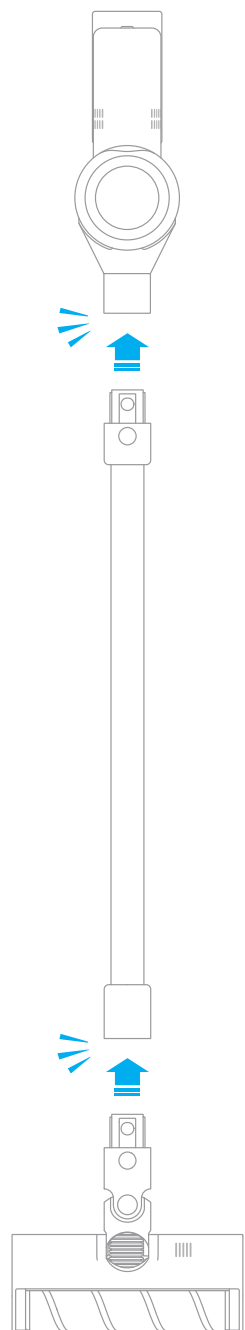
## Аксессуары



# Установка

## Схема установки пылесоса и аксессуаров

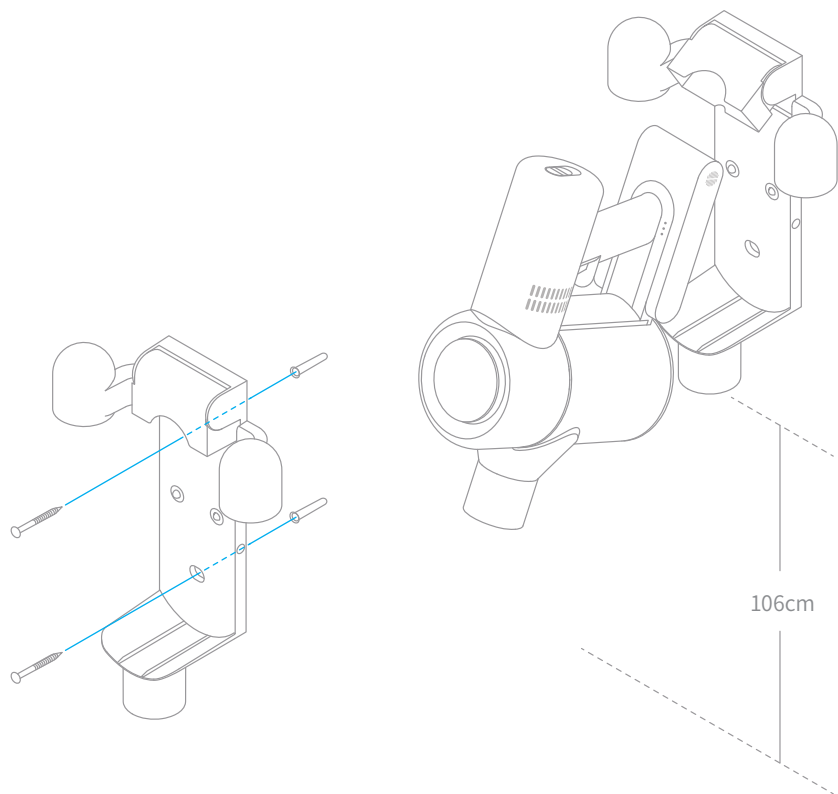
 Вставляйте, пока не услышите щелчок



# Установка

## Установка крепления для зарядки и хранения "2 в 1"

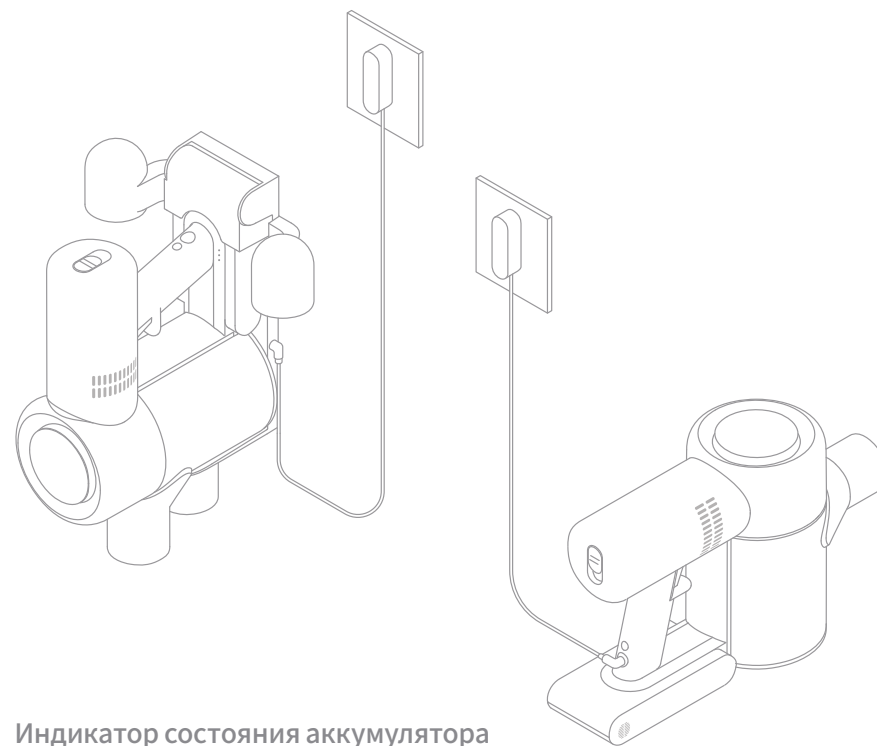
1. Крепление для зарядки и хранения "2 в 1" — это дополнительный аксессуар, который можно установить при необходимости.
2. Крепление следует устанавливать в сухом прохладном месте, рядом с розеткой, вдали от прямых солнечных лучей и подверженных воздействию влаги областей, таких как кухня.
3. Надежно установите крепление с помощью подходящего для выбранного типа стены монтажного оборудования. Убедитесь, что в области установки нет газовых и водопроводных труб, вентиляционных шахт, электрических проводов, кабелей или дренажных труб.
4. Для установки крепления рекомендуется нанять профессионала и при необходимости использовать защитную одежду, защитные очки и другое защитное оборудование.
5. С помощью электрической дрели отметьте и просверлите в нужном месте на стене два отверстия диаметром 8 мм и глубиной около 30 мм. Вставьте дюбели в отверстия, установите крепление и прикрепите его к стене винтами из комплекта.



# Инструкция

## Примечание.

1. Перед первым использованием полностью зарядите пылесос. Это займет около 4 часов.
2. Не используйте пылесос во время зарядки.
3. Продолжительное использование пылесоса в турборежиме приводит к нагреванию аккумулятора и увеличению времени зарядки. Подождите 30 минут, чтобы пылесос остыл, прежде чем заряжать его.



## Индикатор состояния аккумулятора

● Выкл. ☀ Мигание ○ Вкл.

● ● ☀ Низкий уровень заряда аккумулятора

● ☀ ○ Средний уровень заряда аккумулятора

☀ ○ ○ Почти полный уровень заряда аккумулятора

○ ○ ○ Полный уровень заряда аккумулятора

● ● ● Полный уровень заряда аккумулятора

Примечание. Индикатор погаснет через 5 минут после полной зарядки аккумулятора, а пылесос перейдет в энергосберегающий режим.

Прежде чем приступить к работе, прочтите инструкции по технике безопасности в этом руководстве пользователя.

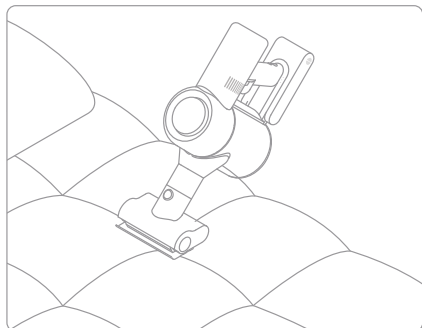


# Инструкция

## Использование разных насадок

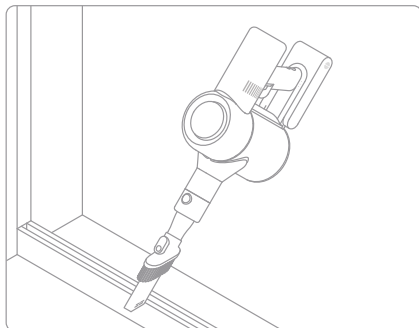
### Электрическая щетка против клещей:

сильные вибрации обеспечивают глубокое очищение для удаления клещей и пыли с матрасов и тканевых поверхностей.



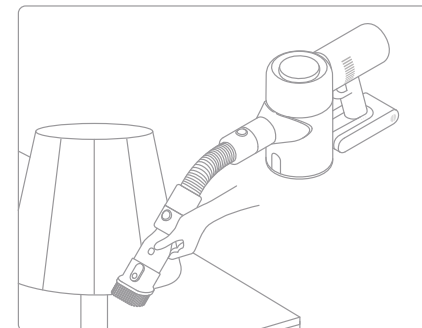
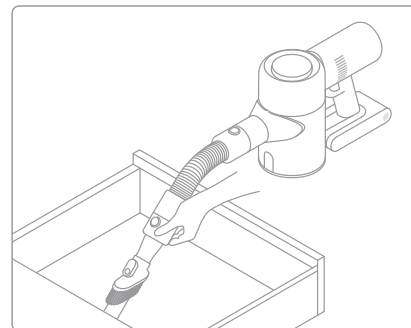
### Щелевая насадка "2 в 1":

подходит для уборки в трещинах, углах дверей и окон, на лестницах и в других труднодоступных местах.



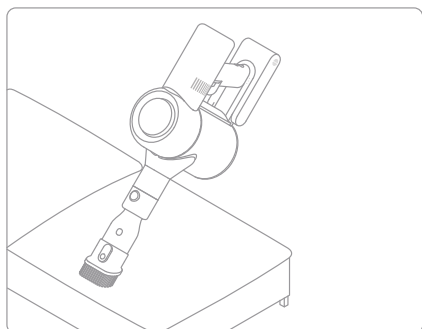
### эластичный мягкий шланг:

используйте для очистки труднодоступных углов.



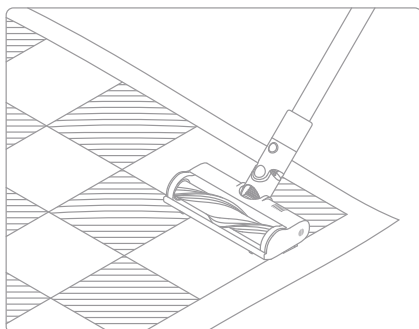
### Насадка-щетка "2 в 1":

подходит для уборки пыли и клещей с кроватей, диванов и другой мебельной ткани.



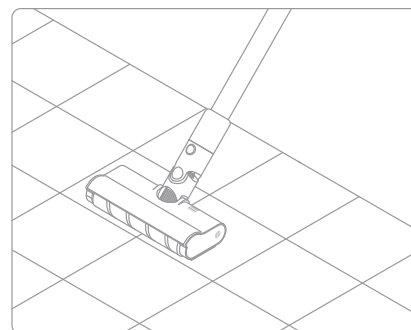
### Ковровый ролик:

Подходит для уборки пылесосом на ковре



### Щетка с мягким валиком:

подходит для уборки твердых поверхностей, таких как пол, плитка, мрамор, а также для уборки крупных кусков грязи и мусора. Кроме того, щетку с мягким валиком можно прикрепить прямо к пылесосу.



### Примечание.

Если какая-либо из вращающихся частей застрянет, пылесос может автоматически выключиться. Чтобы продолжить использование, удалите все посторонние предметы.

Пылесос автоматически выключится, когда двигатель перейдет в режим защиты от перегрева. Подождите, пока температура двигателя нормализуется, прежде чем продолжить использование.

# Уход и техническое обслуживание

## Советы.

1. Используйте оригинальные запчасти, иначе гарантия может быть аннулирована.
2. Если фильтр или насадка засорены, пылесос прекратит работать сразу после включения. Очистите фильтр или насадку, чтобы продолжить работу.
3. Если пылесос не будет использоваться в течение длительного периода времени, отключите адаптер питания от розетки при полной зарядке и храните его в прохладной среде с низким уровнем влажности вдали от прямых солнечных лучей. Чтобы избежать повреждения аккумулятора из-за чрезмерной разрядки, подзаряжайте пылесос не реже одного раза в 3 месяца.

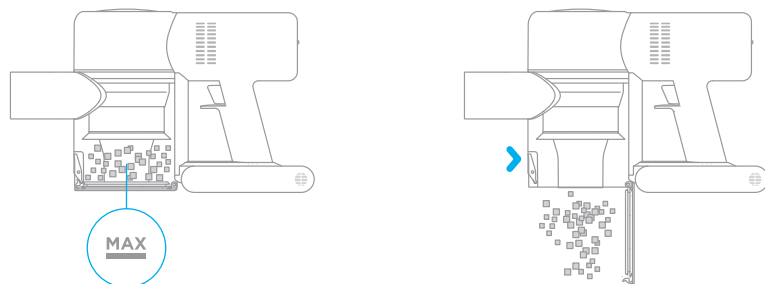
## Чистка пылесоса

Протрите пылесос мягкой сухой тканью.

## Очистка отсека для пыли

Отсоедините адаптер питания и переключите выключатель питания пылесоса в положение "Выкл.". Работа пылесоса ухудшится, когда отсек для пыли будет заполнен до отметки "MAX". Очистите отсек для пыли, чтобы восстановить нормальную работу.

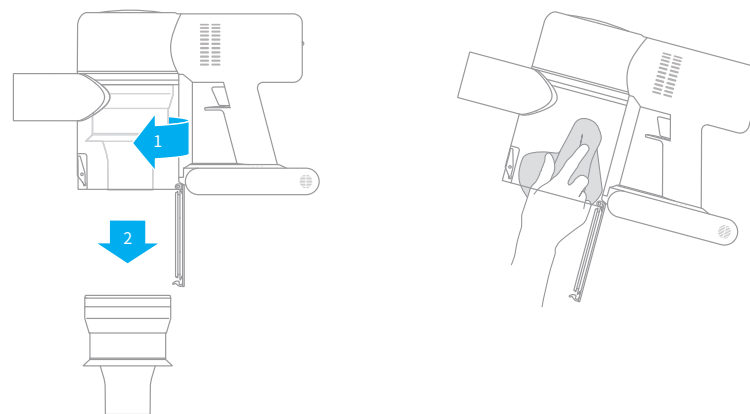
Чтобы очистить отсек для пыли, нажмите кнопку извлечения в нижней части отсека, а затем опустошите его содержимое.



# Уход и техническое обслуживание

## Очистка циклонного блока

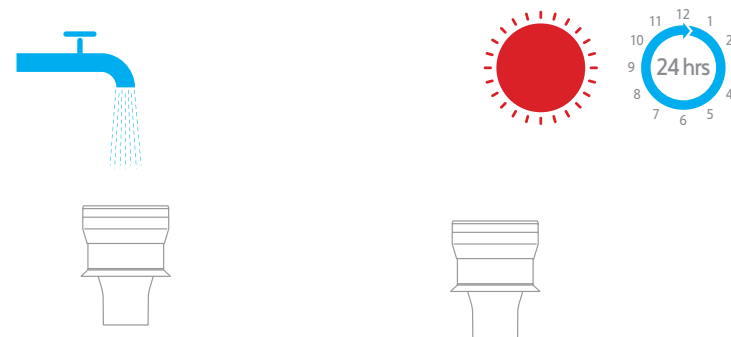
1. Поверните циклонный блок в указанном направлении, чтобы разблокировать, а затем снимите его.



2. Промывайте циклонный блок водой, пока он не станет чистым. Чтобы тщательно просушить циклонный блок, оставьте его в прохладном, хорошо проветриваемом помещении по крайней мере на 24 часа.

Внимание! Не мойте циклонный блок в посудомоечной или стиральной машине, не пытайтесь сушить его в сушилке, печи, микроволновой печи или у открытого огня.

3. Когда циклонный блок высохнет, установите его на место.

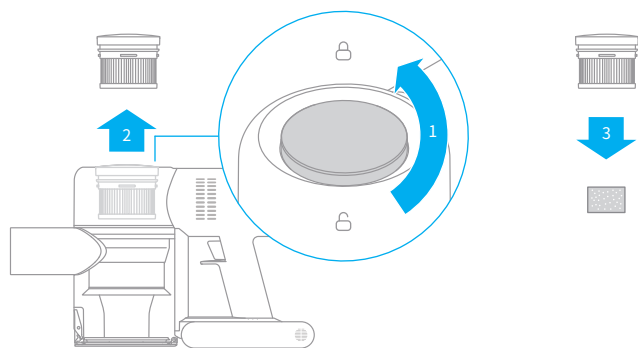


# Уход и техническое обслуживание

## Очистка блока HEPA-фильтра

1. Поместите пылесос на безопасную, ровную поверхность, затем поверните крышку блока HEPA-фильтра в указанном направлении и снимите его.

Примечание. Перед очисткой блока HEPA-фильтра снимите встроенную пенопластовую прокладку. Промойте HEPA-фильтр и пенопластовую прокладку водой.



2. Промойте HEPA-фильтр и пенопластовую прокладку водой. Чтобы тщательно удалить всю забившуюся пыль, во время мытья поворачивайте HEPA-фильтр по кругу. Слегка постучите фильтром по раковине несколько раз, чтобы удалить оставшийся мусор. Оставьте HEPA-фильтр в прохладном, хорошо проветриваемом месте, чтобы он полностью высох.

Примечание. Полностью высушите фильтр (в течение по крайней мере 24 часов) перед тем, как установить его на место.



# Уход и техническое обслуживание

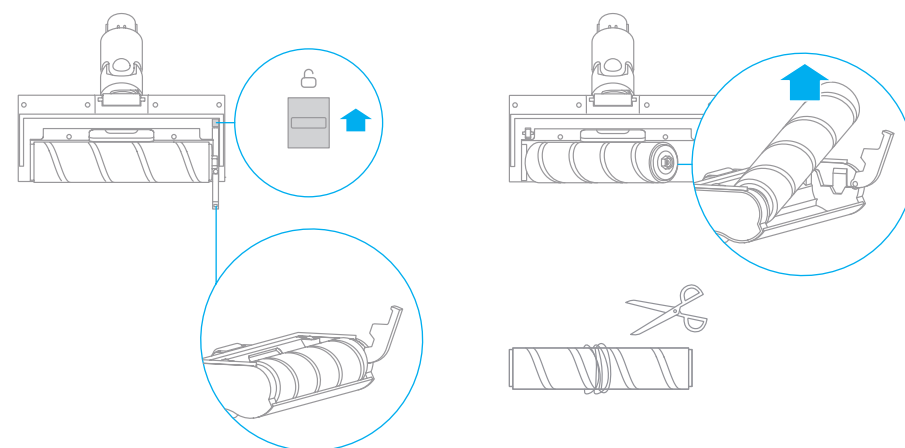
## Очистка щетки с мягким валиком и электрической щетки против клещей

Примечание. Во избежание травм, вызванных случайным включением пылесоса, прежде чем снимать головку, убедитесь, что щетка с мягким валиком или электрическая щетка против клещей отсоединены от пылесоса. Щетка против клещей и щетка с мягким валиком содержат электрические компоненты, а головка щетки с мягким валиком также содержит подшипники. Не промывайте эти детали водой. Остерегайтесь острых предметов при удалении мусора, попавшего в головки щетки против клещей и щетки с мягким валиком.

## Очистка щетки с мягким валиком

1. Нажмите кнопку извлечения головки щетки в указанном стрелкой направлении и удерживайте, пока крышка головки щетки не откроется, затем снимите ее, подняв в указанном направлении.

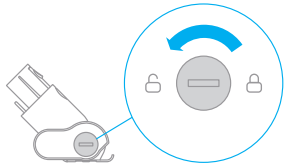
2. Чтобы установить щетку с мягким валиком на место после завершения очистки, выполните этапы разборки в обратном порядке.



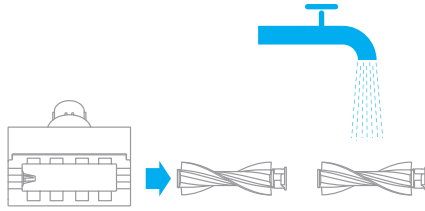
# Уход и техническое обслуживание

## Очистка электрической щетки против клещей

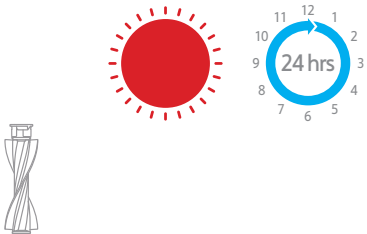
1. С помощью монетки (как показано на рисунке) поверните замок против часовой стрелки до щелчка.



2. Разблокировав головку щетки, снимите ее с электрической щетки против клещей, а затем промойте и почистите.



3. Оставьте головку щетки в вертикальном положении в хорошо проветриваемом помещении по крайней мере на 24 часа, чтобы она полностью высохла.



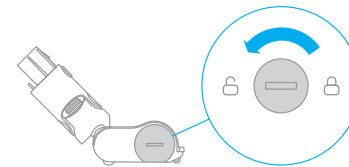
4. Когда щетка высохнет, установите ее на место, выполнив этапы разборки в обратном порядке.



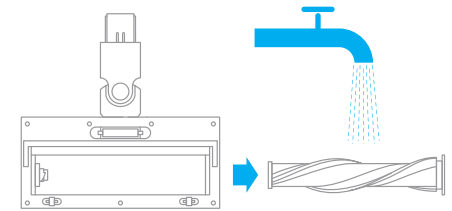
# Уход и техническое обслуживание

## Очистите ковровый ролик

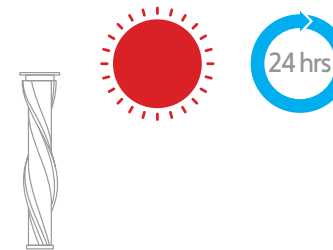
1. Поверните стопорный винт, как показано на схеме, штепелем до щелчка.



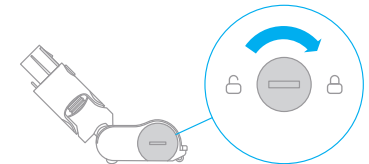
2. После разблокировки головки щетки снимите ее с коврового ролика, затем промойте и почистите головку щетки.



3. Оставьте головку щетки в вертикальном положении в хорошо проветриваемом помещении по крайней мере на 24 часа, чтобы она полностью высохла.



4. Когда щетка высохнет, установите ее на место, выполнив этапы разборки в обратном порядке.



Falls der Staubsauger nicht korrekt funktionieren sollte, beachten Sie bitte die folgende Tabelle, um eine Problemlösung zu finden.

Fehler	Mögliche Ursachen	Lösungen
Staubsauger funktioniert nicht	Der Akku des Staubsaugers ist leer oder fast leer.	Laden Sie den Staubsauger vollständig auf und versuchen Sie es erneut.
	Durch eine Blockade wurde der Überhitzungsschutz ausgelöst.	Warten Sie, bis der Staubsauger abgekühlt ist und versuchen Sie es dann erneut.
	Saugöffnung oder Luftöffnung sind blockiert.	Befreien Sie die Ansaugöffnung oder den Strömungsweg von etwaigen Hindernissen.
Schwache Saugleistung	Das Staubfach ist voll und/oder die HEPA-Filtereinheit ist verstopft.	Leeren Sie das Staubfach und reinigen Sie die HEPA-Filtereinheit.
	Das Zubehörteil ist blockiert.	Entfernen Sie Blockaden vom Zubehörteil.
Der Motor gibt ein merkwürdiges Geräusch ab	Die Hauptsaugöffnung oder das Verlängerungsrohr sind verstopft.	Entfernen Sie Verstopfungen aus der Hauptsaugöffnung oder dem Verlängerungsrohr.
Das erste Anzeigelicht ist nach Einschalten des Staubsaugers rot	Der Akku ist beschädigt.	Wenden Sie sich bitte zur Wartung an den Kundendienst.
Nach Einschalten des Staubsaugers blinkt das erste Anzeigelicht rot.	Das Ladegerät ist nicht kompatibel.	Benutzen Sie das Originalladegerät, um den Staubsauger aufzuladen.
Die Akkuanzeige leuchtet während des Ladevorgangs nicht auf	Das Ladegerät ist nicht mit dem Staubsauger verbunden.	Vergewissern Sie sich, dass das Ladegerät korrekt angeschlossen ist.
	Der Akku ist vollständig geladen und ist in den Energiesparmodus gewechselt.	Kann normal genutzt werden.
	Falls das Problem fortbesteht, nachdem Sie diese zwei Möglichkeiten ausgeschlossen haben,	Wenden Sie sich bitte zur Wartung an den Kundendienst.
Ladevorgang ist sehr langsam	Die Temperatur des Akkus ist zu hoch oder zu niedrig.	Warten Sie, bis die Akkutemperatur sich normalisiert hat und setzen Sie dann die Benutzung fort.

Dieses Produkt enthält Akkus, die nur von qualifizierten Technikern oder dem Kundendienst ausgewechselt werden können.

Dieses Produkt enthält Akkus, die nicht ausgewechselt werden können.

## WEEE-Informationen



Alle mit diesem Symbol gekennzeichneten Produkte sind Elektroschrott und Elektrogeräte (WEEE entsprechend EU-Richtlinie 2012/19/EU) und dürfen nicht mit unsortiertem Haushaltsmüll vermischt werden. Schützen Sie stattdessen Ihre Mitmenschen und die Umwelt, indem Sie Ihre zu entsorgenden Geräte an eine dafür vorgesehene, von der Regierung oder einer lokalen Behörde eingerichtete Sammelstelle zum Recycling von Elektroschrott und Elektrogeräten bringen. Eine ordnungsgemäße Entsorgung und Recycling helfen, negative Auswirkungen auf die Gesundheit von Umwelt und Menschen zu vermeiden. Wenden Sie sich bitte an den Installateur oder lokale Behörden, um Informationen zum Standort und den allgemeinen Geschäftsbedingungen solcher Sammelstellen zu erhalten.

## Вопросы и ответы

Если пылесос не работает должным образом, см. приведенную ниже таблицу устранения неполадок.

Ошибки	Возможные причины	Решения
Пылесос не работает	Пылесос разряжен или имеет низкий уровень заряда аккумулятора.	Полностью зарядите пылесос, а затем продолжите использование.
	Режим защиты от перегрева активирован из-за засорения.	Подождите, пока пылесос остынет, а затем повторно активируйте его.
	Заблокировано отверстие для всасывания или вентиляционный канал.	Очистите отверстие для всасывания или вентиляционный канал от мусора.
Слабая мощность всасывания	Отсек для пыли заполнен или засорен блок HEPA-фильтра.	Опустошите отсек для пыли и очистите блок HEPA-фильтра.
	Насадка заблокирована.	Очистите насадку от мусора.
Двигатель издает странный шум	Основное отверстие для всасывания или шланг заблокированы.	Очистите основное отверстие для всасывания или шланг от мусора.
Первый индикатор горит красным после включения пылесоса	Аккумулятор поврежден.	Обратитесь за помощью в отдел послепродажного обслуживания.
Первый индикатор мигает красным после включения пылесоса.	Адаптер питания несовместим с устройством.	Используйте только оригинальный адаптер питания, чтобы заряжать пылесос.
Индикатор состояния аккумулятора не горит во время зарядки	Адаптер не подключен к пылесосу.	Убедитесь, что адаптер питания подключен правильно.
	Аккумулятор полностью заряжен и перешел в спящий режим.	Устройство можно использовать.
	Если проблема не устраняется после исключения двух вышеупомянутых возможных причин,	Обратитесь за помощью в отдел послепродажного обслуживания.
Устройство заряжается медленно	Слишком низкая или слишком высокая температура аккумулятора.	Подождите, пока температура аккумулятора нормализуется, а затем продолжите использование.

Данное устройство содержит аккумуляторы, которые должны заменять только квалифицированные специалисты или специалисты отдела послепродажного обслуживания.

Данное устройство содержит незаменимые аккумуляторы.

## Информация об утилизации и переработке отходов электрического и электронного оборудования



Все изделия, обозначенные символом отдельного сбора отработанного электрического и электронного оборудования (WEEE, директива 2012/19/EU), следует утилизировать отдельно от несортируемых бытовых отходов. С целью охраны здоровья и защиты окружающей среды такое оборудование необходимо сдавать на переработку в специальные пункты приема электрического и электронного оборудования, определенные правительством или местными органами власти. Правильная утилизация и переработка помогут предотвратить возможные негативные последствия для окружающей среды и здоровья человека. Чтобы узнать, где находятся такие пункты сбора и как они работают, обратитесь в компанию, занимающуюся установкой оборудования, или в местные органы власти.